

MINI DIAPHRAGM VACUUM PUMP LABOPORT® N 86 KT.18

DATA SHEET E 210



Technical features

- 100 % oil-free transfer – thereby pure transferring, evacuation and compression of gases
- Extremely low footprint
- PTFE-coated diaphragm is ideal for aggressive/ corrosive gases and vapors
- Environmentally friendly

Technical data

Flow rate [m ³ /h] at atm. pressure	0.33
Flow rate [l/min] at atm. pressure	5.5
Ultimate vacuum [mbar abs.]	160
Operating pressure [bar]	2.5
Voltage [V]	230
Frequencies [Hz]	50
Motor protection	IP 20
Power P ₁ [W]	60
Operating current [A]	0.6
With thermal switch and power fuse	
Motors with other voltages and frequencies on request	

MATERIALS

Pump head	PPS
Diaphragm	PTFE-coated
Valves	FFPM

OTHER DATA

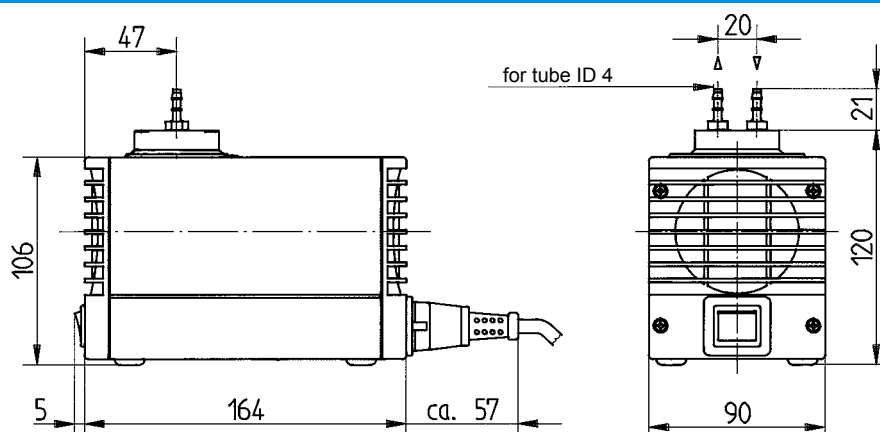
Weight [kg]	1.9
Hose connections	ID 4
Dimensions W x H x D [mm]	90 x 141 x 164
Permissible media and ambient temperature [°C]	+5 ... +40

ACCESSORIES

ACCESSORIES	ID
Silencer	000345
Hose connector G 1/8, ID 4, PVDF	025671
G 1/8, ID 6, PVDF	123363
G 1/8, ID 4, PA	001936
G 1/8, ID 6, PA	000360
G 1/8, ID 8, PA	004975
Fine control valve with pressure gauge	001786
Fine control valve with vacuum gauge	001787
Spares kit	043242

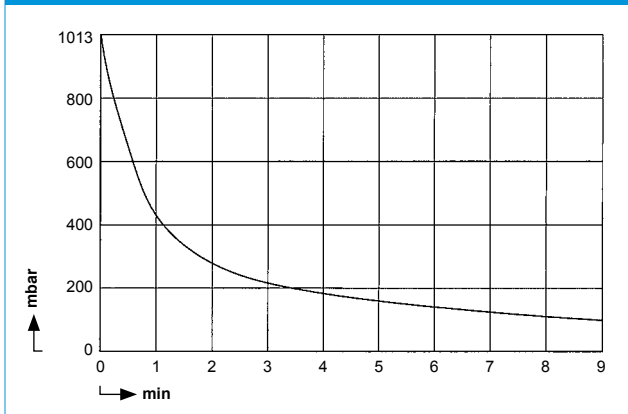
Dimensions

N 86 KT.18



Performance characteristics

PUMP DOWN TIME FOR 5 LITER VESSEL



FLOW CAPACITY

