

# ROTARY EVAPORATOR RC 600

DATA SHEET E 401



## Technical features

- Central control unit for all functions
- Fast and easy change of the flask
- Automatic lift up of the flask in case of power outage
- Operating display of heating bath

## Technical data

### MATERIAL FOR PARTS CONTACTING THE MEDIA

Glass parts	Borosilicate glass
Vapor tube seal	PTFE-compound
Refilling valve's fitting	PP
Fitting seal	Silicone
Plugs seal	PTFE-coated

### COOLANT LINE MATERIAL

Fitting on condenser	PP
Fitting seal	Silicone

### VACUUM LINE MATERIAL

Fitting on condenser	PP
----------------------	----

### ELECTRICAL PARAMETERS

Nominal voltage [V]	100 – 127 200 – 240
Frequency [Hz]	50 – 60
Heating output [W]	1300
Max. watt consumption [W]	1500
Maximum operating current [A]	13
100 – 127 V	6.5
200 – 240 V	
Protection class	IP 20

### HEATING BATH

Heating bath temperature [°C]	20 - 180
-------------------------------	----------

### PARAMETERS OF EVAPORATION FLASK

Size of evaporation flask [ml]	50 – 3000
Rotational speed of evaporation flask [1/min]	25 – 280
Length of stroke [mm]	150
Lifting speed [mm/s]	38

### OTHER DATA

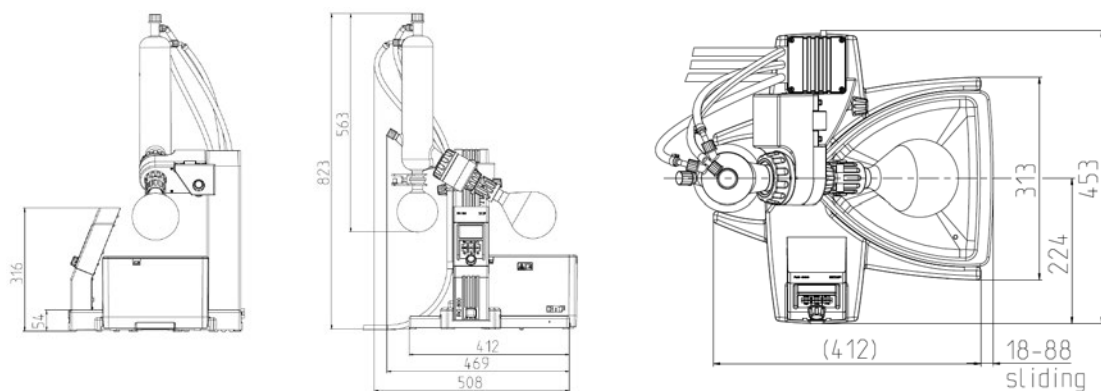
Total weight [kg]	9.1
Dimensions W x H x D [mm]:	
- without glass [footprint]	431 x 464 x 453
- with glass	487 x 823 x 453
Vacuum and refill connections	GL14
Maximum altitude of installation [m above sea level]	2000
USB connection	USB Type B

### CONTROL UNIT

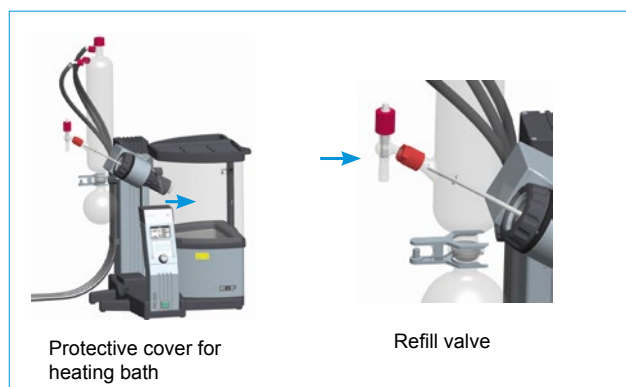
Type of display	LCD black/white
Indicated parameters	Rotation speed, temperature, lift

## Dimensions

### RC 600



ACCESSORIES	ID
Protective cover for heating bath	127204
Refill valve	300639
Vacuum seal	113046
Dry ice cold finger	301696



## Combination possibilities

