

ROTARY EVAPORATOR RC 900

DATA SHEET E 400



Technical features

- Central remote control for all functions
- Fast and easy change of the flask
- Automatic lift up of the flask in case of power outage
- Operating display of heating bath

Technical data

MATERIAL FOR PARTS CONTACTING THE MEDIA

| | |
|---------------------------|--------------------|
| Glass parts | Borosilicate glass |
| Vapor tube seal | PTFE compound |
| Refilling valve's fitting | PP |
| Fitting seal | Silicone |
| Plugs seal | PTFE-coated |

COOLANT LINE MATERIAL

| | |
|-----------------------|--------------------------------|
| Fittings on condenser | PP |
| Fitting seal | Silicone |
| Connections on tower | brass/galvanized |
| Internal connections | Norprene®, PA, stainless steel |
| Tubing | Norprene® |

VACUUM LINE MATERIAL

| | |
|----------------------|-----------------------------|
| Fitting on condenser | PP |
| Connections on tower | PVDF, stainless steel |
| Inner connections | PTFE, PVDF, stainless steel |
| Tubing | Norprene® |

ELECTRICAL PARAMETERS

| | |
|-------------------------------|------------------------|
| Nominal voltage [V] | 100 – 127 200 – 240 |
| Frequency [Hz] | 50 – 60 |
| Heating output [W] | 1300 |
| Max. watt consumption [W] | 1500 |
| Maximum operating current [A] | |
| 100 – 127 V | 13 |
| 200 – 240 V | 6.5 |
| Protection class | IP 20 |

HEATING BATH

| | |
|-------------------------------|----------|
| Heating bath temperature [°C] | 20 - 180 |
|-------------------------------|----------|

COOLANT SUPPLY PARAMETERS (CHILLED CONDENSER)

| | |
|---|------------|
| Permissible pressure [bar] | 3 |
| Permissible temperature [°C] | -15 to +20 |
| Coolant-coated surface [cm ²] | 1230 |

PARAMETERS OF EVAPORATION FLASK

| | |
|---|-----------|
| Size of evaporation flask [ml] | 50 – 3000 |
| Rotational speed of evaporation flask [1/min] | 25 – 250 |
| Length of stroke [mm] | 150 |
| Lifting speed [mm/s] | 38 |

OTHER DATA

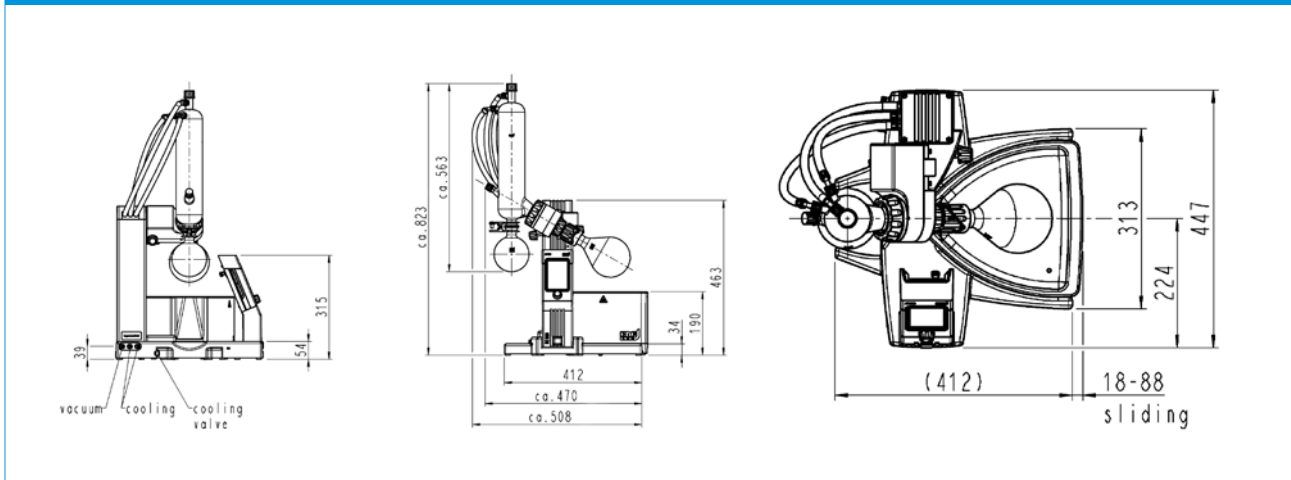
| | |
|--|-----------------|
| Total weight [kg] | 9.1 |
| Dimensions W x H x D [mm]: | |
| - without glass (footprint) | 431 x 464 x 447 |
| - with glass | 487 x 823 x 447 |
| Vacuum, coolant, and refill connections | GL14 |
| Maximum altitude of installation [m above sea level] | 2000 |

REMOTE CONTROL UNIT

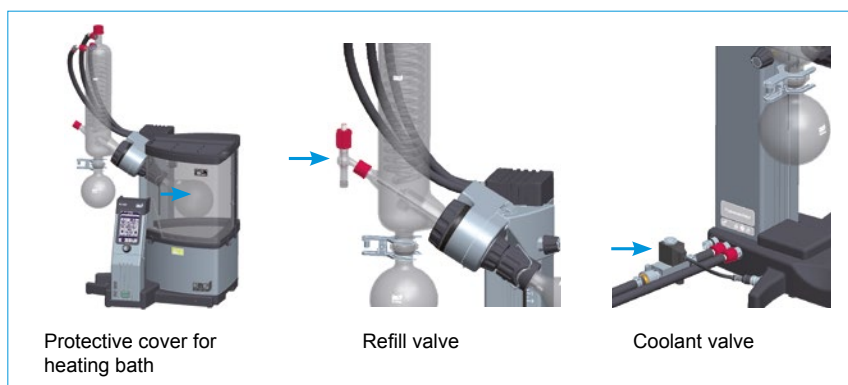
| | |
|----------------------|---|
| Wireless range | approx. 50 m without obstacles |
| Power supply | Through integrated batteries or included power supply |
| Batteries | 4 x AA 1.2 V 2300 mAh; quick-charge |
| Battery service life | Up to 12 hours |
| Charging time | About 7 hours |

Dimensions

RC 900



| ACCESSORIES | ID |
|-----------------------------------|--------|
| Protective cover for heating bath | 127204 |
| Refill valve | 300639 |
| Coolant valve | 300853 |
| Vacuum seal | 113046 |
| Dry ice cold finger | 301696 |



Combination possibility

