

# VACUUM PUMP SYSTEM LABOPORT® SR 820 G CN



## Technical features

- Vacuum system comprising chemically resistant diaphragm vacuum pump, base plate and two separator flasks on suction and pressure side
- Modular expandable
- 100% oil-free transfer – thereby pure transferring, evacuation and compression of gases
- High level of vapor and condensate compatibility
- Ideal for extremely aggressive / corrosive gases and vapors
- Integrated gas ballast valve
- 3-color status display for in operation / stand-by / error
- Integrated rotational speed control
- Environmentally friendly
- Start against ultimate vacuum of the pump

## Technical data

Flow rate [m <sup>3</sup> /h] at atm. pressure	1.2
Flow rate [l/min] at atm. pressure	20
Ultimate vacuum [mbar abs.]	6.0
Operating pressure [bar]	0.1
Voltage [V]	100 – 240
Frequencies [Hz]	50/60
Protection class	IP30
Power P <sub>i</sub> [W]	60
Operating current [A]	0.35 (240 V AC) 0.66 (100 V AC)
With thermal switch and power fuse	

## MATERIALS

Pump head	TFM™ PTFE
Diaphragm	PTFE-coated
Valves	FFPM

## OTHER DATA

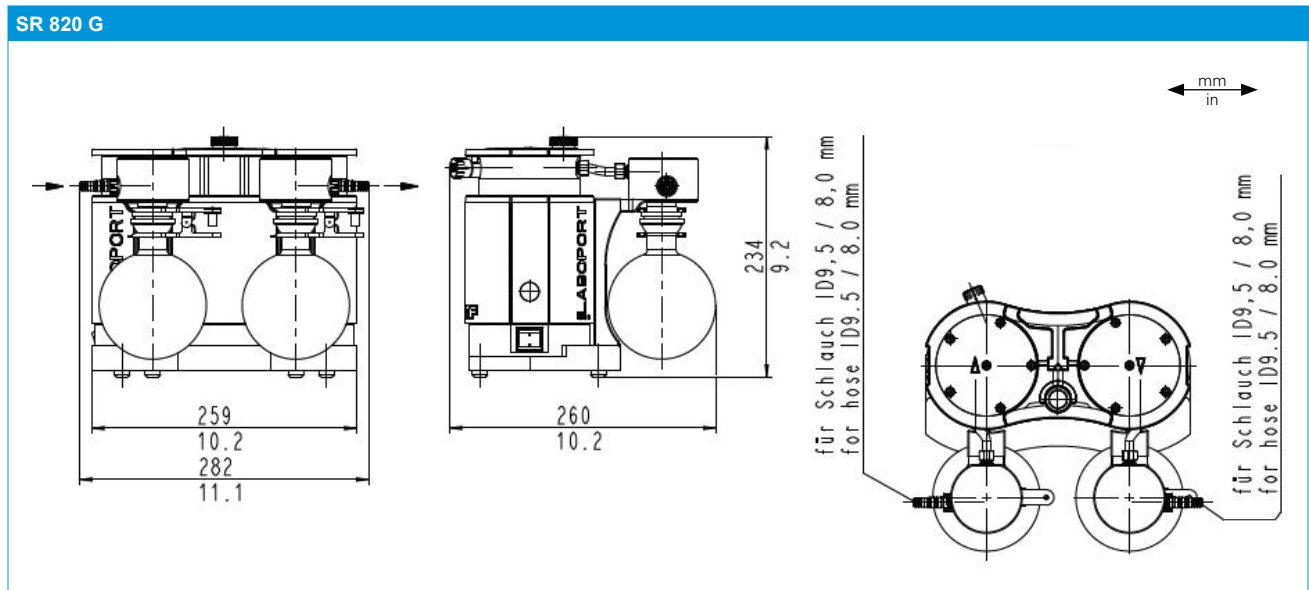
Weight [kg]	10.7
Hose connections	Inlet: For hose ID 8 – 9.5 Outlet: For hose ID 10
Dimensions W x H x D [mm]	282 x 234 x 260
Permissible media and ambient temperature [°C]	+5 to +40

## SPARE PARTS

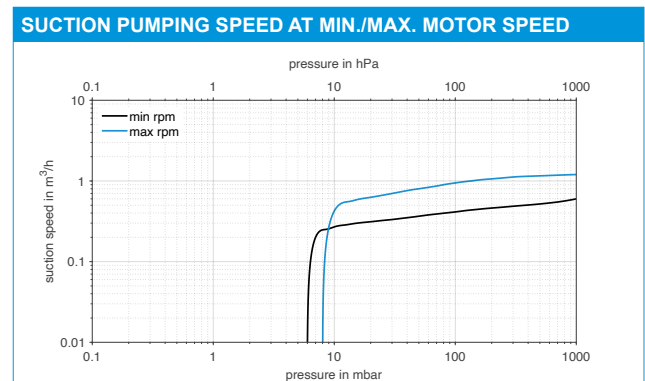
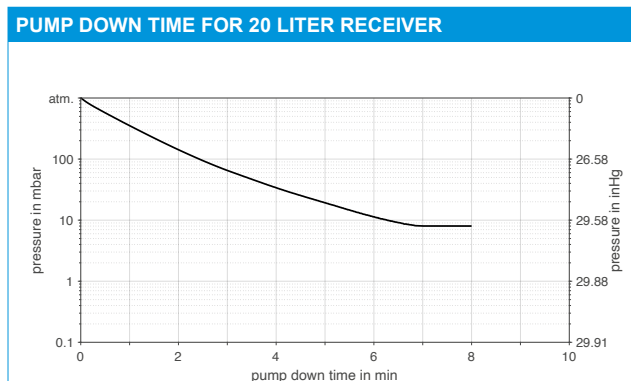
	ID
Spare parts kit pump N 820 G	331051
Spare parts kit System*	331054

\*Includes spare parts kit ID 331051 + additional O-Rings for a service of the complete system

## Dimensions



## Performance characteristics



ACCESSORIES	ID
Separator flask	047729
Hose connector with O-ring (FPM)	323609
Hose connector PP (for hose ID 10)	026237
Screw connection cap red, GL 18 (for hose connector ID 026237)	025980
Hose connector PP (for hose ID 8)	025981

Screw connection cap red, GL 14 (for hose connector ID 025981)	025982
Key for hose connector	316279
Hose-BGR for Separator flask (2x for SR 820 G)	323044
Hose connector Y-piece - ID10	026432

**Modular expandable**  
From basic pump to system

