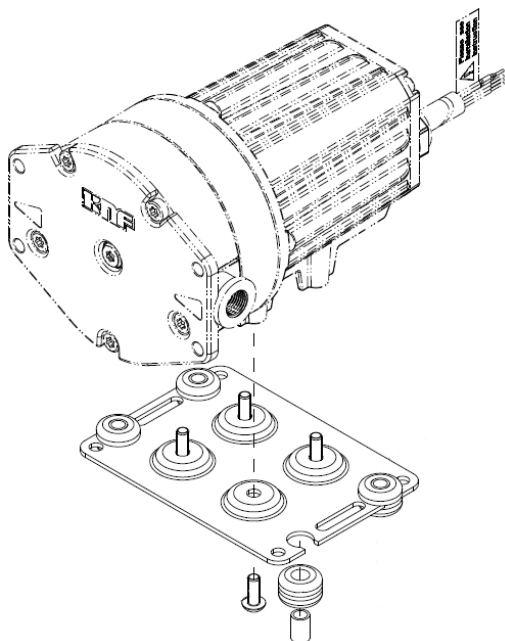


## MOUING PLATE KIT FP 150 ID NR. 178997

### Content

pieces	material	dimension
1	Mounting plate FP 150	92 x 66 x 1.5mm
4	Sleeve	Di6 x 9 x 1.5mm
4	Distance sleeve	D6 x 9 x 0.75mm
4	Socket head screw inox	M4 x 10mm

### Assembly process



### Dimensions

