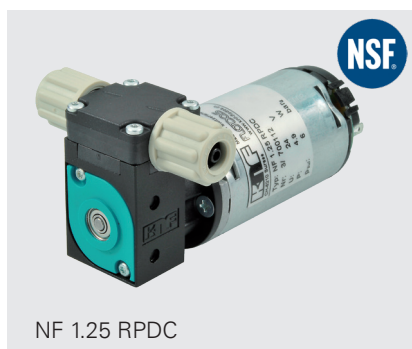


NF 1.25 DIAPHRAGM LIQUID PUMP



NF 1.25 RPDC



NF 1.25 RPDCB-4B

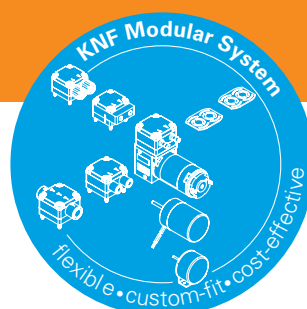
ADVANTAGES

- Self priming and excellent for pressure
- Extreme chemical resistance
- Dry running, durable and maintenance free

POSSIBLE AREAS OF USE

- Analysers
- Laboratory
- Cleaning industry
- Printing

Please visit our website
www.knf.com
to get more information.



PERFORMANCE DATA

Series model	NF 1.25 DC	NF 1.25 DCB-B*	NF 1.25 DCB-4B*
Material options	RP		RT
Pump head	PPS		PPS
Diaphragm	EPDM		PTFE
Valves	EPDM		FFKM
Resonating diaphragm	EPDM		FFKM
Flow rate at atm. pressure (l/min)	0.3		
Suction height (mWg)	3		
Pressure head (mWg)	60		
Permissible ambient air (°C)	+5 to +40		
Permissible liquid temperature (°C)	+5 to +80		
Weight (g)	157	185	
IP protection factor	00	30	

ELECTRICAL DATA

Operating voltage (V)	12/24	12/24	10-26
Power consumption (W)	4.9	5.8/6.2	7
Operating current (A)	0.41/0.20	0.48/0.26	0.53-0.25

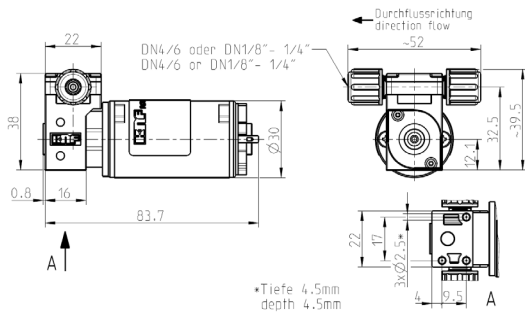
* DCB = Stands for brushless DC motor

NF 1.25 DC

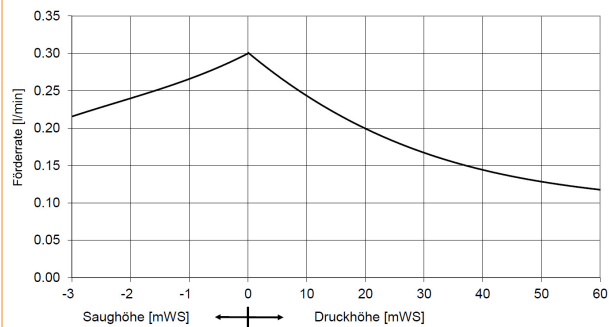
PERFORMANCE DATA

Series model	Flow rate at atm. pressure (l/min)	Max. suction height (mWg)	Max. pressure head (mWg)
NF 1.25 DC	0.3	3	60

NF 125 DC



NF 125 DC FLOW CURVE



ELECTRIC SPECIFICATIONS

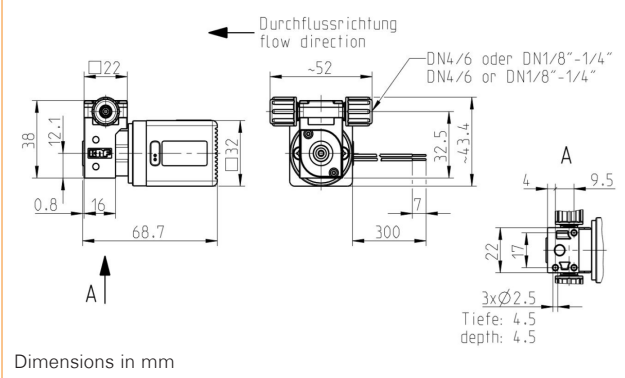
Wires	Solderig lug
Wires assignment	red = +VS black = -VS/GND

NF 1.25 DCB

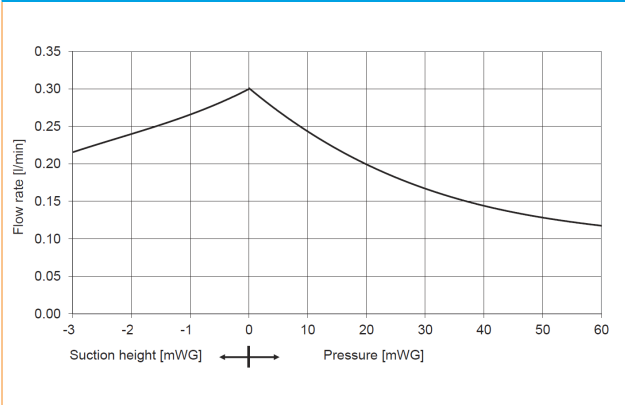
PERFORMANCE DATA

Series model	Flow rate at atm. pressure (l/min)	Max. suction height (mWg)	Max. pressure head (mWg)
NF 1.25 DCB	0.3	3	60

NF 1.25 DCB



NF 1.25 DCB FLOW CURVE



ELECTRIC SPECIFICATIONS

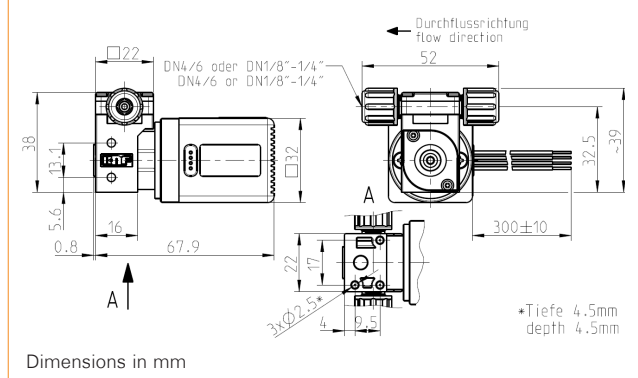
Wires	AWG 24
Wires assignment	red = +VS black = -VS/GND

NF 1.25 DCB-4B

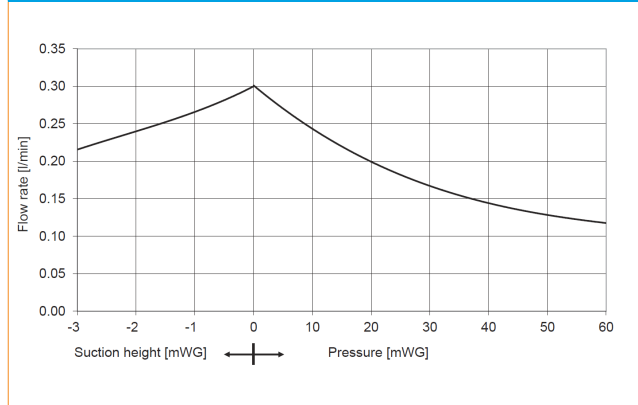
PERFORMANCE DATA

Series model	Flow rate at atm. pressure (l/min)	Max. suction height (mWg)	Max. pressure head (mWg)
NF 1.25 DCB-4B	0.3	3	60

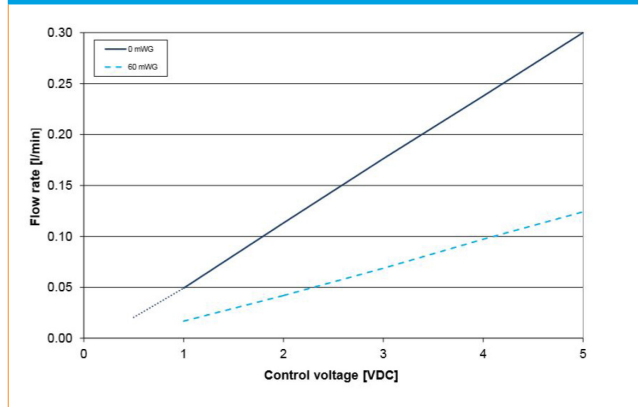
NF 1.25 DCB-4B



NF 1.25 DCB-4B FLOW CURVE


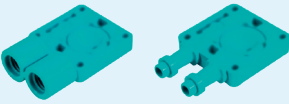


NF 1.25 DCB-4B CONTROL CURVE



ELECTRIC SPECIFICATIONS





Wires	AWG 24
Wires assignment	red = +VS black = -VS/GND white = Vctrl-input green = FG-output
Input signal	0-5 V

OPTIONS			
Description	Illustration	Part No.	Details
Motors with special voltages or frequencies			
Electrical connectors			Specific customers requirements such as special connections (Molex, AMP, etc.)
Different hydraulic connection types			
Other head materials			



NSF National Sanitary Foundation

This certification will confirm that all of the pumps with the code .51 are certified for the use with foods/consumables.

ACCESSORIES			
Description	Illustration	Part No.	Details
Fastening elements			
Diaphragm pressure control valve			The pressure control valve can be used for a more accurate control of flow against a fluctuating back pressure, metering into a vacuum and from a pressurised system.
Pulsation damper			This very versatile pulsation damper reduces the vibration in hoses and pipes and it helps to remove pulsation which is preventing the system from functioning correctly.
Filter			KNF filters protect both pumps and other upstream instrumentation and hydraulic circuits against particulate, crystals and fibres which can improve optimum operation.

The performance values for the series models shown on this data sheet were determined under test conditions. The actual performance values may differ and depend in particular on the usage conditions and therefore on the specific application, on the parameters of the components involved in the user's system and on any technical modifications carried out which deviate from the standard configuration or the as delivered condition.

If individual designs have been created for specific customers on the basis of series models, other technical performance data may apply. Before operation begins, the relevant operating instructions and/or assembly or installation instructions should be read and the safety information contained in these instructions should be noted. KNF reserves the right to make changes to the product and the associated documentation without prior notice to the customer.



www.knf.com

KNF reserves the right to make technical changes without notice.
KNF 10/2022. www.knf.com