

NF 1.60

DIAPHRAGM LIQUID PUMP



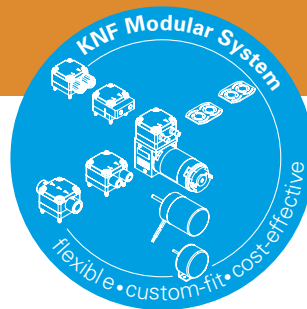
ADVANTAGES

- Self priming and excellent for pressure
- Extreme chemical resistance
- Dry running, durable and maintenance free

POSSIBLE AREAS OF USE

- Analysers
- Laboratory
- Cleaning industry
- Printing

Please visit our website
www.knf.com
 to get more information.



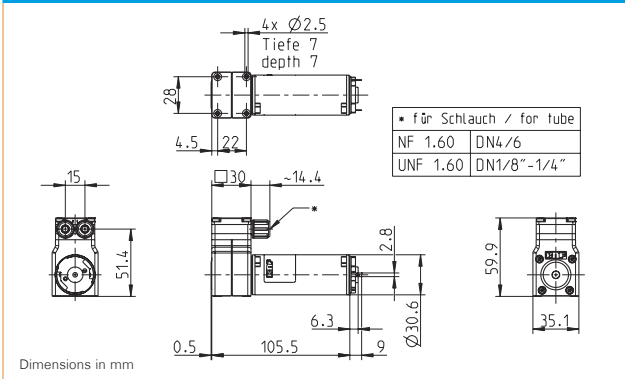
PERFORMANCE DATA			
Series model	NF 1.60 DC	NF 1.60 DCB-B	NF 1.60 DCB-4B
Material options	KP		KT
Pump head	PP		PP
Diaphragm	EPDM		PTFE
Valves	EPDM		FFKM
Resonating diaphragm	PTFE		PTFE
Flow rate at atm. pressure (l/min)	0.65		
Suction height (mVg)	3		
Pressure head (mVg)	60		
Permissible ambient temperature (°C)	+5 to +40		
Permissible liquid temperature (°C)	+5 to +80		
Weight (g)	320	260	
IP protection factor	00	50	
ELECTRICAL DATA			
Operating voltage (V)	12/24	12/24	10-26.4
Power consumption (W)	10	10.2/10.6	10.9
I load max (A)	0.8/0.4	0.85/0.44	1.1-0.39

NF 1.60 DC

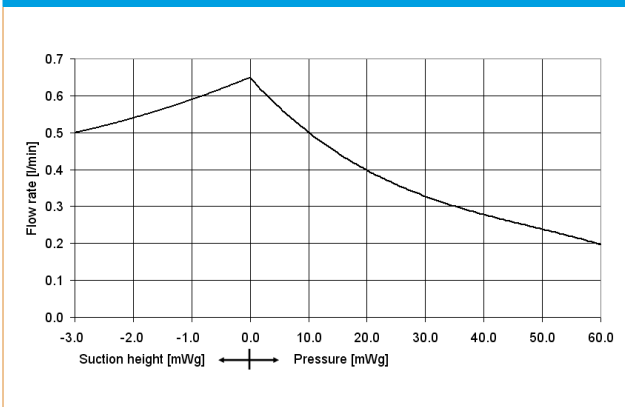
PERFORMANCE DATA

Series model	Flow rate at atm. pressure (l/min)	Max. suction height (mWg)	Max. pressure head (mWg)
NF 1.60 DC	0.65	3	60

NF 1.60 DC



NF 1.60 DC FLOW CURVE



ELECTRIC SPECIFICATIONS

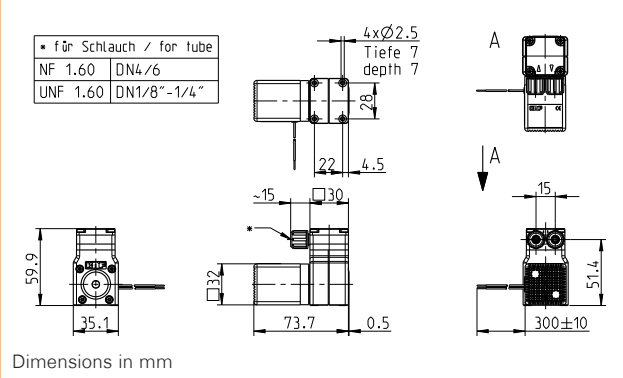
Wires	Solderig lug
Wires assignment	red = +VS black = -VS/GND

NF 1.60 DCB-B

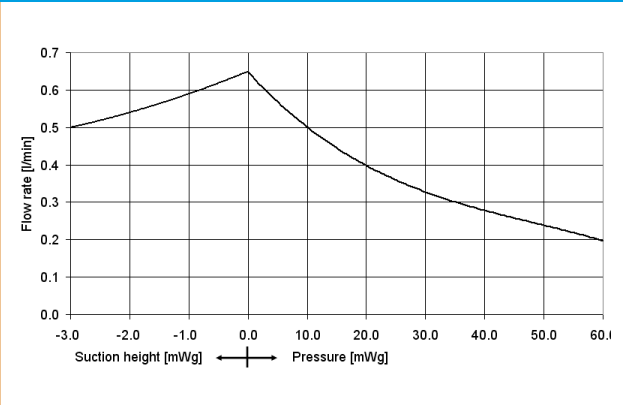
PERFORMANCE DATA

Series model	Flow rate at atm. pressure (l/min)	Max. suction height (mWg)	Max. pressure head (mWg)
NF 1.60 DCB-B	0.65	3	60

NF 1.60 DCB-B



NF 1.60 DCB-B FLOW CURVE



ELECTRIC SPECIFICATIONS

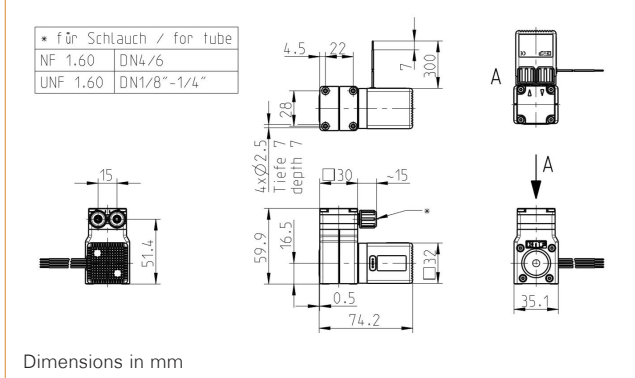
Wires	AWG 24
Wires assignment	red = +VS black = -VS/GND

NF 1.60 DCB-4B

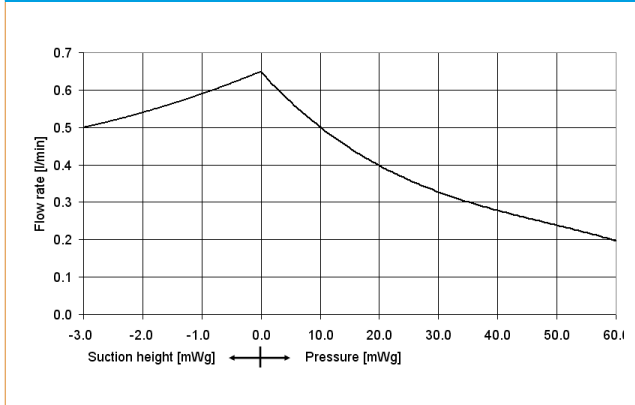
PERFORMANCE DATA

Series model	Flow rate at atm. pressure (l/min)	Max. suction height (mWg)	Max. pressure head (mWg)
NF 1.60 DCB-4B	0.65	3	60

NF 1.60 DCB-4B






NF 1.60 DCB-4B FLOW CURVE



ELECTRIC SPECIFICATIONS

Wires	AWG 24
Wires assignment	red = +VS black = -VS/GND white = Vctrl-input green = FG-output
Input signal	0-5 V

OPTIONS		
Description	Illustration	Details
Motors with special voltages or frequencies		Various voltage options, higher and lower service life
Electrical connectors		Specific customers requirements such as special connections (Molex, AMP, etc.)
Different hydraulic connection types		Compression fittings, internal thread, etc.






DIGITAL CUSTOMIZATION

Thanks to digital technology, this pump can be quickly adapted to the customer's system. This is done by parametrizing the firmware of the motor at KNF.



NSF National Sanitary Foundation

This certification will confirm that all of the pumps with the code .51 are certified for the use with foods/consumables.

ACCESSORIES		
Description	Illustration	Details
Diaphragm pressure control valve		The pressure control valve can be used for a more accurate control of flow against a fluctuating back pressure, metering into a vacuum and from a pressurised system.
Pulsation damper		This very versatile pulsation damper reduces the vibration in hoses and pipes and it helps to remove pulsation which is preventing the system from functioning correctly.
Filter		KNF filters protect both pumps and other upstream instrumentation and hydraulic circuits against particulate, crystals and fibres.

The performance values for the series models shown on this data sheet were determined under test conditions. The actual performance values may differ and depend in particular on the usage conditions and therefore on the specific application, on the parameters of the components involved in the user's system and on any technical modifications carried out which deviate from the standard configuration or the as delivered condition.

If individual designs have been created for specific customers on the basis of series models, other technical performance data may apply. Before operation begins, the relevant operating instructions and/or assembly or installation instructions should be read and the safety information contained in these instructions should be noted. KNF reserves the right to make changes to the product and the associated documentation without prior notice to the customer.



www.knf.com