

NFB 30 DIAPHRAGM LIQUID PUMP



NFB 30 KPDCB-B

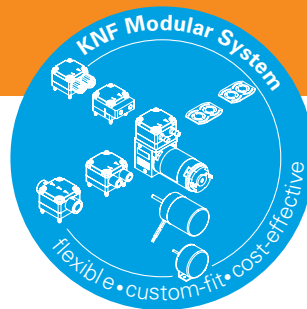
ADVANTAGES

- Self priming and excellent for pressure
- Extreme chemical resistance
- Dry running, durable and maintenance free

POSSIBLE AREAS OF USE

- Analysers
- Laboratory
- Cleaning industry
- Printing

Please visit our website
www.knf.com
to get more information.



PERFORMANCE DATA

| Series model | NFB 30 DCB-B* | | NFB 30 DCB-4B* |
|--------------------------------------|---------------|------|----------------|
| Material options | KP | KT | TT |
| Pump head | PP | PP | PVDF |
| Diaphragm | EPDM | PTFE | PTFE |
| Valves | EPDM | FFKM | FFKM |
| Flow rate at atm. pressure (l/min) | 2 x 0.3 | | |
| Suction height (mH ₂ O) | 6 | 5 | |
| Pressure head (mH ₂ O) | 10 | | |
| Permissible ambient temperature (°C) | +5 to +40 | | |
| Permissible liquid temperature (°C) | +5 to +80 | | |
| Weight (g) | 250 | | |
| IP protection factor | 30 | | |
| ELECTRICAL DATA | | | |
| Operating voltage (V) | 12/24 | | 10-26.4 |
| Power consumption (W) | 10.9/11.5 | | 12 |
| I load max. (A) | 0.91/0.48 | | 1.2-0.48 |

* DCB = Stands for brushless DC motor

NFB 30 DCB-B

PERFORMANCE DATA

| Series model | Flow rate at atm. pressure (l/min) | Max. suction height (mH ₂ O) | Max. pressure head (mH ₂ O) |
|--------------|------------------------------------|-----------------------------------------|----------------------------------------|
| NFB 30 DCB-B | 2 x 0.3 | 6 ¹⁾ | 10 |

¹⁾ For models with PTFE diaphragm: max. 5 mWg

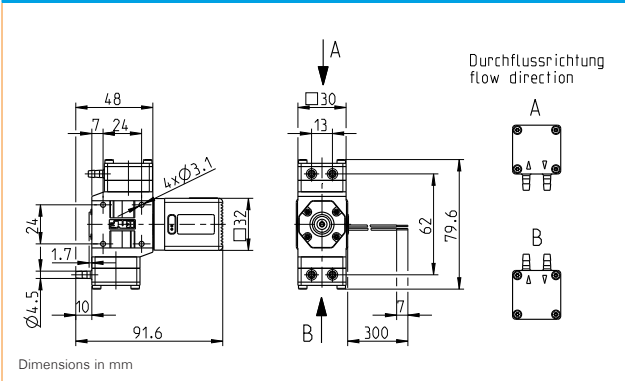
NFB 30 DCB-4B

PERFORMANCE DATA

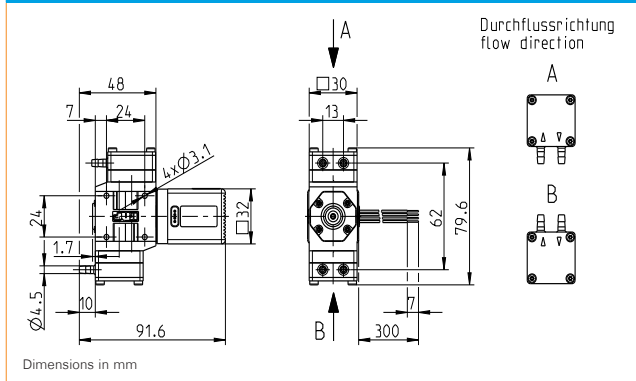
| Series model | Flow rate at atm. pressure (l/min) | Max. suction height (mH ₂ O) | Max. pressure head (mH ₂ O) |
|---------------|------------------------------------|-----------------------------------------|----------------------------------------|
| NFB 30 DCB-4B | 2 x 0.3 | 6 ¹⁾ | 10 |

¹⁾ For models with PTFE diaphragm: max. 5 mWg

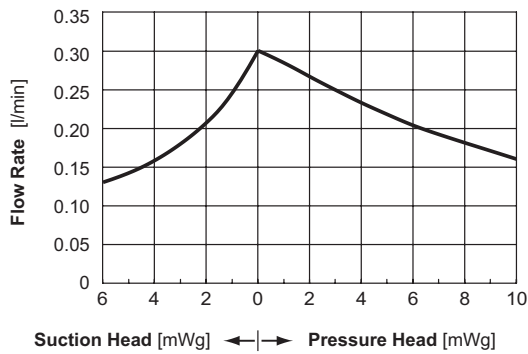
NFB 30 DCB-B



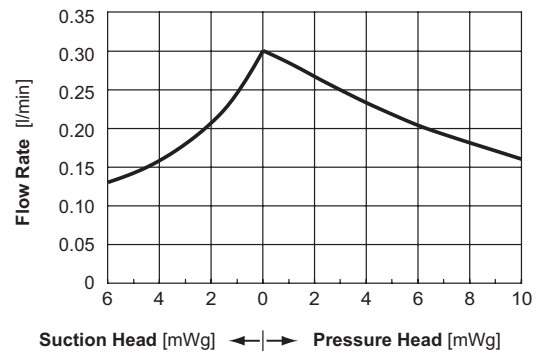
NFB 30 DCB-4B



NFB 30 DCB-B FLOW CURVE (PER HEAD)



NFB 30 DCB-4B FLOW CURVE (PER HEAD)



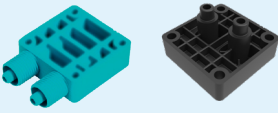


ELECTRIC SPECIFICATION

| | |
|-----------------|------------------------------|
| Wires | AWG 24 |
| Wire assignment | red = +VS black = -VS/GND |

ELECTRIC SPECIFICATION

| | |
|-----------------|--------------------------------------------------------------------------|
| Wires | AWG 24 |
| Wire assignment | red = +VS black = -VS/GND white = Vctrl-input green = FG-output |
| Input signal | 0-5 V |

| OPTIONS | | | |
|---------------------------------------------|-----------------------------------------------------------------------------------|----------|--------------------------------------------------------------------------------|
| Description | Illustration | Part No. | Details |
| Motors with special voltages or frequencies |  | | |
| Electrical connectors |  | | Specific customers requirements such as special connections (Molex, AMP, etc.) |
| Different hydraulic connection types |  | | |







NSF National Sanitary Foundation

This certification will confirm that all of the pumps with the code .51 are certified for the use with foods/consumables.



DIGITAL CUSTOMIZATION

Thanks to digital technology, this pump can be quickly adapted to the customer's system. This is done by parametrizing the firmware of the motor at KNF.

| ACCESSORIES | | | |
|----------------------------------|-------------------------------------------------------------------------------------|----------|---------------------------------------------------------------------------------------------------------------------------------------------------------------------------|
| Description | Illustration | Part No. | Details |
| Mounting plate |  | 325885 | |
| Diaphragm pressure control valve |  | | The pressure control valve can be used for a more accurate control of flow against a fluctuating back pressure, metering into a vacuum and from a pressurised system. |
| Pulsation damper |  | | This very versatile pulsation damper reduces the vibration in hoses and pipes and it helps to remove pulsation which is preventing the system from functioning correctly. |
| Filter |  | | KNF filters protect both pumps and other upstream instrumentation and hydraulic circuits against particulate, crystals and fibres which can improve optimum operation. |

The performance values for the series models shown on this data sheet were determined under test conditions. The actual performance values may differ and depend in particular on the usage conditions and therefore on the specific application, on the parameters of the components involved in the user's system and on any technical modifications carried out which deviate from the standard configuration or the as delivered condition.

If individual designs have been created for specific customers on the basis of series models, other technical performance data may apply. Before operation begins, the relevant operating instructions and/or assembly or installation instructions should be read and the safety information contained in these instructions should be noted. KNF reserves the right to make changes to the product and the associated documentation without prior notice to the customer.



www.knf.com