

# NPK02 SERIES

## SWING PISTON GAS PUMPS



NPK02APDC



NPK02APDC-B4

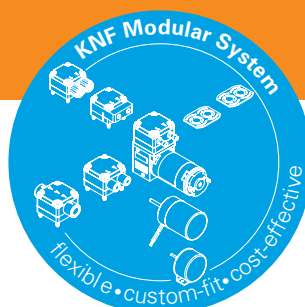
### ADVANTAGES

- Customizing available
- Tested to customers specs
- High pressure
- Excellent size to performance ratio
- Low noise and vibration
- Long service life
- Uncontaminated transfer
- Maintenance-free
- High chemical resistance

### POSSIBLE AREAS OF USE

- Medical devices
- Analytical equipment
- Filtration and nebulization
- Compressed air supply
- Reprographic
- Safety/Security
- Food Industry

Please visit our website  
[www.knf.com](http://www.knf.com)  
 to get more information.



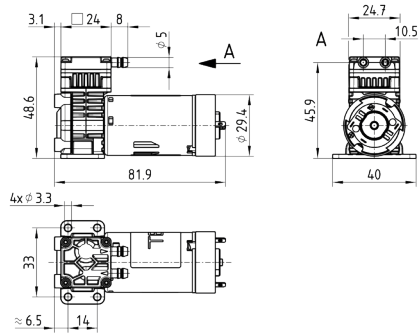
PERFORMANCE DATA				
Series Model	NPK02			
Material design	APDC		APDC-B4	
Pump head	Aluminium/PEEK			
Piston sealing	PTFE			
Valves	EPDM			
Flow rate at atm. pressure (l/min)	1.8	1.8	1.8	1.8
Ultimate vacuum (mbar abs.)	-	-	-	-
Ultimate pressure (bar rel)	2.0	2.0	2.1	2.1
Permissible media and ambient temperature (° C/° F)	+5° C to +40° C / 41° F to 104° F (extended temperature on request)			
Weight (g/oz)	141/4.97		103/3.63	
ELECTRICAL DATA				
Voltage (V)	12	24	12	24
Motor	DC		Brushless DC	
I <sub>max</sub> (A)	0.70	0.40	0.60	0.35

# NPK02APDC

## PERFORMANCE DATA

Series model	Flow rate at atm. pressure (l/min)	Max. operating pressure (bar rel)	Ultimate vacuum (mbar abs.)
NPK02APDC 12V	1.8	2.0	-
NPK02APDC 24V	1.8	2.0	-

## NPK02APDC



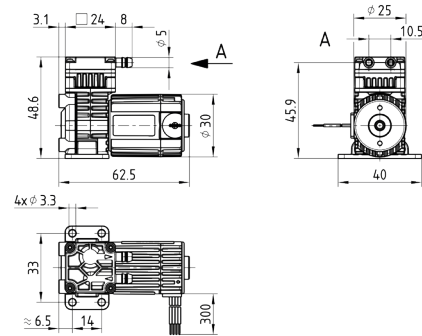
Dimensions in mm

# NPK02APDC-B4

## PERFORMANCE DATA

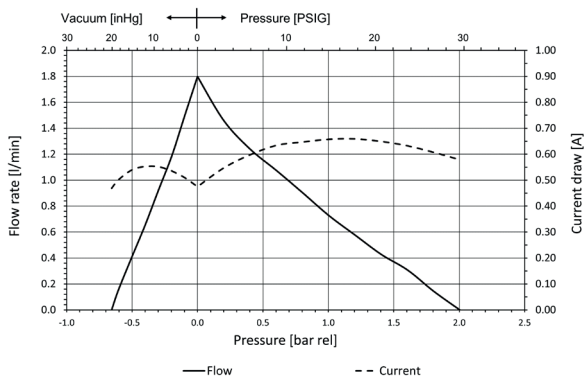
Series model	Flow rate at atm. pressure (l/min)	Max. operating pressure (bar rel)	Ultimate vacuum (mbar abs.)
NPK02APDC-B4 12V	1.8	2.1	-
NPK02APDC-B4 24V	1.8	2.1	-

## NPK02APDC-B4

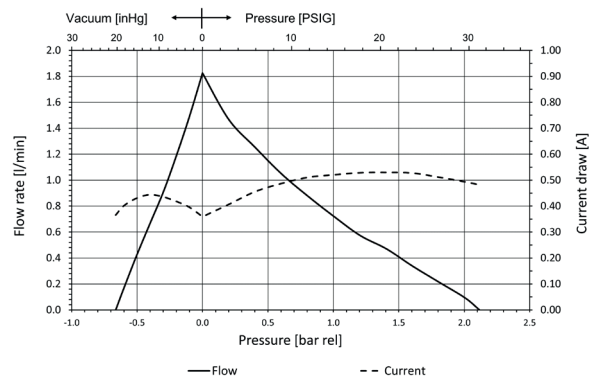


Dimensions in mm

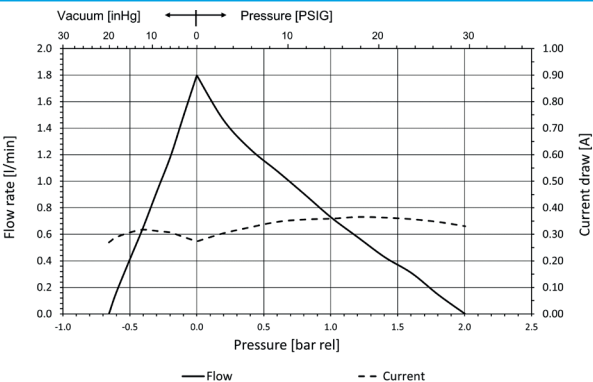
## NPK02APDC 12V FLOW CURVE



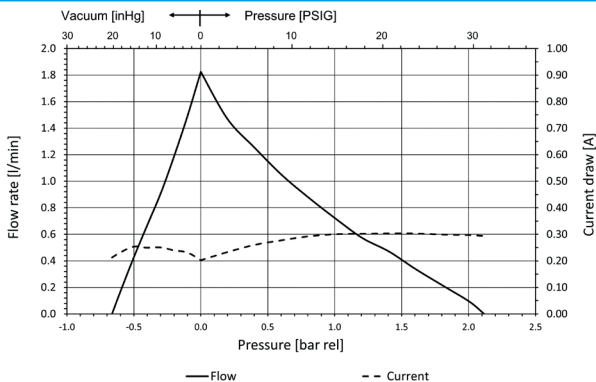
## NPK02APDC-B4 12V FLOW CURVE





## NPK02APDC 24V FLOW CURVE



## NPK02APDC-B4 24V FLOW CURVE



OPTIONS			
Description	Illustration	Part No.	Details
Motors		on request	Other motor options are available. Ask your KNF sales contact to find the best solution for you.
Eccentric		on request	Other eccentricities are available to meet your operating point best.

ACCESSORIES			
Description	Illustration	Part No.	Details
Silencer		024805	For hose barbs
Rubber-bonded metal		on request	

SPARE PARTS			
Description	Illustration	Part No.	Details
Spare part kit		355114	Piston sealing and valve plate

The performance values for the series models shown on this data sheet were determined under test conditions. The actual performance values may differ and depend in particular on the usage conditions and therefore on the specific application, on the parameters of the components involved in the user's system and on any technical modifications carried out which deviate from the standard configuration or the as delivered condition.

If individual designs have been created for specific customers on the basis of series models, other technical performance data may apply. Before operation begins, the relevant operating instructions and/or assembly or installation instructions should be read and the safety information contained in these instructions should be noted. KNF reserves the right to make changes to the product and the associated documentation without prior notice to the customer.



[www.knf.com](http://www.knf.com)