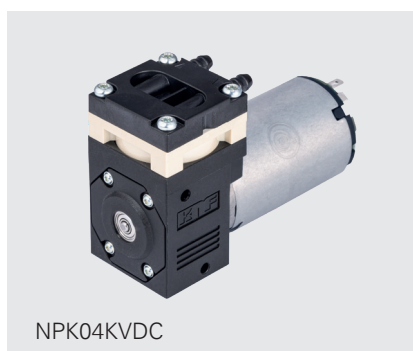


NPK04 SERIES

SWING PISTON GAS PUMPS



NPK04KVDC



NPK04KVDC-B

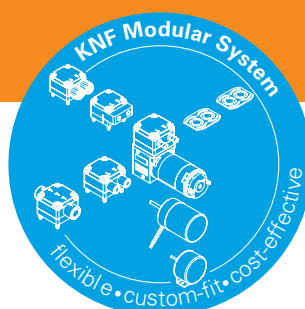
ADVANTAGES

- Customizing available
- Tested to customers specs
- High pressure
- Excellent size to performance ratio
- Low noise and vibration
- Long service life
- Uncontaminated transfer
- Maintenance-free
- High chemical resistance
- Can be installed in any position

POSSIBLE AREAS OF USE

- Medical devices
- Analytical equipment
- Filtration and nebulization
- Compressed air supply
- Reprographic
- Safety/Security
- Food Industry

Please visit our website
www.knf.com
 to get more information.



PERFORMANCE DATA

Series Model	NPK04			
Material design	KVDC		KVDC-B	
Pump head	PPS			
Piston sealing	PTFE			
Valves	FPM/FKM			
Flow rate at atm. pressure (l/min)	3.0	3.0	2.5	2.5
Ultimate vacuum (mbar abs.)	300	300	300	300
Ultimate pressure (bar rel)	2.5	2.5	2.5	2.8
Permissible media and ambient temperature (° C/° F)	+5° C to +40° C / 41° F to 104° F (extended temperature on request)			
Weight (g/oz)	182/6.41		273/9.63	

ELECTRICAL DATA

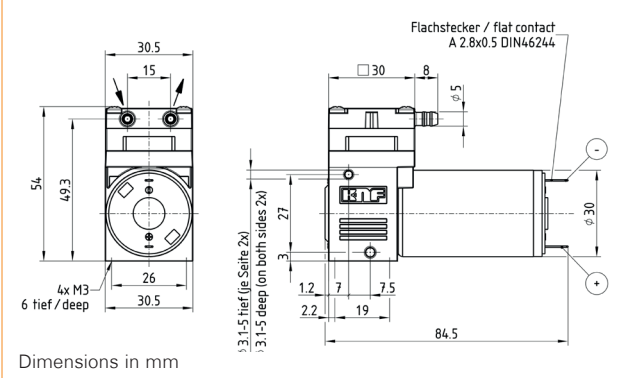
Voltage (V)	12	24	12	24
Motor	DC		Brushless DC	
I _{max} (A)	0.80	0.45	0.65	0.35

NPK04KVDC

PERFORMANCE DATA

Series model	Flow rate at atm. pressure (l/min)	Max. operating pressure (bar rel)	Ultimate vacuum (mbar abs.)
NPK04KVDC 12V	3.0	2.5	300
NPK04KVDC 24V	3.0	2.5	300

NPK04KVDC



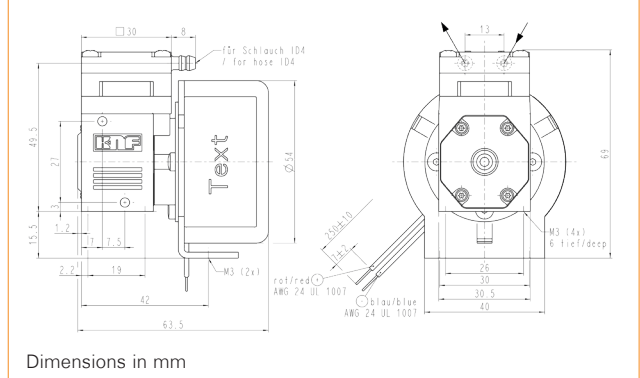
Dimensions in mm

NPK04KVDC-B

PERFORMANCE DATA

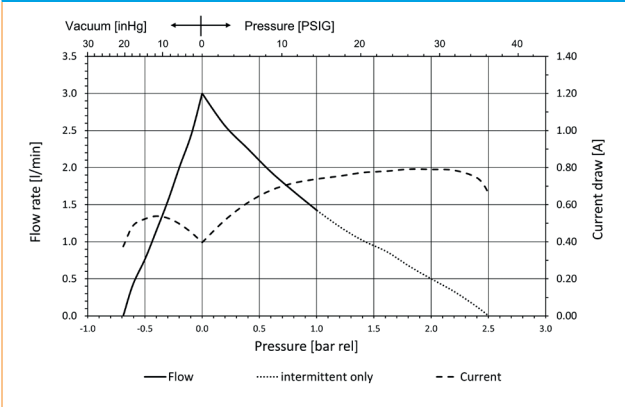
Series model	Flow rate at atm. pressure (l/min)	Max. operating pressure (bar rel)	Ultimate vacuum (mbar abs.)
NPK04KVDC-B 12V	2.5	2.5	300
NPK04KVDC-B 24V	2.5	2.8	300

NPK04KVDC-B

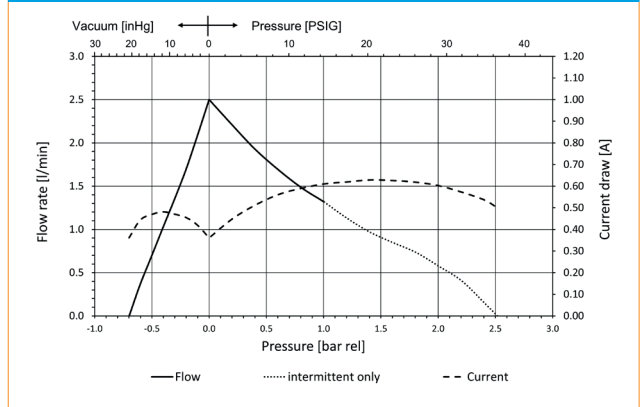


Dimensions in mm

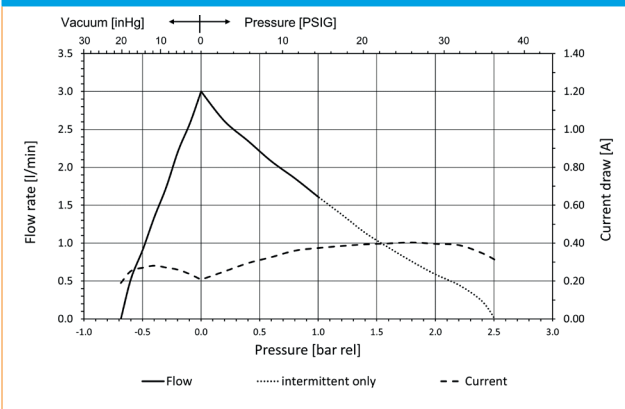
NPK04KVDC 12V FLOW CURVE



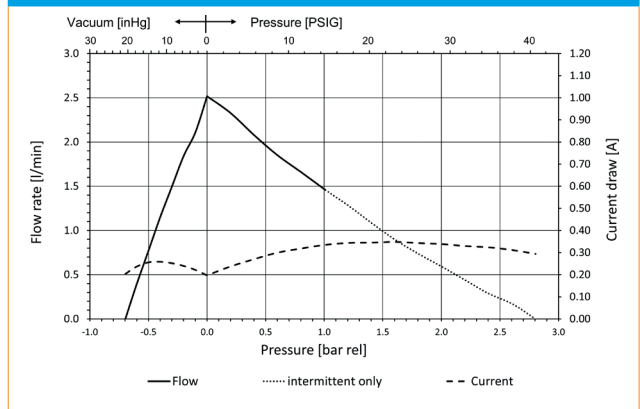
NPK04KVDC-B 12V FLOW CURVE







NPK04KVDC 24V FLOW CURVE



NPK04KVDC-B 24V FLOW CURVE



OPTIONS			
Description	Illustration	Part No.	Details
Motors		on request	Other motor options are available. Ask your KNF sales contact to find the best solution for you.
Connecting plate		on request	DN4/6 connecting plate M5 inside thread UNF 1/4"-.28 inside thread
Eccentric		on request	Other eccentricities are available to meet your operating point best.

ACCESSORIES			
Description	Illustration	Part No.	Details
Silencer		024805	For hose barbs
Silencer		314005	For DN4/6 connecting plate
Mounting plate		162405	
Rubber-bonded metal		on request	

SPARE PARTS			
Description	Illustration	Part No.	Details
Spare part kit		319849	Piston sealing, valves and o-ring

The performance values for the series models shown on this data sheet were determined under test conditions. The actual performance values may differ and depend in particular on the usage conditions and therefore on the specific application, on the parameters of the components involved in the user's system and on any technical modifications carried out which deviate from the standard configuration or the as delivered condition.

If individual designs have been created for specific customers on the basis of series models, other technical performance data may apply. Before operation begins, the relevant operating instructions and/or assembly or installation instructions should be read and the safety information contained in these instructions should be noted. KNF reserves the right to make changes to the product and the associated documentation without prior notice to the customer.



www.knf.com