

N 813 SERIES VACUUM PUMPS



N 813.4 ANDC-B

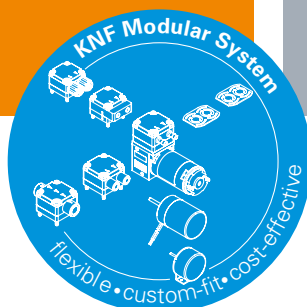
ADVANTAGES

- High-speed evacuation of the measurement chamber thanks to exceptional suction speed
- High flow rate in deep vacuum
- Stable and deep final vacuum

POSSIBLE AREAS OF USE

- Can be used as roughing pump for turbomolecular pumps
- Instrumental analysis
- Analytical technology – especially in the field of spectroscopy
- Used in helium leak detectors

Please visit our website
www.knf.com
to get more information



PERFORMANCE DATA

Series model	N 813.3			N 813.4			N 813.5
	ANE	ANDC-B	AN.29 DC-B	ANE	ANDC-B	AN.29 DC-B	ANE
Pump head	Aluminum						
Diaphragm	EPDM						
Valve	EPDM						
Flow rate at atm. pressure (l/min)	13.0		4.2–13.0	13.0		3.5–13.0	19.0
Ultimate vacuum (mbar abs.)	3			0.5			1
Max. operating pressure (bar rel./psig)	1.0/14.5						
Permissible ambient temperature (°C)	+5 ... +40						
Permissible media temperature (°C)	+5 ... +40						
Weight (kg/lbs)	5.9/13.0	2.3/5.1		7.5/16.5	3.8/8.4		7.5/16.5

ELECTRICAL DATA

Voltage (V)	230	24		230	24		230
Motor	Capacitor motor	Brushless DC motor		Capacitor motor	Brushless DC motor		Capacitor motor
Protection class motor	IP 44	IP 20		IP 44	IP 20		IP 44
Frequency (Hz)	50	-		50	-		50
Power P ₁ (W)	50.0	35.0		80.0	65.0		80.0
I _{max} (A)	0.40	1.50		0.50	2.70		0.50

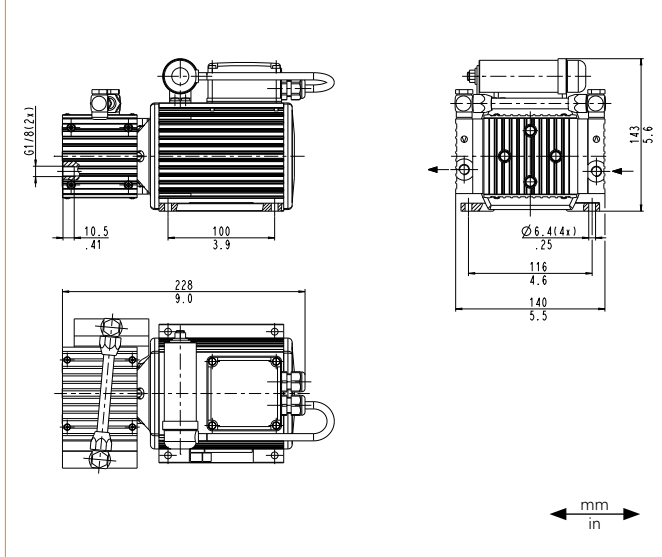
N 813.3 ANE | ANDC-B | AN.29 DC-B

PERFORMANCE DATA

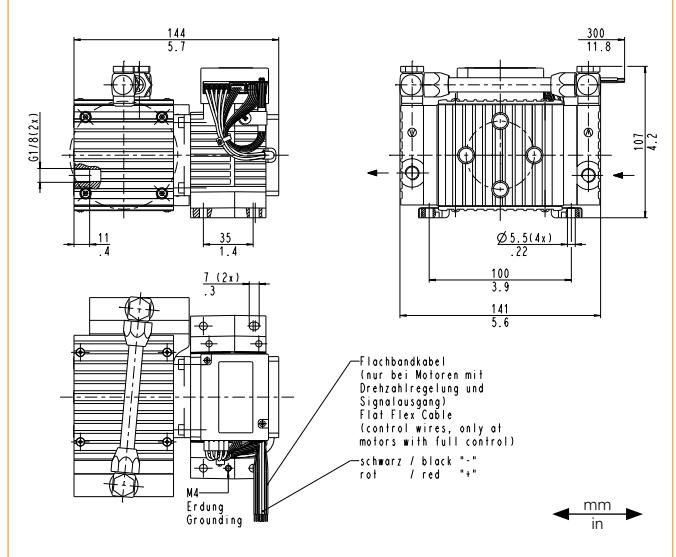
Series model	Flow rate at atm. pressure (l/min) ¹⁾	Max. operating pressure (bar rel./psig)	Ultimate vacuum (mbar abs.)
N 813.3 ANE	13.0	1.0/14.5	3
N 813.3 ANDC-B	13.0	1.0/14.5	3
N 813.3 AN.29 DC-B	4.2-13.0	1.0/14.5	3

¹⁾ Liter at STP

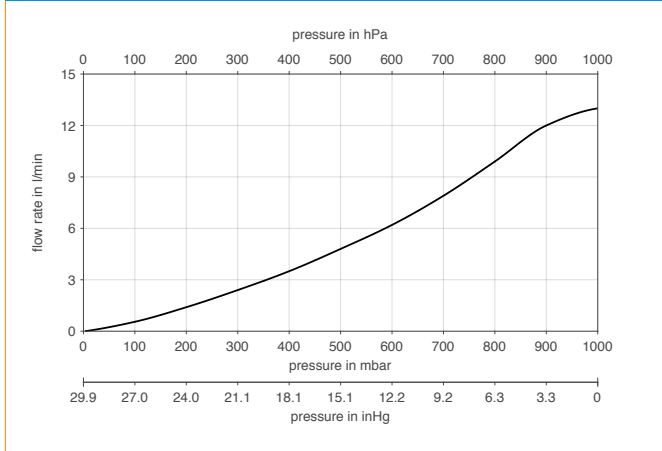
N 813.3 ANE



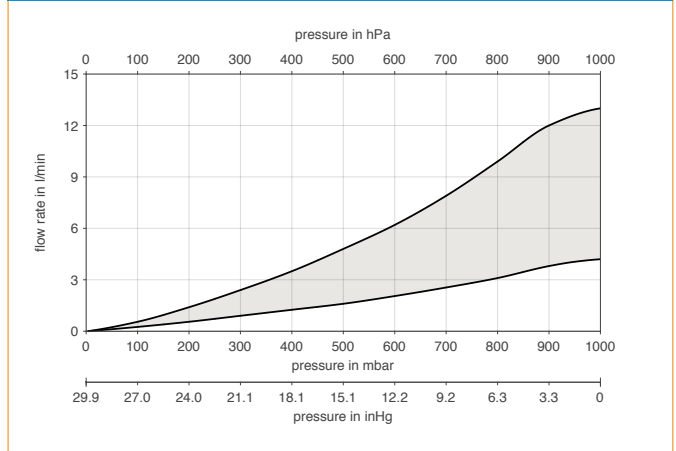
N 813.3 ANDC-B | AN.29 DC-B



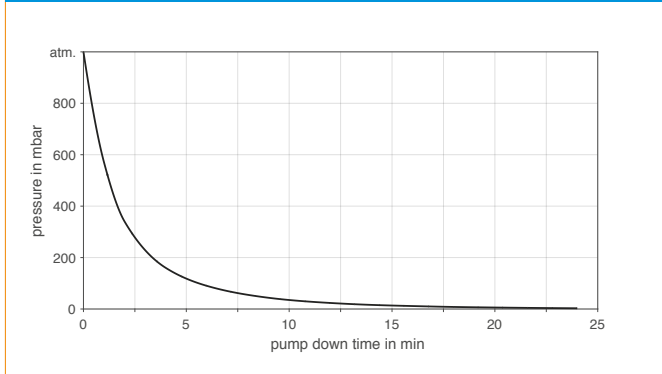
N 813.3 ANE | ANDC-B



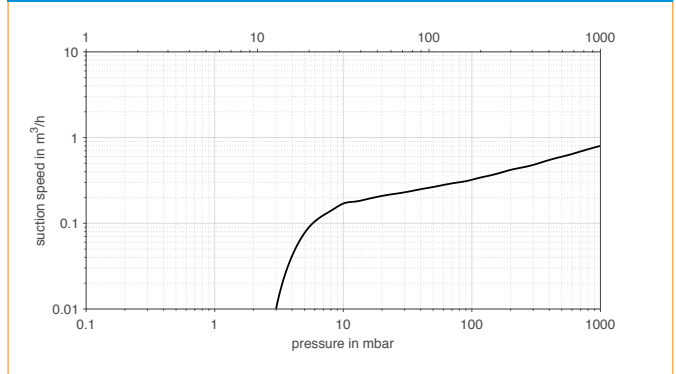
N 813.3 AN.29 DC-B



N 813.3 ANE | ANDC-B | AN.29 DC-B | PUMP DOWN TIME FOR 20 LITER VESSEL



N 813.3 ANE | ANDC-B | AN.29 DC-B | SUCTION PUMPING SPEED



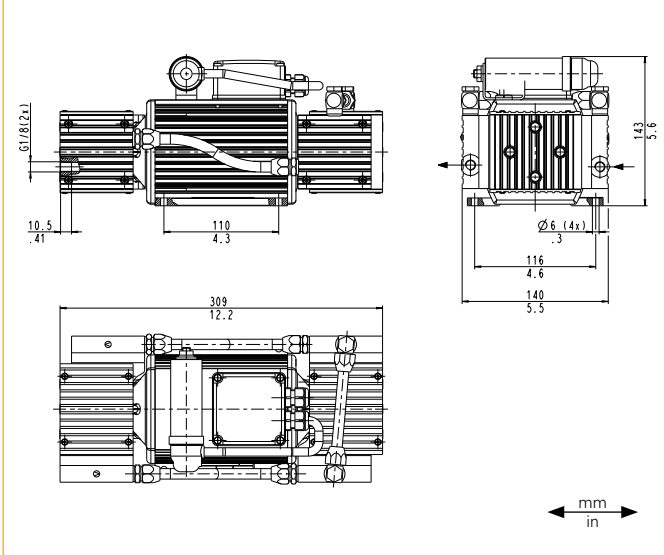
N 813.4 ANE | ANDC-B | AN.29 DC-B

PERFORMANCE DATA

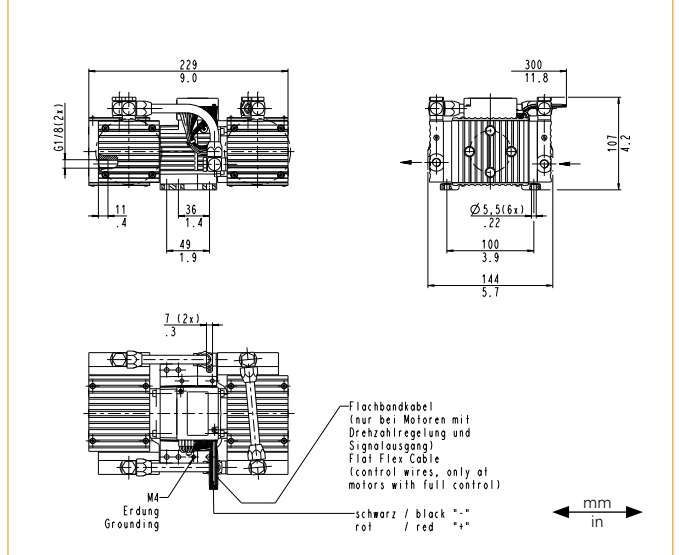
Series model	Flow rate at atm. pressure (l/min) ¹⁾	Max. operating pressure (bar rel./psig)	Ultimate vacuum (mbar abs.)
N 813.4 ANE	13.0	1.0/14.5	0.5
N 813.4 ANDC-B	13.0	1.0/14.5	0.5
N 813.4 AN.29 DC-B	3.5–13.0	1.0/14.5	0.5

¹⁾ Liter at STP

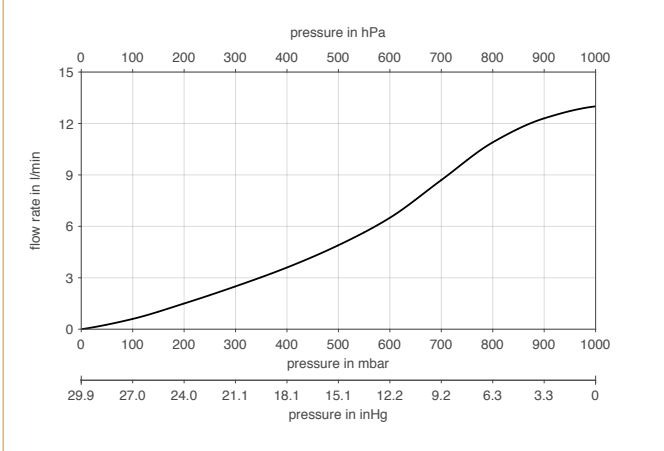
N 813.4 ANE



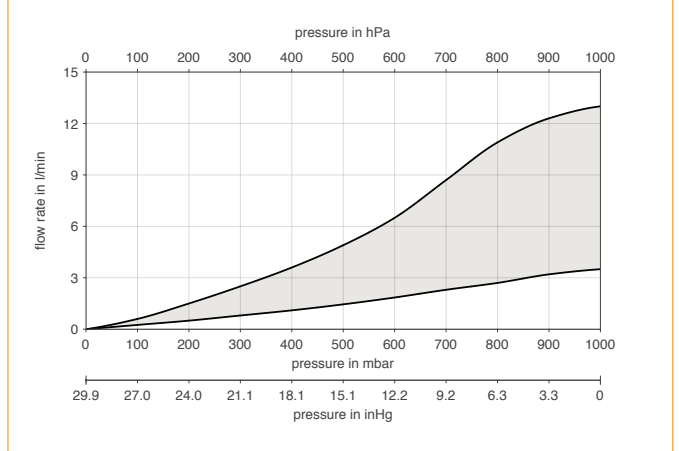
N 813.4 ANDC-B | AN.29 DC-B



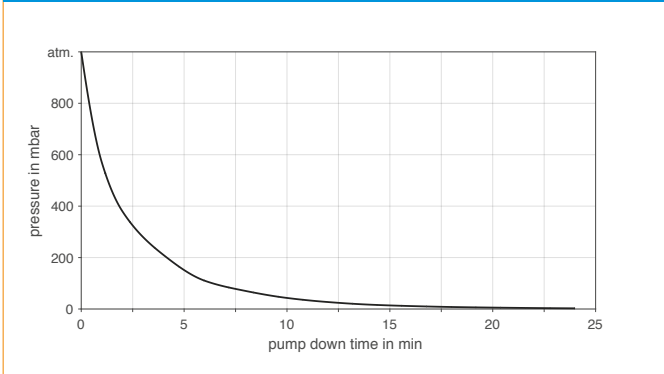
N 813.4 ANE | ANDC-B



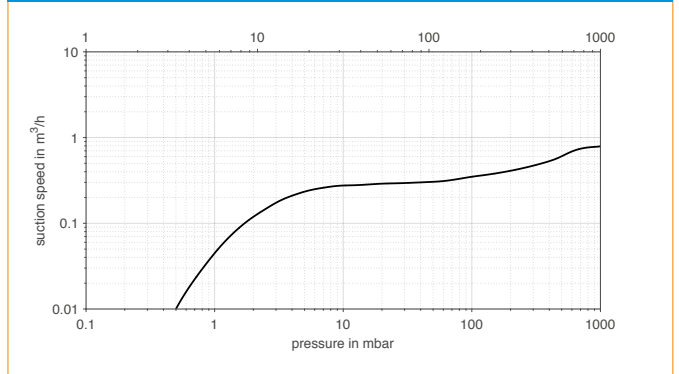
N 813.4 AN.29 DC-B



N 813.4 ANE | ANDC-B | AN.29 DC-B | PUMP DOWN TIME FOR 20 LITER VESSEL



N 813.4 ANE | ANDC-B | AN.29 DC-B | SUCTION PUMPING SPEED



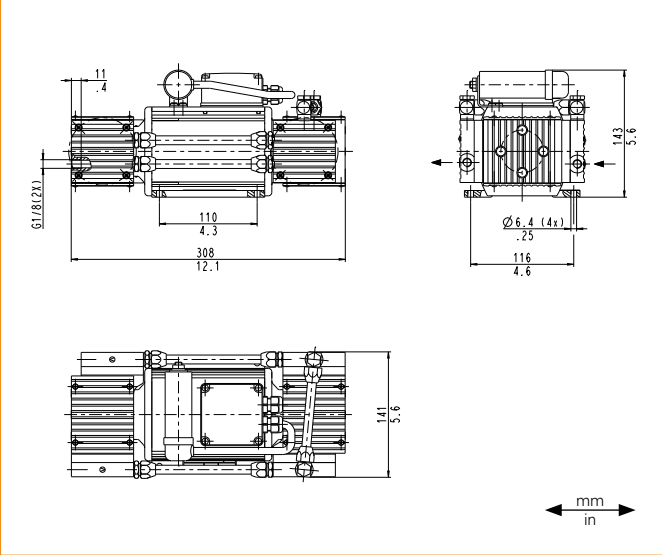
N 813.5 ANE

PERFORMANCE DATA

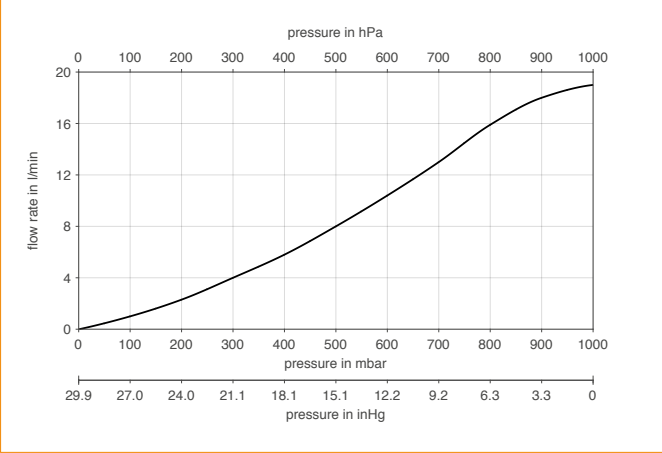
Series model	Flow rate at atm. pressure (l/min) ¹⁾	Max. operating pressure (bar rel./psig)	Ultimate vacuum (mbar abs.)
N 813.5 ANE	19.0	1.0/14.5	1

¹⁾ Liter at STP

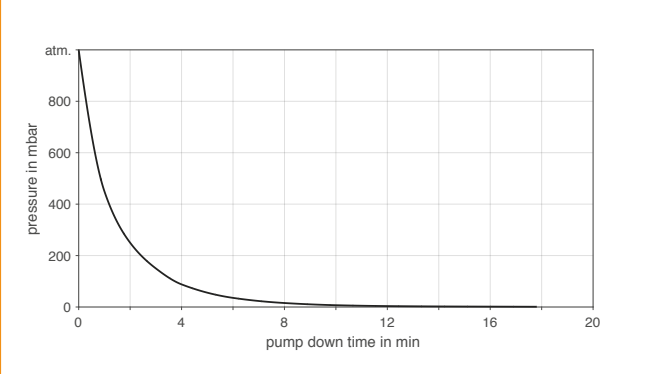
N 813.5 ANE



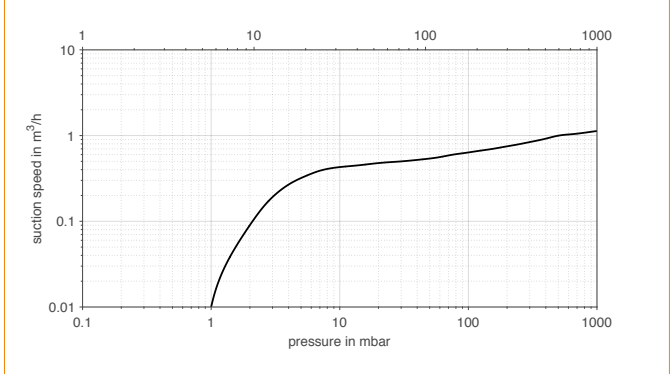
N 813.5 ANE



N 813.5 ANE | PUMP DOWN TIME FOR 20 LITER VESSEL



N 813.5 ANE | SUCTION PUMPING SPEED



ACCESSORIES

Description	Part No.	Details
Silencer	000346	G 1/8
Hose connector	005148	G 1/8
Small flange	042191	G 1/8, DN 10
Gasket	026906	for G 1/8

SPARE PARTS

Description	Part No.	Details
Intermediate plate	024567	
Cover plate	026311	
Valve plate	024597	
Sealing ring	024598	
Diaphragm	044402	
Diaphragm spacer	057379	
Pneumatic connection .3	024723	
Pneumatic connection .4	024722	
Pneumatic connection .5	027394	

The performance values for the series models shown on this data sheet were determined under test conditions. The actual performance values may differ and depend in particular on the usage conditions and therefore on the specific application, on the parameters of the components involved in the user's system and on any technical modifications carried out which deviate from the standard configuration or the as delivered condition.

If individual designs have been created for specific customers on the basis of series models, other technical performance data may apply.

Before operation begins, the relevant operating instructions and/or assembly or installation instructions should be read and the safety information contained in these instructions should be noted.

KNF reserves the right to make changes to the product and the associated documentation without prior notice to the customer.



www.knf.com

YOUR LOCAL PARTNER AROUND THE WORLD

KNF SALES ORGANIZATION

Australia KNF Regional Office
Moreland West VIC 3055
Tel. +61 3 9386 4959
info@knf.com.au
www.knf.com.au

Benelux Netherlands KNF Verder B.V.
3451 GG Vleuten
Tel. +31 30 677 92 40
info@knf-verder.nl
www.knf-verder.nl

Benelux Belgium and Luxemburg
KNF Verder N.V.
2630 Aartselaar
Tel. +32 3 871 96 24
info@knf.be
www.knf.be

China KNF Technology (Shanghai) Co., Ltd.
Shanghai 201203
Tel. +86 21 5109 9695
info@knf.com.cn
www.knf.com.cn

France KNF Neuberger SAS
68128 Village-Neuf
Tel. +33 389 70 35 00
info@knf.fr
www.knf.fr

Germany KNF Neuberger GmbH
79112 Freiburg
Tel. +49 7664 5909 0
info@knf.de
www.knf.de

India KNF Pumps + Systems (India) Pvt. Ltd.
Hinjewadi Pune 411 057
Tel. +91 20 640 13 923
info@knfpumps.in
www.knfpumps.in

Italy KNF Italia S.r.l.
20063 Cernusco s. Naviglio (MI)
Tel. +39 02 929 04 91
info@knf.it
www.knf.it

Japan KNF Japan Co. Ltd.
Tokyo 104-0033
Tel. +81 3 3551 7931
info@knf.co.jp
www.knf.co.jp

Korea KNF Neuberger Ltd.
135-502 Seoul
Tel. +82 2 959 0255
knf@knfkorea.com
www.knfkorea.com

Latin America KNF Regional Office
Tel. +1 609 649 1010
gb@knf.com
www.knf.com/es

Morocco, Tunisia, Algeria
KNF Neuberger SAS
68128 Village-Neuf
Tel. +33 389 70 35 00
info@knf.fr
www.knf.fr

Singapore KNF Regional Office
Tel. +65 9722 1994
info@knf.com.sg
www.knf.com.sg

Sweden, Finland, Denmark, Norway
KNF Neuberger AB
117 43 Stockholm
Tel. +46 8 744 51 13
info@knf.se
www.knf.se

Switzerland KNF Neuberger AG
8362 Balzerswil
Tel. +41 71 973 99 30
knf@knf.ch
www.knf.ch

UK, Ireland KNF Neuberger U.K., Ltd.
Witney, Oxfordshire OX28 4FA
Tel. +44 1993 77 83 73
info@knf.co.uk
www.knf.co.uk

USA, Canada KNF Neuberger, Inc.
Trenton, NJ 08691-1810
Tel. +1 609 890 8600
knfusa@knf.com
www.knfusa.com

KNF PRODUCT CENTERS

Gas Pumps KNF Neuberger GmbH
DE-79112 Freiburg
info@knf.de
www.knf.de

Micro Gas Pumps KNF Micro AG
CH-6260 Reiden
info@knf-micro.ch
www.knf-micro.ch

Liquid Pumps KNF Flodos AG
CH-6210 Sursee
info@knf-flodos.ch
www.knf-flodos.ch