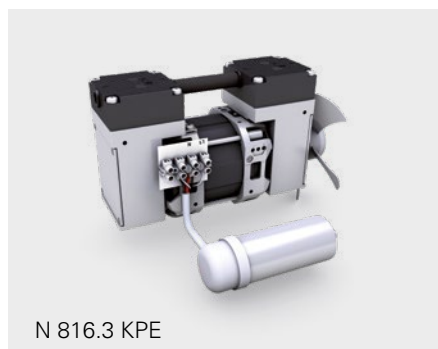


N 816.3 SERIES VACUUM PUMPS



N 816.3 KPE

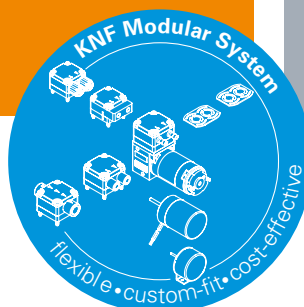
ADVANTAGES

- High level of performance in a compact size
- Copes well with vapor and condensation
- High-performing – collecting containers are evacuated quickly and reliably

POSSIBLE AREAS OF USE

- Diagnostics – disposal of sample waste
- Medical technology – especially autoclaves
- Mobile/portable gas measurement technology
- Stationary emission measurement technology (CEMS)

Please visit our website
www.knf.com
to get more information



PERFORMANCE DATA

Series model	N 816.3
Material design	KPE
Pump head	PPS
Diaphragm	EPDM
Valves	EPDM
Flow rate at atm. pressure (l/min)	16.0
Ultimate vacuum (mbar abs.)	15
Max. operating pressure (bar rel./psig)	0.5/7.3
Permissible ambient temperature (°C)	+5 ... +40
Permissible media temperature (°C)	+5 ... +40
Weight (kg/lbs)	3.0/6.6

ELECTRICAL DATA

Voltage (V)	230
Motor	Capacitor motor
Protection class motor	IP 00
Frequency (Hz)	50
Power P ₁ (W)	100.0
I _{max} (A)	0.60

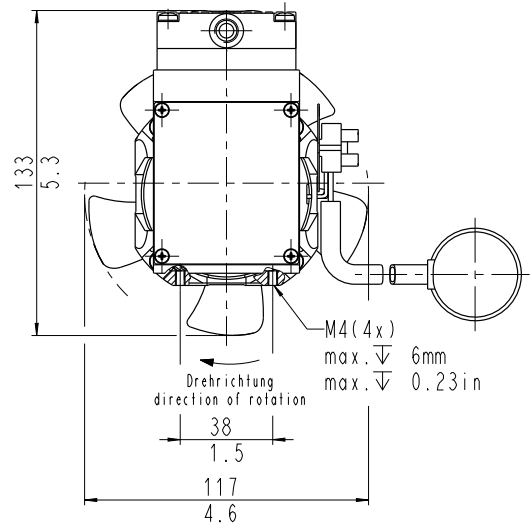
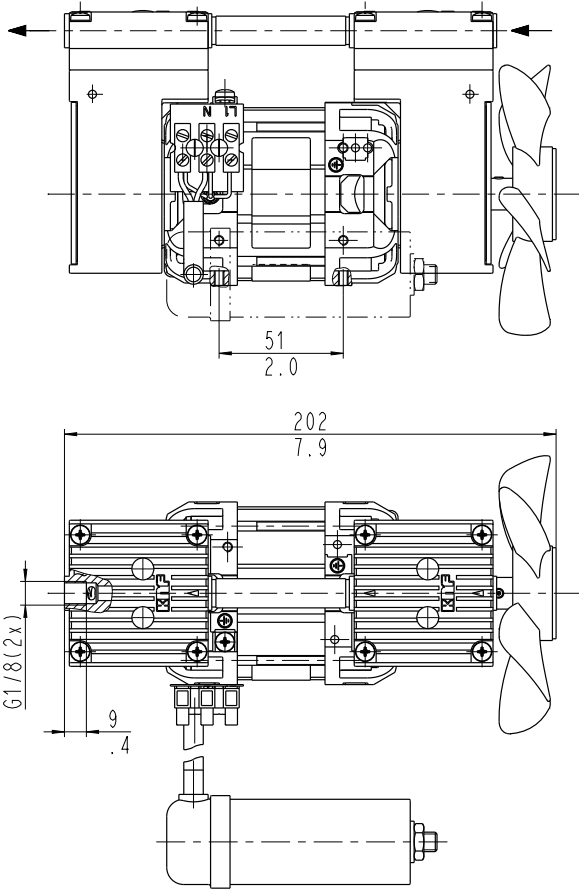
N 816.3 KPE

PERFORMANCE DATA

Series model	Flow rate at atm. pressure (l/min) ¹⁾	Max. operating pressure (bar rel./psig)	Ultimate vacuum (mbar abs.)
N 816.3 KPE	16.0	0.5/7.3	15

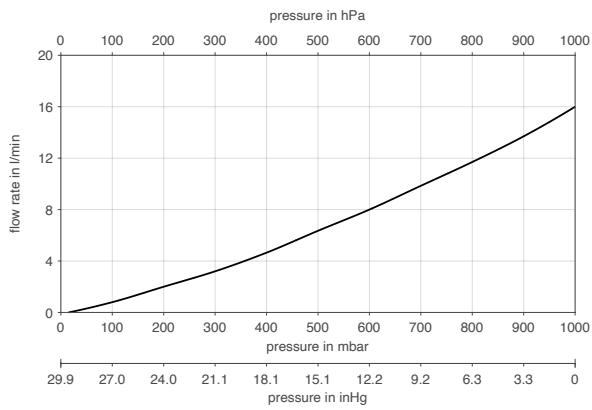
¹⁾ Liter at STP

N 816.3 KPE

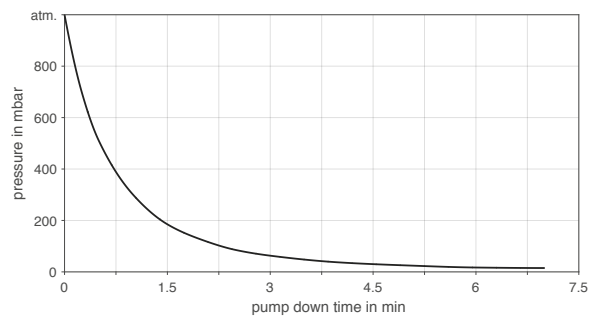


mm
in

N 816.3 KPE



N 816.3 KPE | PUMP DOWN TIME FOR 10 LITER VESSEL



SPARE PARTS

Description	Part No.
Valves/Sealing	059267
Diaphragm	052066
Sealing	048411
O-ring	048416

The performance values for the series models shown on this data sheet were determined under test conditions. The actual performance values may differ and depend in particular on the usage conditions and therefore on the specific application, on the parameters of the components involved in the user's system and on any technical modifications carried out which deviate from the standard configuration or the as delivered condition.

If individual designs have been created for specific customers on the basis of series models, other technical performance data may apply. Before operation begins, the relevant operating instructions and/or assembly or installation instructions should be read and the safety information contained in these instructions should be noted. KNF reserves the right to make changes to the product and the associated documentation without prior notice to the customer.



www.knf.com