

N 922 STAINLESS STEEL IP 20 SERIES VACUUM PUMPS AND COMPRESSORS



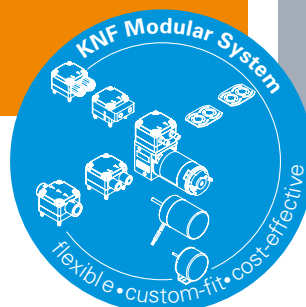
N 922 STE IP 20

ADVANTAGES

- High operating pressure of max. 6 bar rel.
- High level of gas tightness: 6×10^{-3} mbar x l/s according to type examination
- Base plate enables simple and quick assembly
- Versatile in pressure and vacuum applications
- Can be used for media and ambient temperatures of up to +60 °C

POSSIBLE AREAS OF USE

- Environmental monitoring
- Process industry
- Chemical industry



Please visit our website
www.knf.com
to get more information

PERFORMANCE DATA

Series model	N 922 IP 20 - 50 Hz Version			N 922 IP 20 - 60 Hz Version	
	STE	SPE		STE	SPE
Pump head	Stainless steel			Stainless steel	
Diaphragm	PTFE-coated	EPDM		PTFE-coated	EPDM
Valves	Stainless steel			Stainless steel	
Flow rate at atm. pressure (l/min)	21.0 ± 10 %	22.0 ± 10 %		24.0 ± 10 %	25.0 ± 10 %
Ultimate vacuum (mbar abs.)	110			110	
Max. operating pressure (bar rel./psig)	4.0/58.0 6.0/87.0 intermittent			4.0/58.0 6.0/87.0 intermittent	
Permissible ambient temperature (°C)	+5 ... +60 – 0 if frost-free (non-condensing)			+5 ... +60 – 0 if frost-free (non-condensing)	
Permissible media temperature (°C)	0 ... +60			0 ... +60	
Weight (kg/lbs)	7.0/15.4			7.0/15.4	

ELECTRICAL DATA

Voltage (V)	230	100	115	220	230/400
Motor	Capacitor motor				Three-phase motor
Protection class motor	IP 20				
Protection class pump	IP 20				
Frequency (Hz)	50	50/60	60	50/60	
Power P ₁ , 50 Hz (W)	155	125	-	160	
Power P ₁ , 60 Hz (W)	-	125	130	145	
I _{max} (A), 50 Hz	0.95	1.60	-	1.21/0.7	
I _{max} (A), 60 Hz	-	1.35	1.25	0.65	0.95/0.55

N 922 STE | CAPACITOR MOTOR

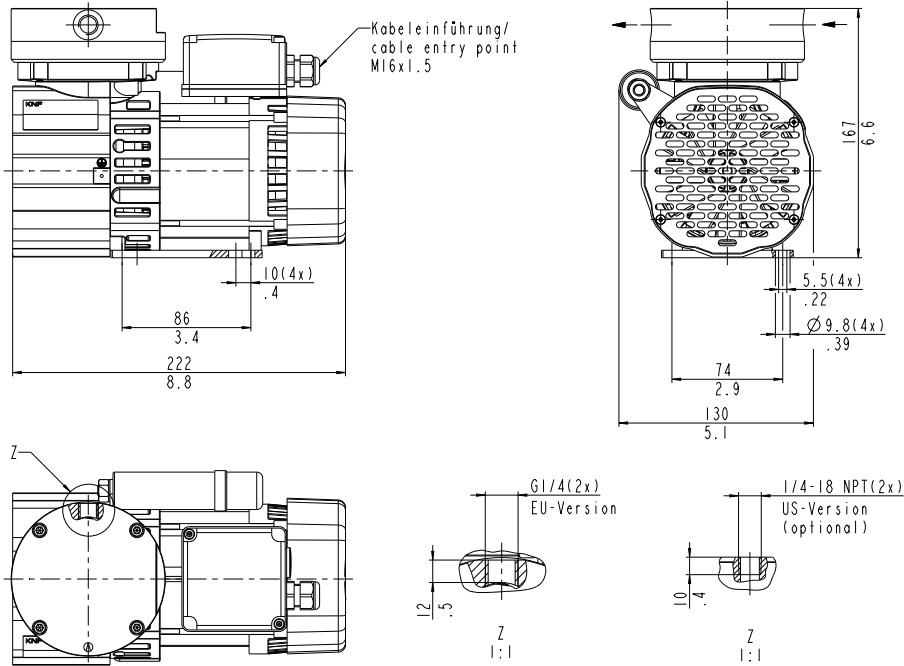
PERFORMANCE DATA

Series model	Flow rate at atm. pressure (l/min) ¹⁾	Max. operating pressure (bar rel./psig)	Ultimate vacuum (mbar abs.)
N 922 STE- 50 Hz	21.0 ± 10 %	6.0/87.0	110
N 922 STE- 60 Hz	24.0 ± 10 %	6.0/87.0	110

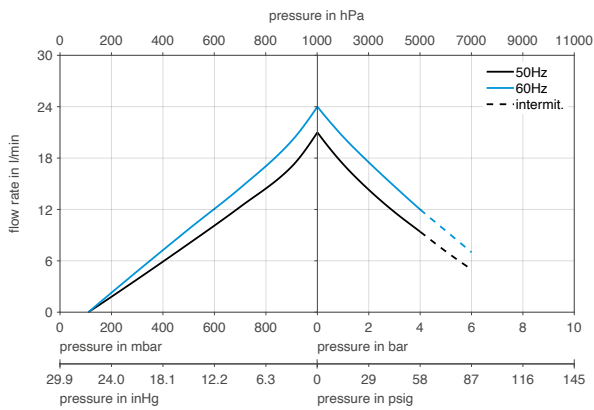
¹⁾ Flow rate determined at 20 °C, 1013 mbar abs.

(Pressure 0 to 1013 mbar abs. in accordance with ISO 21360-1/2)

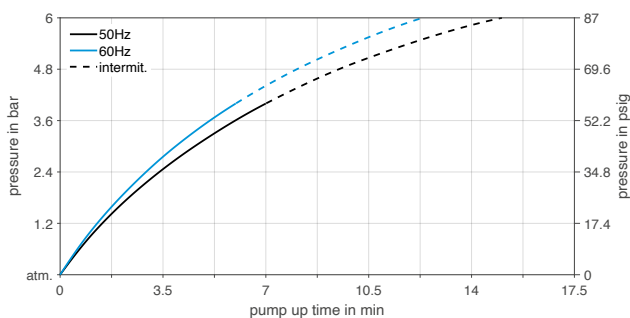
N 922 STE



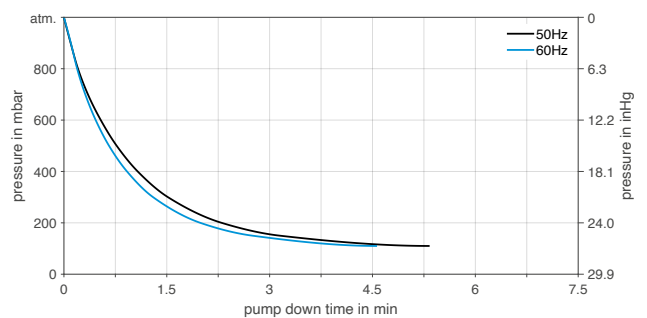
N 922 STE



N 922 STE | PUMP UP TIME FOR 20 LITER VESSEL



N 922 STE | PUMP DOWN TIME FOR 20 LITER VESSEL



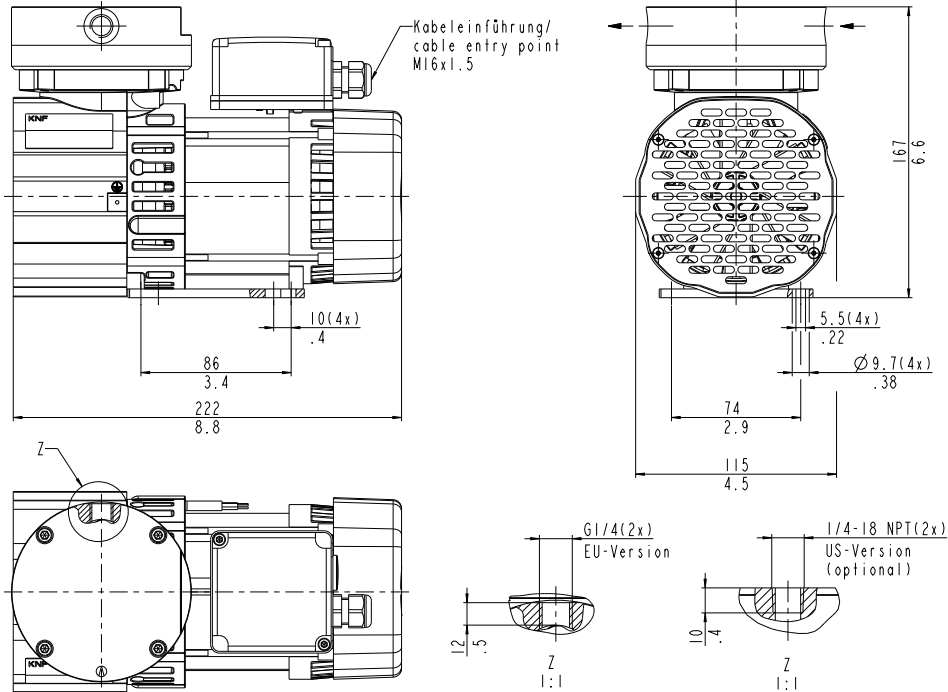
N 922 STE | THREE-PHASE MOTOR

PERFORMANCE DATA

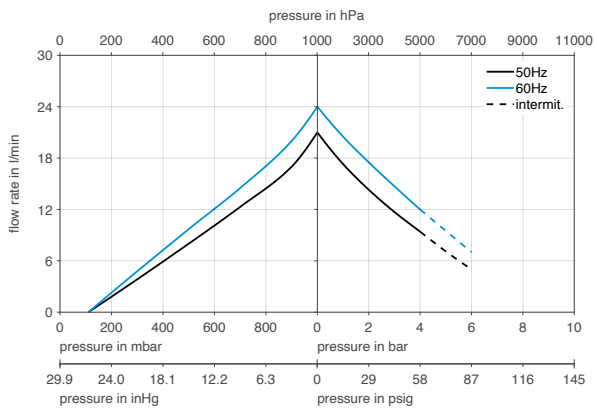
Series model	Flow rate at atm. pressure (l/min) ¹⁾	Max. operating pressure (bar rel./psig)	Ultimate vacuum (mbar abs.)
N 922 STE- 50 Hz	21.0 ± 10 %	6.0/87.0	110
N 922 STE- 60 Hz	24.0 ± 10 %	6.0/87.0	110

¹⁾ Flow rate determined at 20 °C, 1013 mbar abs.
(Pressure 0 to 1013 mbar abs. in accordance with ISO 21360-1/2)

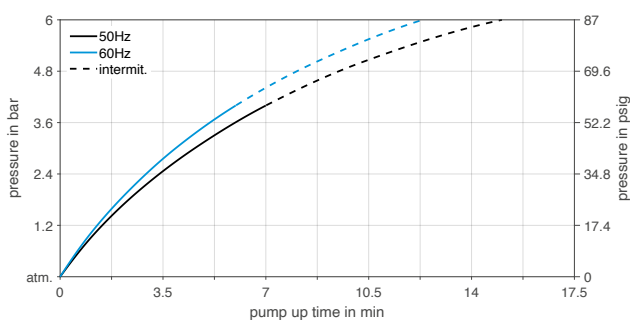
N 922 STE



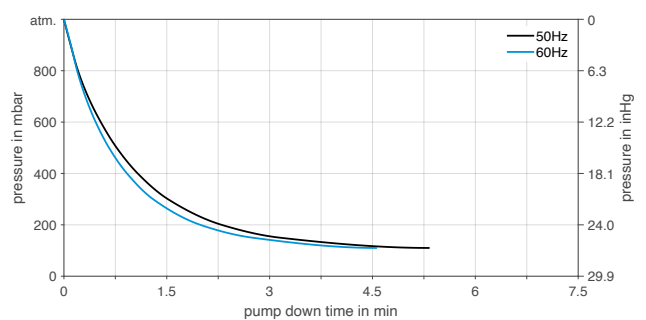
N 922 STE



N 922 STE | PUMP UP TIME FOR 20 LITER VESSEL



N 922 STE | PUMP DOWN TIME FOR 20 LITER VESSEL



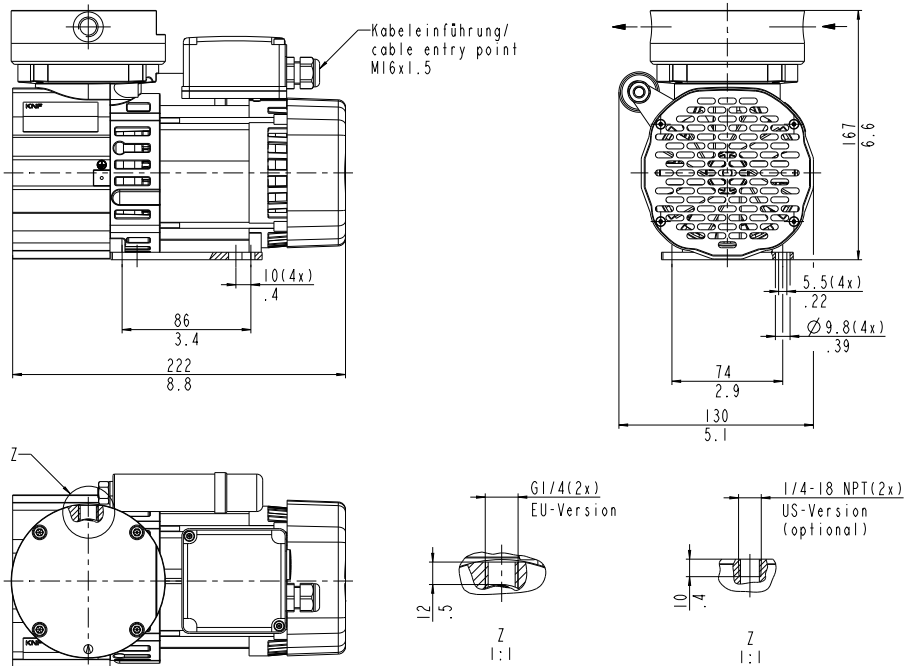
N 922 SPE | CAPACITOR MOTOR

PERFORMANCE DATA

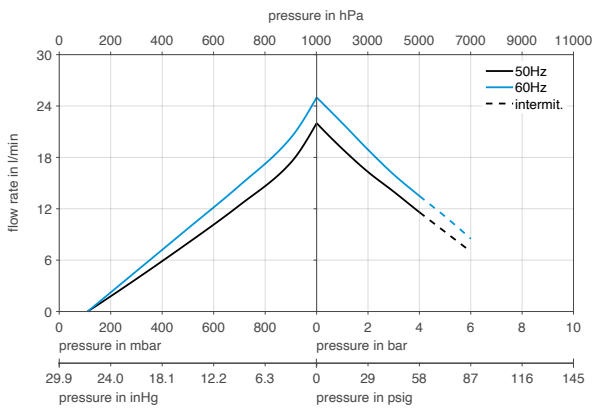
Series model	Flow rate at atm. pressure (l/min) ¹⁾	Max. operating pressure (bar rel./psig)	Ultimate vacuum (mbar abs.)
N 922 SPE- 50 Hz	22.0 ± 10 %	6.0/87.0	110
N 922 SPE- 60 Hz	25.0 ± 10 %	6.0/87.0	110

¹⁾ Flow rate determined at 20 °C, 1013 mbar abs.
(Pressure 0 to 1013 mbar abs. in accordance with ISO 21360-1/2)

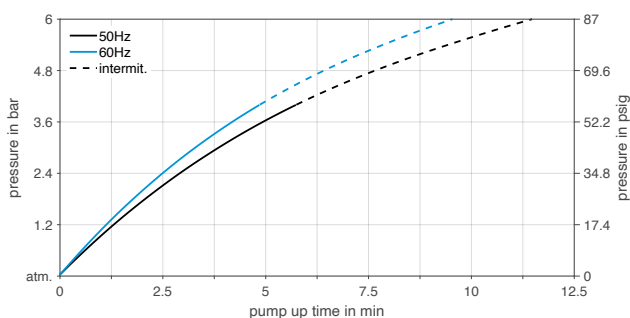
N 922 SPE



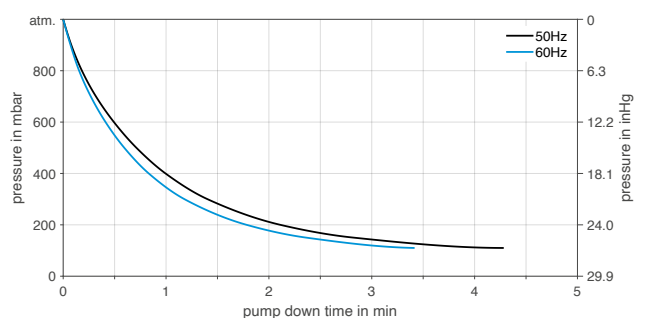
N 922 SPE



N 922 SPE | PUMP UP TIME FOR 20 LITER VESSEL



N 922 SPE | PUMP DOWN TIME FOR 20 LITER VESSEL



N 922 SPE | THREE-PHASE MOTOR

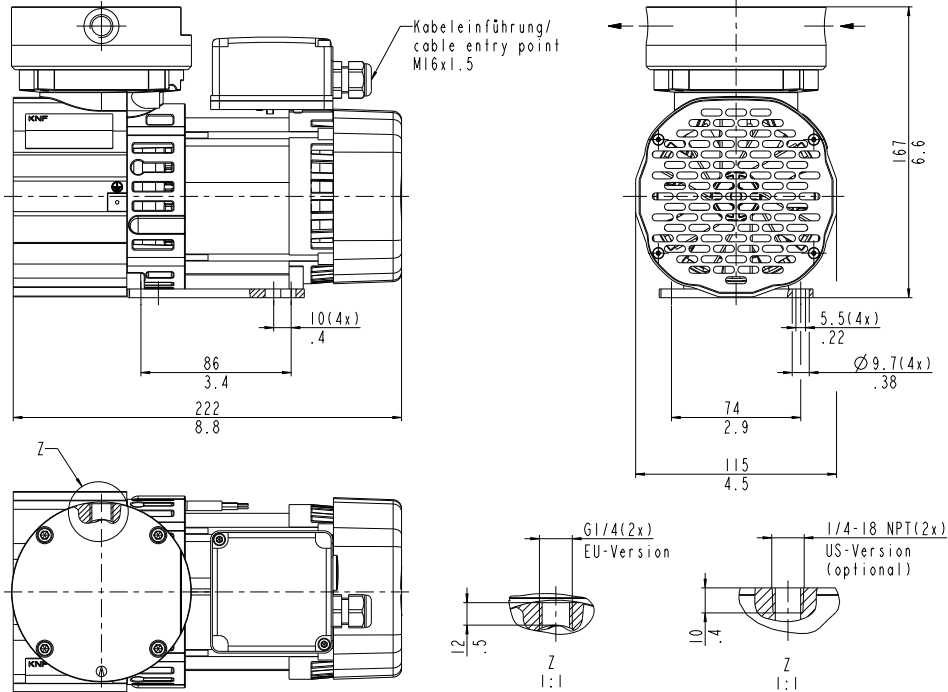
PERFORMANCE DATA

Series model	Flow rate at atm. pressure (l/min) ¹⁾	Max. operating pressure (bar rel./psig)	Ultimate vacuum (mbar abs.)
N 922 SPE- 50 Hz	22.0 ± 10 %	6.0/87.0	110
N 922 SPE- 60 Hz	25.0 ± 10 %	6.0/87.0	110

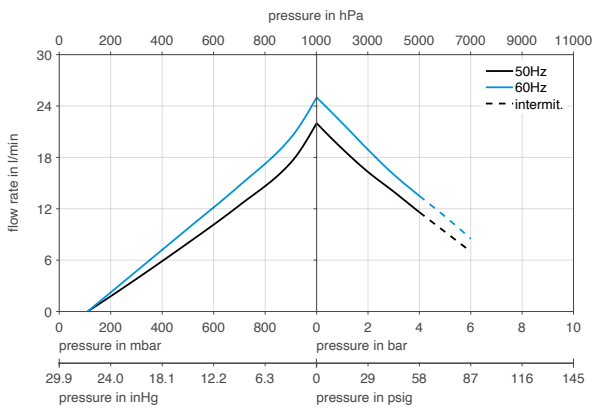
¹⁾ Flow rate determined at 20 °C, 1013 mbar abs.

(Pressure 0 to 1013 mbar abs. in accordance with ISO 21360-1/2)

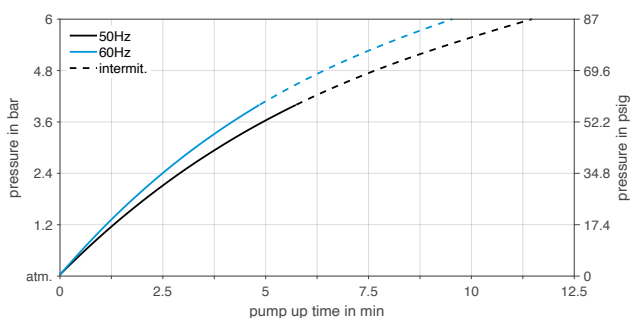
N 922 SPE



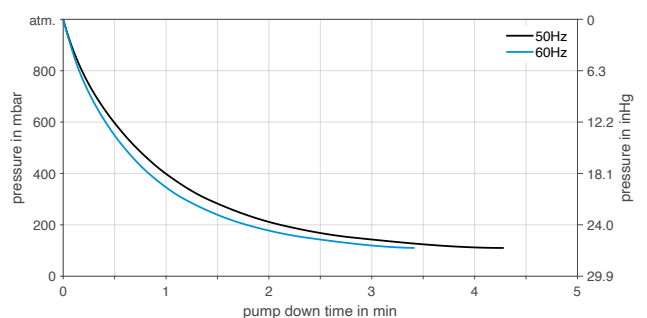
N 922 SPE






N 922 SPE | PUMP UP TIME FOR 20 LITER VESSEL



N 922 SPE | PUMP DOWN TIME FOR 20 LITER VESSEL



OPTIONS

Description	Illustration	Details
Mechanical adjustment of pumping capacity		The pumping capacity can be adjusted at the factory to accommodate inlet pressure and for accurate alignment with the customer's system.
Pump with mounting bracket		The mounting bracket can be mounted at the factory.
Cleaned contact material parts		For the use of the pump with gases with high oxygen concentrations the parts that come into contact with the medium can be cleaned using a certified process.
Silcotec coating		The head components may be coated with SilcoTek™.

ACCESSORIES

Description	Illustration	Part No.	Details
Straight compression fitting OD 10		317086	Stainless steel, G 1/4
Elbow compression fitting OD 10		318946	Stainless steel, G 1/4

SPARE PARTS

Description	Illustration	Part No.	Details
Spare parts kit N 922 STE		328447	Spare parts kit consists of: 1x diaphragm, 2x reed valves, 2x valve stoppers, 2x screws, 3x O-rings. This set is required to maintain the pump.
Spare parts kit N 922 SPE		331313	Spare parts kit consists of: 1x diaphragm, 2x reed valves, 2x valve stoppers, 2x screws, 3x O-rings. This set is required to maintain the pump.

The performance values for the series models shown on this data sheet were determined under test conditions. The actual performance values may differ and depend in particular on the usage conditions and therefore on the specific application, on the parameters of the components involved in the user's system and on any technical modifications carried out which deviate from the standard configuration or the as delivered condition.

If individual designs have been created for specific customers on the basis of series models, other technical performance data may apply. Before operation begins, the relevant operating instructions and/or assembly or installation instructions should be read and the safety information contained in these instructions should be noted. KNF reserves the right to make changes to the product and the associated documentation without prior notice to the customer.



www.knf.com