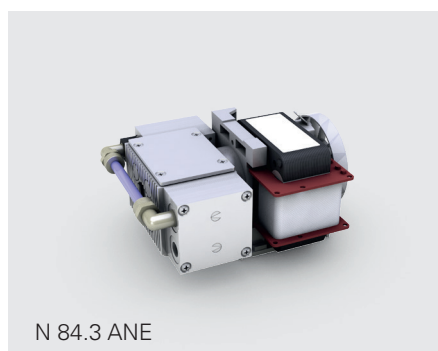
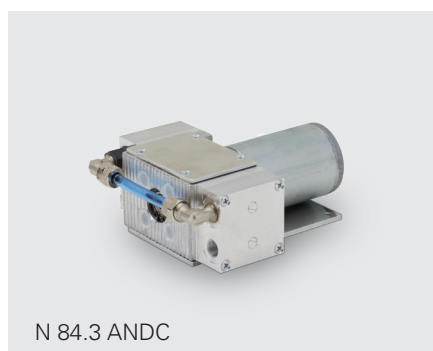


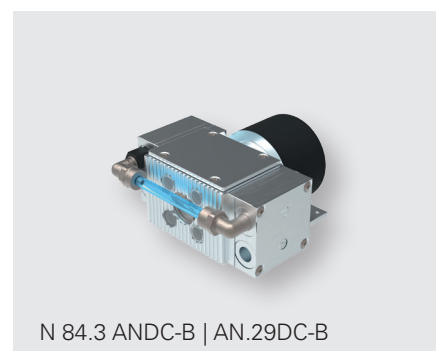
N 84.3 SERIES VACUUM PUMPS



N 84.3 ANE



N 84.3 ANDC



N 84.3 ANDC-B | AN.29DC-B

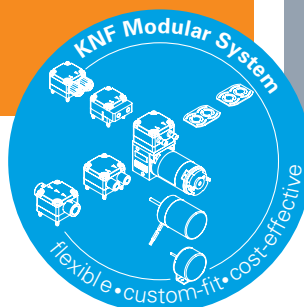
ADVANTAGES

- High-speed evacuation of the measurement chamber thanks to exceptional suction speed
- High flow rate in deep vacuum
- Stable vacuum in the transfer area to the turbomolecular pump

POSSIBLE AREAS OF USE

- Can be used as roughing pump for turbomolecular pumps
- Degassing – removal of dissolved gas from the ink
- Analytical technology

Please visit our website
www.knf.com
to get more information



PERFORMANCE DATA				
Series model	N 84.3			
Material design	ANE	ANDC	ANDC-B	AN.29DC-B
Pump head	Aluminum			
Diaphragm	PTFE-coated			
Valves	EPDM			
Flow rate at atm. pressure (l/min) ¹⁾³⁾	4.2	5.0	4.8	2–4.8
Ultimate vacuum (mbar abs./inHg) ¹⁾	7/29.3		7/29.3	7/29.3
Max. operating pressure (bar rel./psig) ¹⁾²⁾	0.3/4.4			
Permissible ambient temperature (°C/°F)	+5 °C ... +40 °C / 41 °F ... 104 °F			
Permissible media temperature (°C/°F)	+5 °C ... +40 °C / 41 °F ... 104 °F			
Weight (kg/lbs)	1.4/3.1	0.9/2.0	0.8/1.7	
ELECTRICAL DATA				
Voltage (V)	115/230	12	24	24
Motor	Shaded pole motor	DC motor		Brushless DC motor
Protection class motor	IP 00	IP 50		IP 20
Frequency (Hz)	50/60	-		
Power P ₁ (W)	65.0			13
I _{max} (A)	0.75	1.50	0.75	0.55

¹⁾expanded performance available upon request

²⁾bar rel relative to 1013 hPa

³⁾Flow rate determined at 20 °C, 1000 mbar abs. (Pressure 0 to 1000 mbar abs. in accordance with ISO 21360/ISO 8778)

N 84.3 ANE

PERFORMANCE DATA

Series model	Flow rate at atm. pressure (l/min) ¹⁾³⁾	Max. operating pressure (bar rel./psig) ¹⁾²⁾	Ultimate vacuum (mbar abs. /inHg) ¹⁾
N 84.3 ANE	4.2	0.3/4.4	7/29.3

¹⁾expanded performance available upon request

²⁾bar rel relative to 1013 hPa

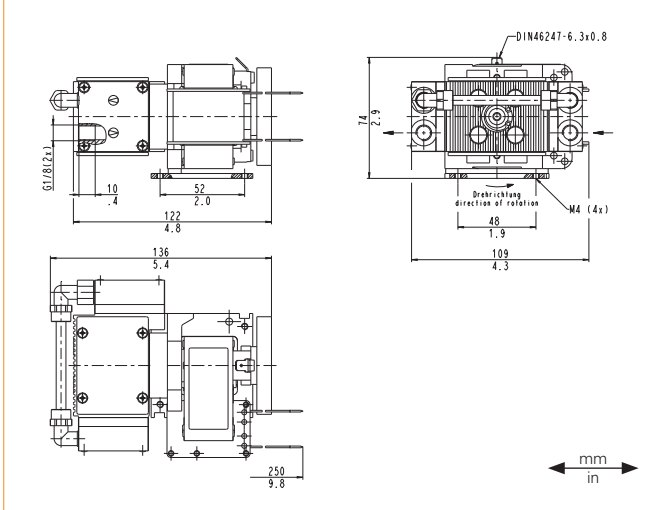
³⁾Flow rate determined at 20 °C, 1000 mbar abs. (Pressure 0 to 1000 mbar abs. in accordance with ISO 21360/ISO 8778)

N 84.3 ANDC

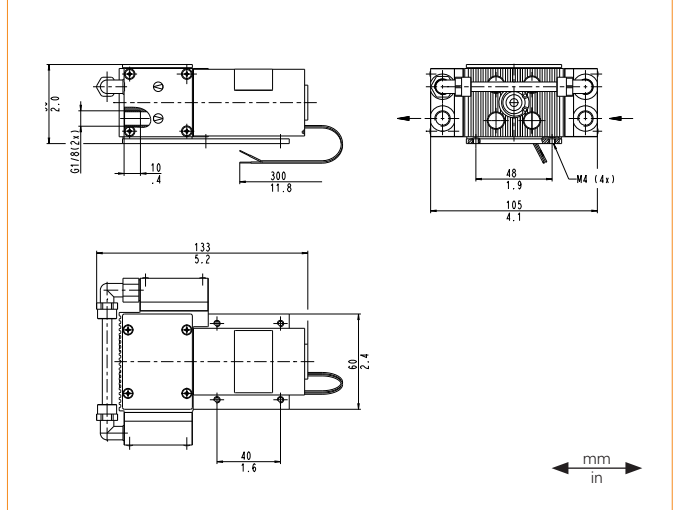
PERFORMANCE DATA

Series model	Flow rate at atm. pressure (l/min) ¹⁾³⁾	Max. operating pressure (bar rel./psig) ¹⁾²⁾	Ultimate vacuum (mbar abs. /inHg) ¹⁾
N 84.3 ANDC	5.0	0.3/4.4	7/29.3

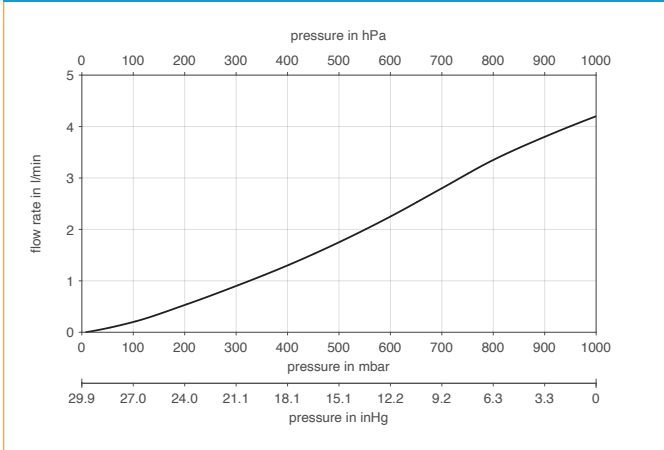
N 84.3 ANE



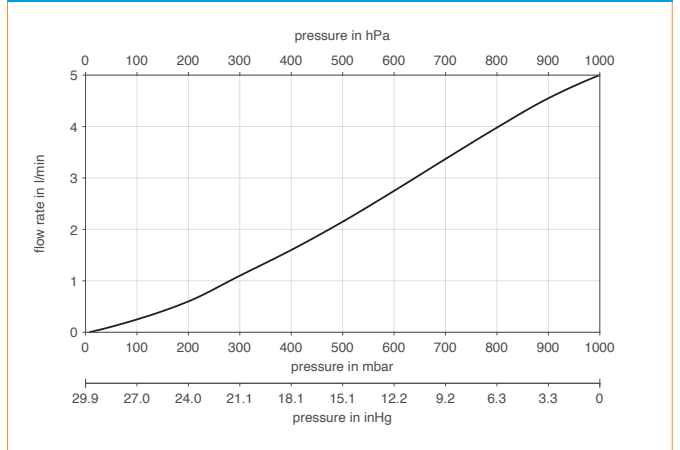
N 84.3 ANDC



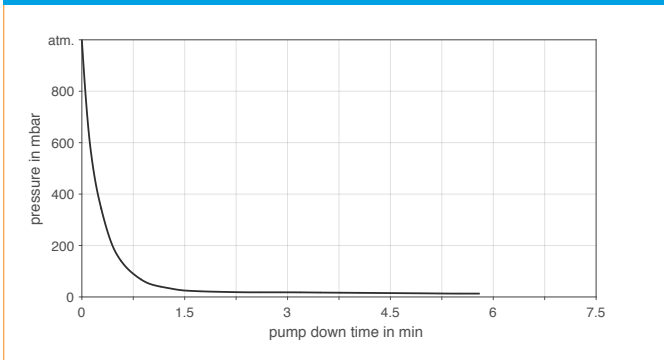
N 84.3 ANE



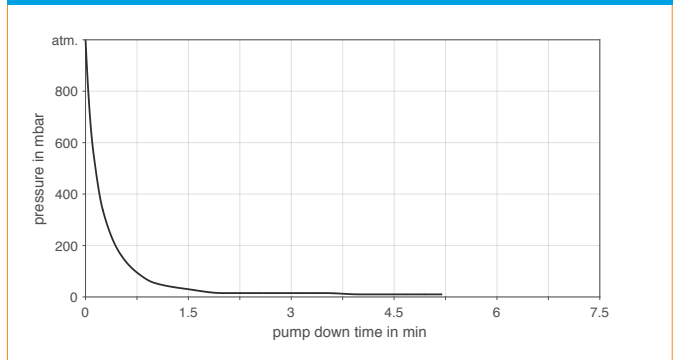
N 84.3 ANDC



N 84.3 ANE | PUMP DOWN TIME FOR 1 LITER VESSEL



N 84.3 ANDC | PUMP DOWN TIME FOR 1 LITER VESSEL



N 84.3 ANDC-B | AN.29DC-B

PERFORMANCE DATA

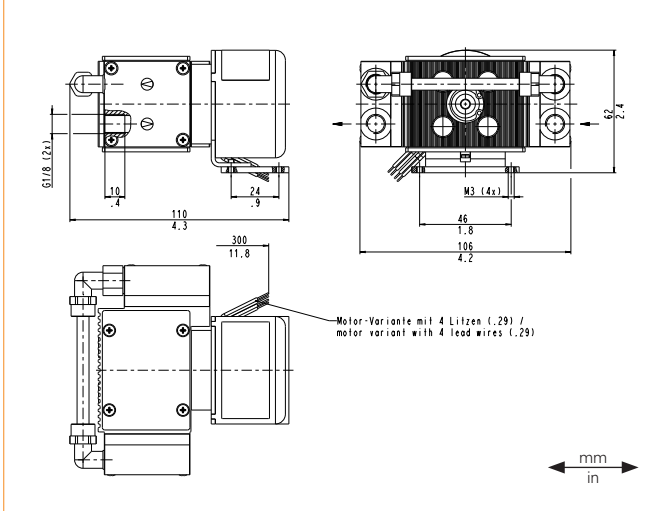
Series model	Flow rate at atm. pressure (l/min) ¹⁾³⁾	Max. operating pressure (bar rel./psig) ¹⁾²⁾	Ultimate vacuum (mbar abs. /inHg) ¹⁾
N 84.3 ANDC-B	4.8	0.3/4.4	7/29.3
N 84.3 AN.29DC-B	2-4.8	0.3/4.4	7/29.3

¹⁾expanded performance available upon request

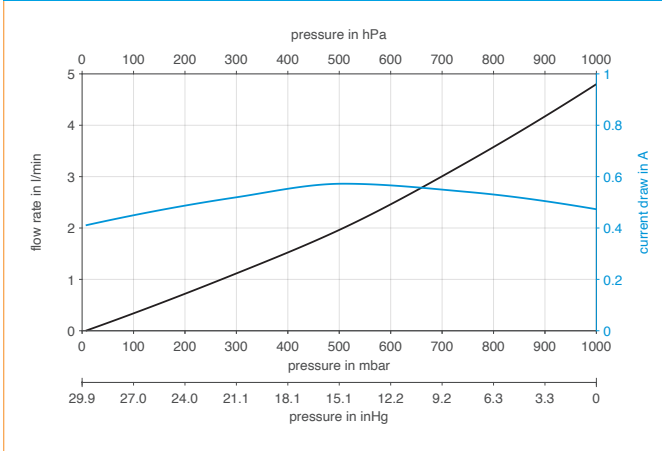
²⁾bar rel relative to 1013 hPa

³⁾Flow rate determined at 20 °C, 1000 mbar abs. (Pressure 0 to 1000 mbar abs. in accordance with ISO 21360/ISO 8778)

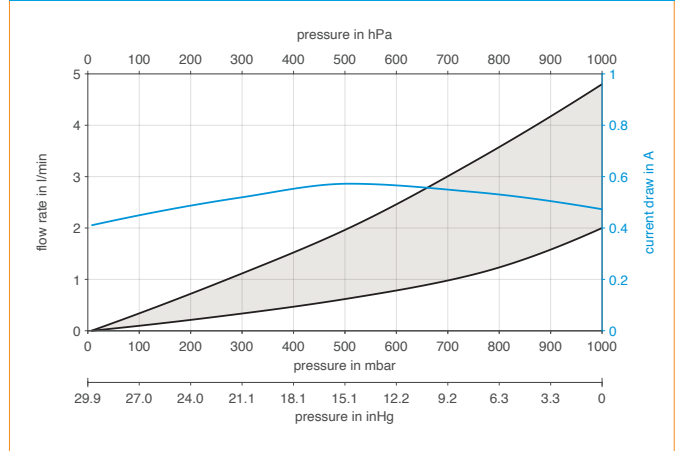
N 84.3 ANDC-B (2 WIRE) | AN.29DC-B (4 WIRE)



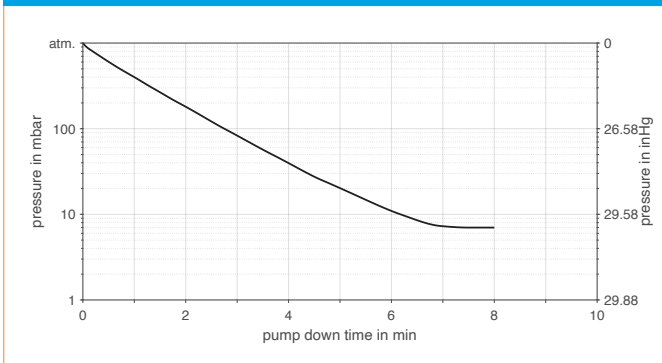
N 84.3 ANDC-B



N 84.3 AN.29DC-B




N 84.3 ANDC-B | AN.29DC-B PUMP DOWN TIME FOR 5 LITER VESSEL



ACCESSORIES

Description	Illustration	Part No.	Details
Silencer/Inlet filter		000345	G 1/8
Hose connector		001936	G 1/8 PA
Rubber foot		024435	2x (for N 84.3 ANE)

SPARE PARTS

Description	Illustration	Part No.	Details
Spare parts kit N 84.3 AN		342829	Spare parts kit consists of: 2x structured diaphragm 4x valve plate 4x sealing ring This set is required to maintain the pump.

The performance values for the series models shown on this data sheet were determined under test conditions. The actual performance values may differ and depend in particular on the usage conditions and therefore on the specific application, on the parameters of the components involved in the user's system and on any technical modifications carried out which deviate from the standard configuration or the as delivered condition.

If individual designs have been created for specific customers on the basis of series models, other technical performance data may apply. Before operation begins, the relevant operating instructions and/or assembly or installation instructions should be read and the safety information contained in these instructions should be noted. KNF reserves the right to make changes to the product and the associated documentation without prior notice to the customer.



www.knf.com