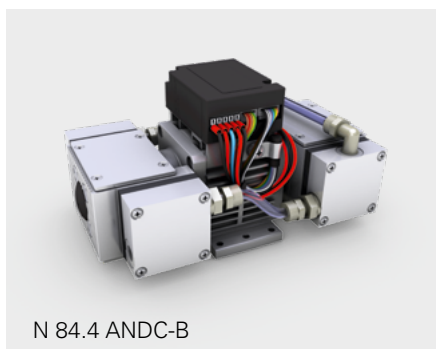
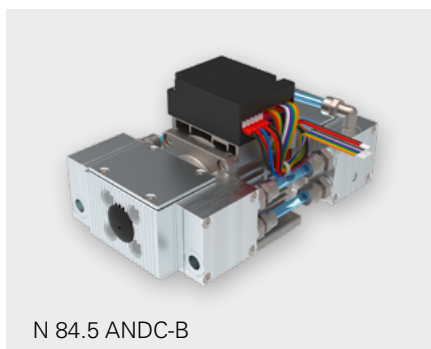


N 84.4 / N 84.5 SERIES VACUUM PUMPS



N 84.4 ANDC-B



N 84.5 ANDC-B

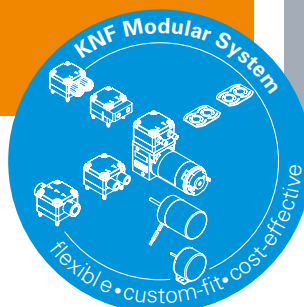
ADVANTAGES

- High-speed evacuation of the measurement chamber thanks to exceptional suction speed
- High flow rate in deep vacuum
- Stable vacuum in the transfer area to the turbomolecular pump

POSSIBLE AREAS OF USE

- Can be used as roughing pump for turbomolecular pumps
- Degassing – removal of dissolved gas from the ink
- Analytical technology

Please visit our website
www.knf.com
to get more information



PERFORMANCE DATA					
Series model	N 84.4			N 84.5	
Material design	ANDC	ANDC-B	AN.29DC-B	ANDC-B	AN.29DC-B
Pump head	Aluminum				
Diaphragm	PTFE-coated				
Valves	EPDM				
Flow rate at atm. pressure (l/min)	4.8	4.8	1-4.8	10	2.2-10
Ultimate vacuum (mbar abs.)	2	up to 2		1	1
Max. operating pressure (bar rel./psig)	0.3/4.4			0.1/1.45	
Permissible ambient temperature (°C)	+5 ... +40				
Permissible media temperature (°C)	+5 ... +40				
Weight (kg/lbs)	1.6/3.5	1.8/4.0		1.9/4.2	1.9/4.2
ELECTRICAL DATA					
Voltage (V)	12 24		24		
Motor	DC motor		Brushless DC motor		
Protection class motor	IP 50		IP 20		
Power P ₁ (W)			38		
I _{max} (A)	1.30 0.85		1.6		

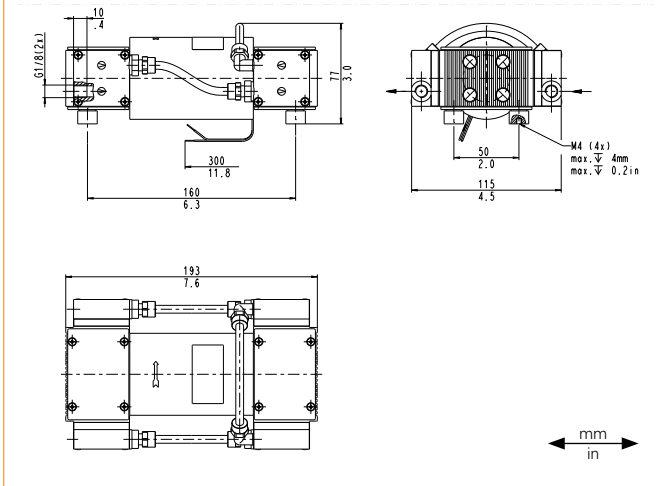
N 84.4 ANDC

PERFORMANCE DATA

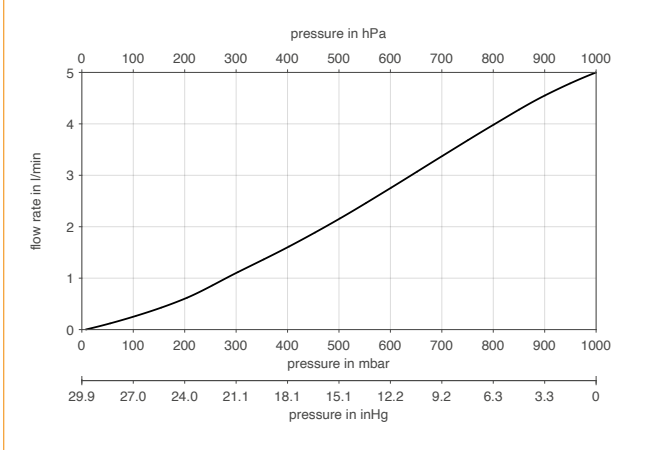
Series model	Flow rate at atm. pressure (l/min) ¹⁾	Max. operating pressure (bar rel./psig)	Ultimate vacuum (mbar abs.)
N 84.4 ANDC	4.8	0.3/4.4	2

¹⁾ Liter at STP

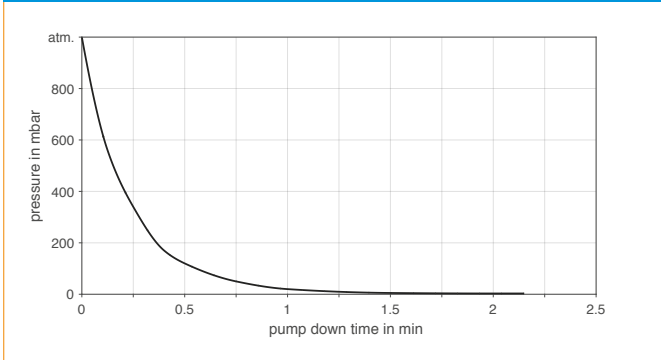
N 84.4 ANDC



N 84.4 ANDC



N 84.4 ANDC | PUMP DOWN TIME FOR 1 LITER VESSEL



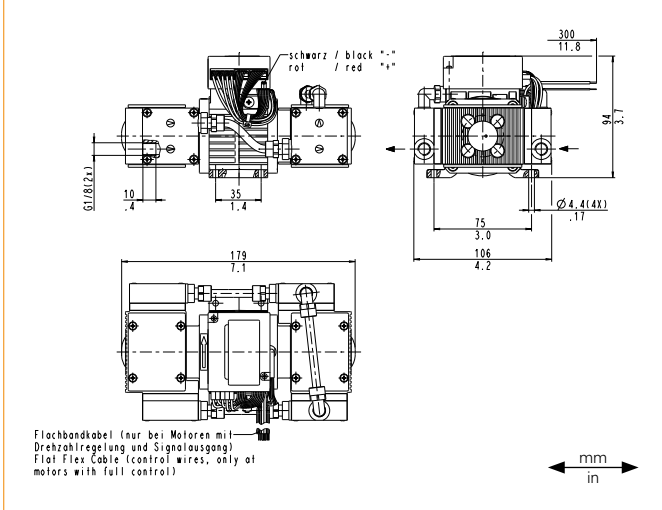
N 84.4 ANDC-B | AN.29DC-B

PERFORMANCE DATA

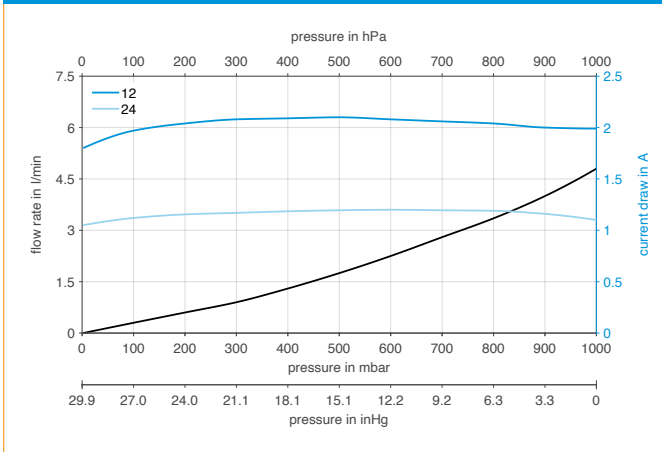
Series model	Flow rate at atm. pressure (l/min) ¹⁾	Max. operating pressure (bar rel./psig)	Ultimate vacuum (mbar abs.)
N 84.4 ANDC-B	4.8	0.3/4.4	2
N 84.4 AN.29DC-B	1-4.8	0.3/4.4	2

¹⁾ Liter at STP

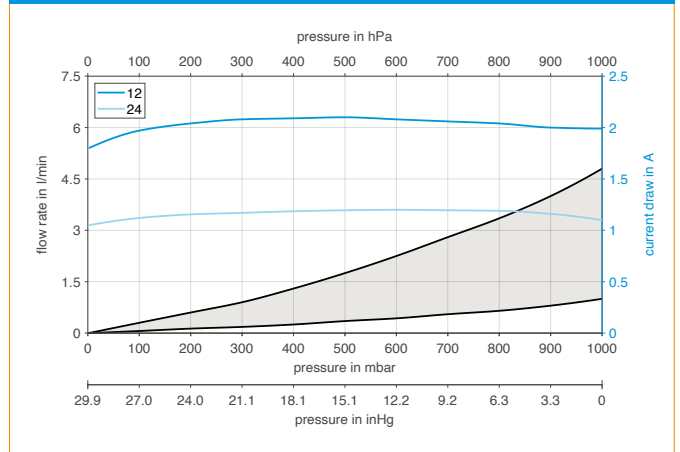
N 84.4 ANDC-B (2 wire) | AN.29DC-B (4 wire)



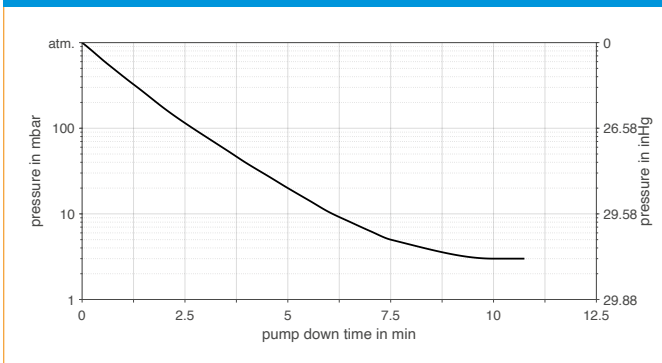
N 84.4 ANDC-B



N 84.4 AN.29DC-B



N 84.4 ANDC-B | AN.29DC-B PUMP DOWN TIME FOR 5 LITER VESSEL



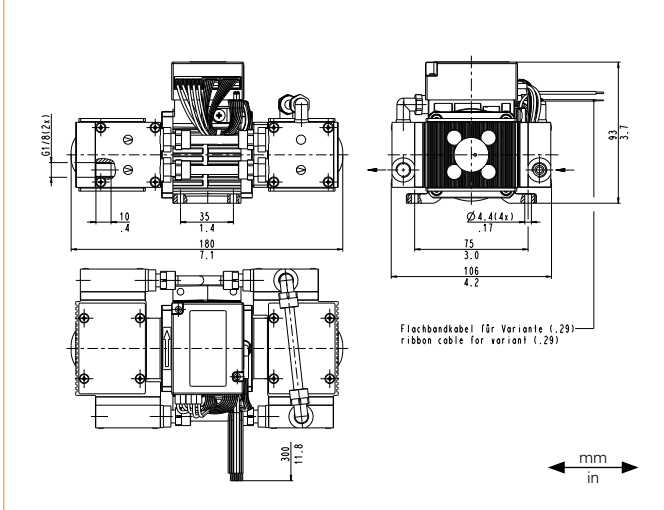
N 84.5 ANDC-B | AN.29DC-B

PERFORMANCE DATA

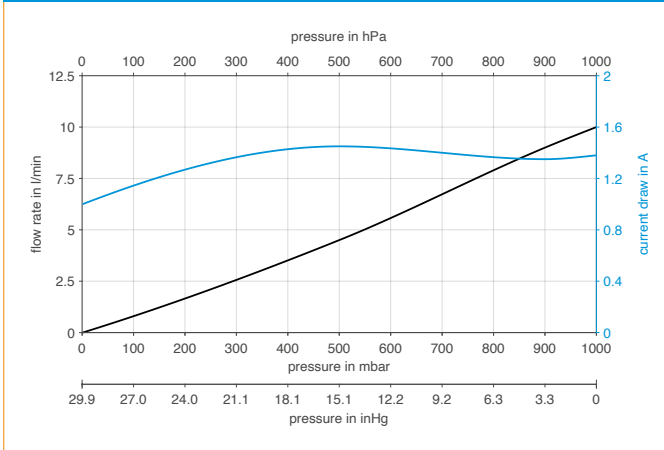
Series model	Flow rate at atm. pressure (l/min) ¹⁾	Max. operating pressure (bar rel./psig)	Ultimate vacuum (mbar abs.)
N 84.5 ANDC-B	10	0.1/1.45	1
N 84.5 AN.29DC-B	2.2-10	0.1/1.45	1

¹⁾ Liter at STP

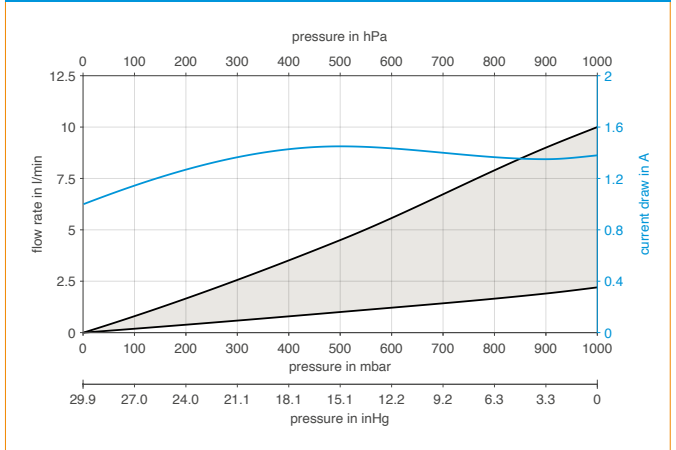
N 84.5 ANDC-B (2 wire) | AN.29DC-B (4 wire)



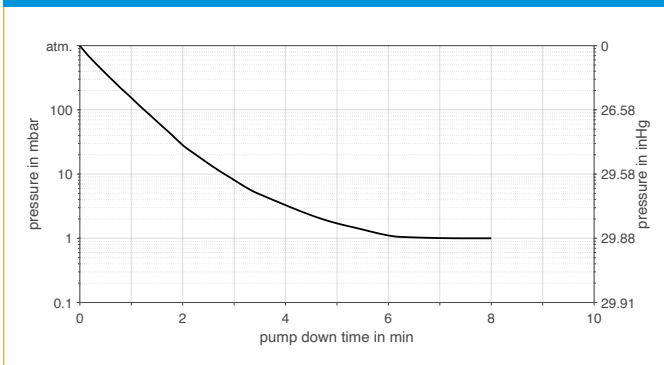
N 84.5 ANDC-B





N 84.5 AN.29DC-B




N 84.5 ANDC-B | AN.29DC-B PUMP DOWN TIME FOR 5 LITER VESSEL



ACCESSORIES

Description	Illustration	Part No.	Details
Silencer/Inlet filter		000345	G 1/8 D16X41
Hose connector		001936	G 1/8 PA ID4

SPARE PARTS

Description	Illustration	Part No.	Details
Spare parts kit N 84.4 AN Spare parts kit N 84.5 AN		342830	Spare parts kit consists of: 4x structured diaphragm 8x valve plate 8x sealing ring This set is required to maintain the pump.

The performance values for the series models shown on this data sheet were determined under test conditions. The actual performance values may differ and depend in particular on the usage conditions and therefore on the specific application, on the parameters of the components involved in the user's system and on any technical modifications carried out which deviate from the standard configuration or the as delivered condition.

If individual designs have been created for specific customers on the basis of series models, other technical performance data may apply. Before operation begins, the relevant operating instructions and/or assembly or installation instructions should be read and the safety information contained in these instructions should be noted. KNF reserves the right to make changes to the product and the associated documentation without prior notice to the customer.



www.knf.com