

N 86.3 SERIES VACUUM PUMPS AND COMPRESSORS



N 86.3 KTDC



N 86.3 KTDC-B | KT.29DC-B

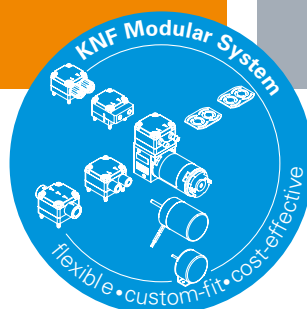
ADVANTAGES

- High chemical resistance
- Robust design
- Copes well with vapor and condensation

POSSIBLE AREAS OF USE

- Stationary emission measurement technology (CEMS)
- Mobile/portable gas measurement technology
- Instrumental analysis
- Medical technology – especially diagnostics

Please visit our website
www.knf.com
to get more information



PERFORMANCE DATA			
Series model	N 86.3		
Material design	KTDC	KTDC-B	KT.29DC-B
Pump head	PPS		
Diaphragm	PTFE-coated		
Valves	FFPM		
Flow rate at atm. pressure (l/min)	5.5	4.2	1.7–4.2
Ultimate vacuum (mbar abs.)	30		
Max. operating pressure (bar rel./psig)	0.3/4.35	0.1/1.45	
Permissible ambient temperature (°C)	+5 ... +40		
Permissible media temperature (°C)	+5 ... +40		
Weight (kg/ lbs)	0.8/1.8		0.7/1.5
ELECTRICAL DATA			
Voltage (V)	24		
Motor	DC Motor	Brushless DC motor	
Protection class motor	IP 20	IP 30	
Power P ₁ (W)	18.2	17	
I _{max} (A)	0.76	0.5	

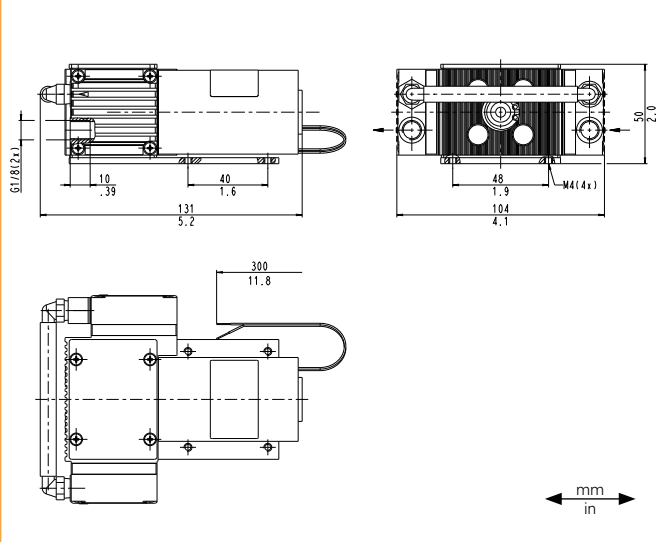
N 86.3 KTDC

PERFORMANCE DATA

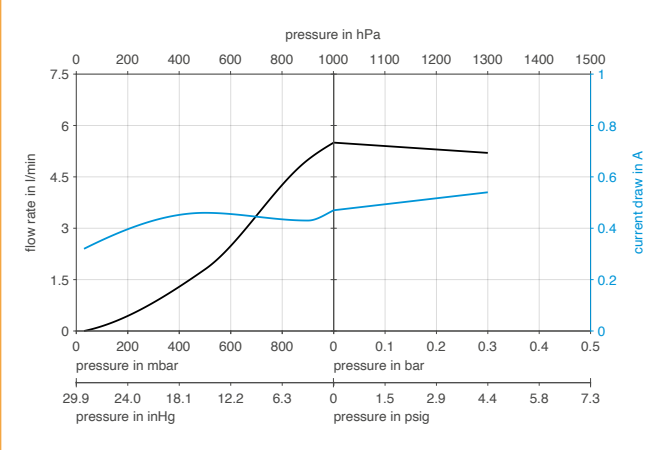
Series model	Flow rate at atm. pressure (l/min) ¹⁾	Max. operating pressure (bar rel./psig)	Ultimate vacuum (mbar abs.)
N 86.3 KTDC	5.5	0.3/4.35	30

¹⁾Liter at STP

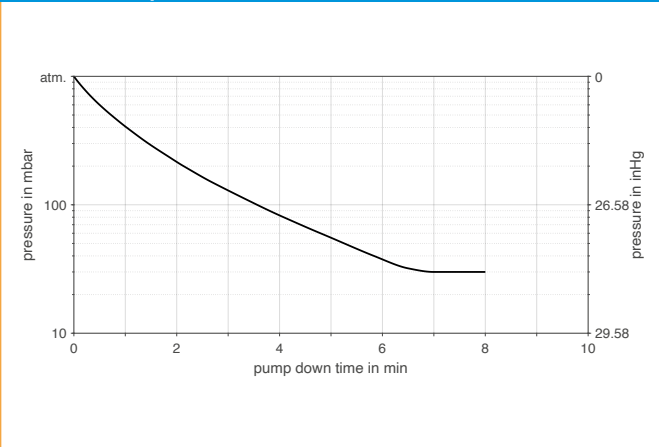
N 86.3 KTDC



N 86.3 KTDC



N 86.3 KTDC | PUMP DOWNTIME FOR 5 LITER VESSEL



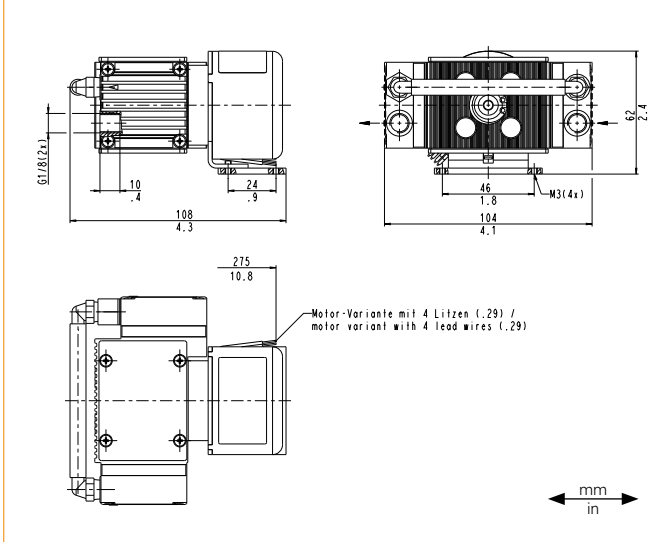
N 86.3 KTDC-B | KT.29DC-B

PERFORMANCE DATA

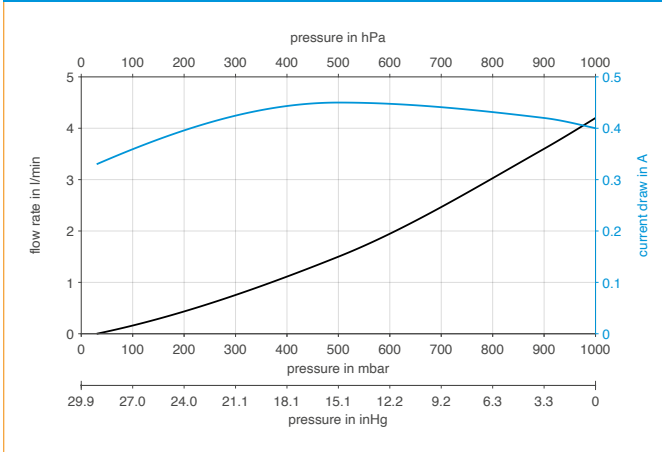
Series model	Flow rate at atm. pressure (l/min) ¹⁾	Max. operating pressure (bar rel./psig)	Ultimate vacuum (mbar abs.)
N 86.3 KTDC-B	4.2	0.1/1.45	30
N 86.3 KT.29DC-B	1.7-4.2	0.1/1.45	30

¹⁾Liter at STP

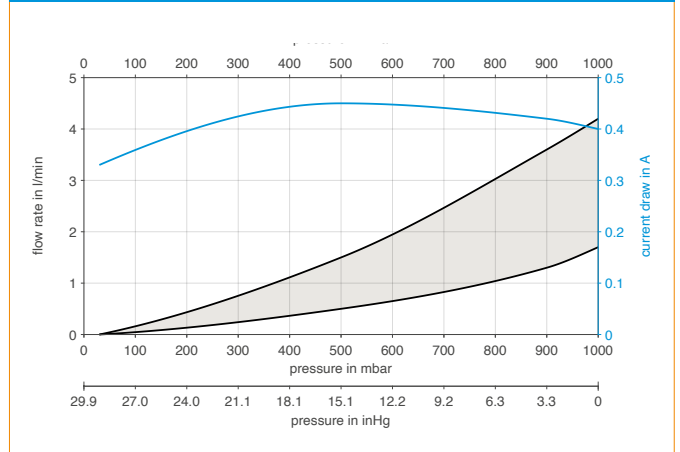
N 86.3 KTDC-B (2 wire) | KT.29DC-B (4 wire)



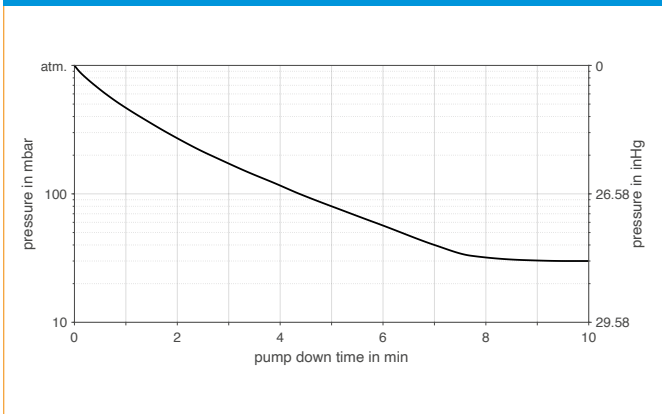
N 86.3 KTDC-B





N 86.3 KT.29DC-B




N86.3 KTDC-B | KT.29DC-B PUMP DOWN TIME FOR 5 LITER VESSEL



ACCESSORIES

Description	Illustration	Part No.	Details
Silencer		000345	D16x41, G1/8
Inlet filter		000346	G1/8
Hose connector		001936	PA, R1/8
Hose connector		025671	PVDF, G1/8

ERSATZTEILE

Description	Illustration	Part No.	Details
Spare parts kit N 86.3 KT_		342832	Spare parts kit consists of: 2x structured diaphragm 4x valve This set is required to maintain the pump.

The performance values for the series models shown on this data sheet were determined under test conditions. The actual performance values may differ and depend in particular on the usage conditions and therefore on the specific application, on the parameters of the components involved in the user's system and on any technical modifications carried out which deviate from the standard configuration or the as delivered condition.

If individual designs have been created for specific customers on the basis of series models, other technical performance data may apply. Before operation begins, the relevant operating instructions and/or assembly or installation instructions should be read and the safety information contained in these instructions should be noted. KNF reserves the right to make changes to the product and the associated documentation without prior notice to the customer.



www.knf.com