

# N 035 SERIES VACUUM PUMPS AND COMPRESSORS



N 035 ANE

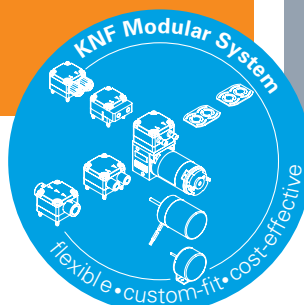
## ADVANTAGES

- Versatile in pressure and vacuum applications
- Durable even with difficult operating conditions
- High chemical resistance

## POSSIBLE AREAS OF USE

- Process industry
- Chemical industry
- Analytical technology – overpressure filtration

Please visit our website  
[www.knf.com](http://www.knf.com)  
to get more information



PERFORMANCE DATA						
Series model	N 035					
Material design	ANE	AVE	ATE	SNE	SVE	STE
Pump head	Aluminum			Stainless steel		
Diaphragm	EPDM	FPM	PTFE-coated	EPDM	FPM	PTFE-coated
Valves	Stainless steel			EPDM	FPM	PTFE
Flow rate at atm. pressure (l/min) <sup>2)</sup>	30.0		27.0	30.0		27.0
Ultimate vacuum (mbar abs.)	100					
Max. operating pressure (bar rel./psig) <sup>1)</sup>	4.0/58.0	2.0/29.0	4.0/58.0		2.0/29.0	4.0/58.0
Permissible ambient temperature (°C)	+5 ... +40					
Permissible media temperature (°C)	+5 ... +40					
Weight (kg/lbs)	7.8/17.2					
ELECTRICAL DATA						
Voltage (V)	230					
Motor	Capacitor motor					
Protection class motor	IP 44					
Frequency (Hz)	50					
Power P <sub>1</sub> (W)	230					
I <sub>max</sub> (A)	1.7					

<sup>1)</sup> bar relative to 1000 hPa; <sup>2)</sup> Liter in the standard state (based on ISO 8788 and ISO 21360-1/2) (1000 hPa, 20°C)

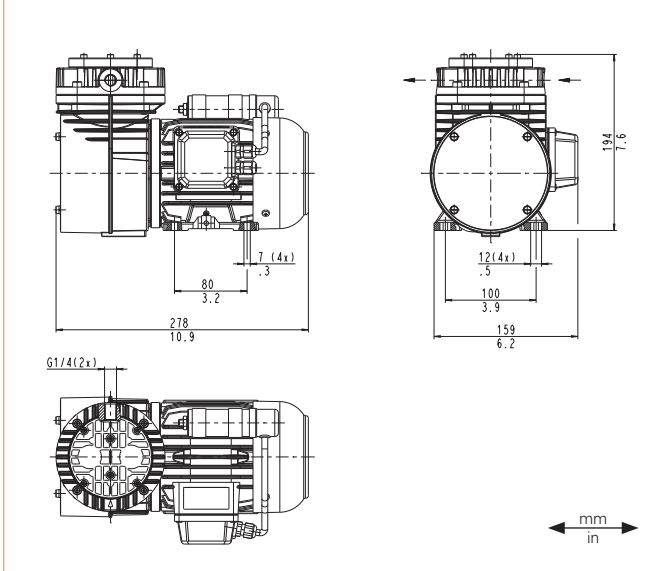
# N 035 ANE | AVE | ATE | SNE | SVE | STE |

## PERFORMANCE DATA

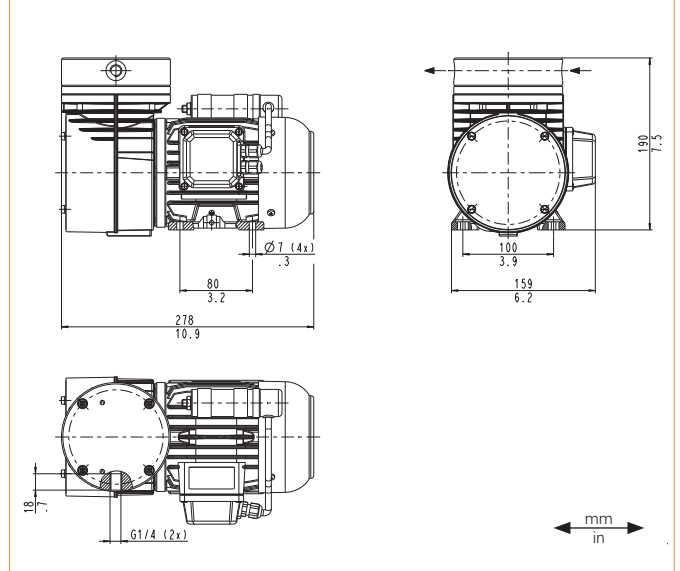
Series model	Flow rate at atm. pressure (l/min) <sup>2)</sup>	Max. operating pressure (bar rel./psig) <sup>1)</sup>	Ultimate vacuum (mbar abs.)
N 035 ANE	30.0	4.0/58.0	100
N 035 AVE	30.0	2.0/29.0	100
N 035 ATE	27.0	4.0/58.0	100
N 035 SNE	30.0	4.0/58.0	100
N 035 SVE	30.0	2.0/29.0	100
N 035 STE	27.0	4.0/58.0	100

<sup>1)</sup> bar relative to 1000 hPa; <sup>2)</sup> Liter in the standard state (based on ISO 8788 and ISO 21360-1/2) (1000 hPa, 20°C)

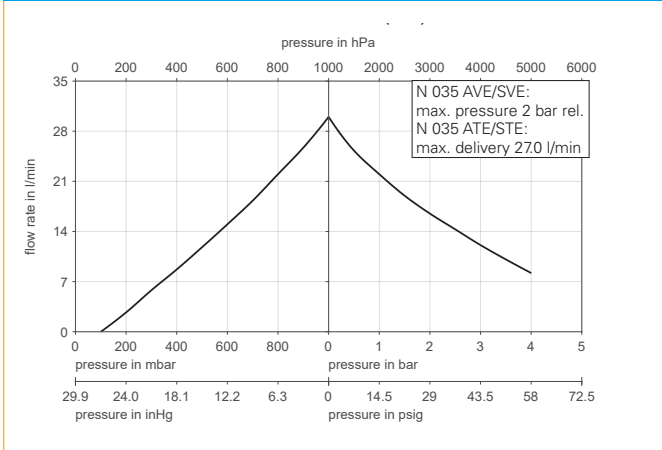
### N 035 A\_E



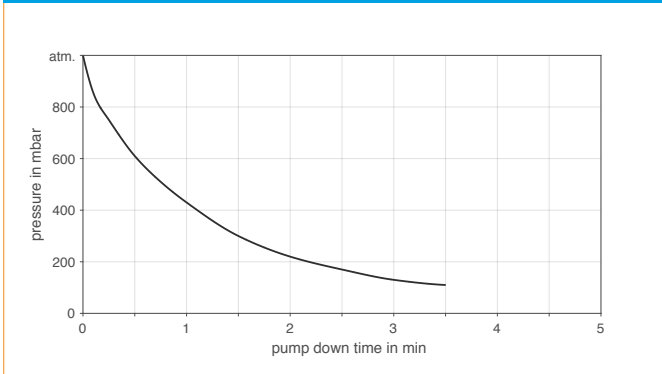
### N 035 S\_E



### N 035 ANE



### N 035 ANE | PUMP DOWN TIME FOR 20 LITER VESEL



**ACCESSORIES**

Description	Illustration	Part No.	Details
Silencer/Inlet filter		000352	G 1/4
Fine control valve, pressure side for N 035 ANE		000482	with pressure gauge
Fine control valve, suction side for N 035 ANE		000354	with vacuum gauge
Pressure relief valve for N 035 ANE		047601	4.0 bar
Hose connector		000362	G 1/4, for hose ID 9
Hose connector, stainless steel		020234	G 1/4, for hose ID 9
Mounting kit shock mounts and mounting bracket		313181	

## SPARE PARTS

Description	Part No.	Details
Spare parts kit N 035 ANE	030307	Spare parts kit consists of: 1x diaphragm, 2x valve plates, 1x sealing, 3x screws. This set is required to maintain the pump.
Spare parts kit N 035 AVE	032508	Spare parts kit consists of: 1x diaphragm, 2x valve plates, 1x sealing, 3x screws. This set is required to maintain the pump.
Spare parts kit N 035 ATE	032489	Spare parts kit consists of: 1x diaphragm, 2x valve plates, 1x sealing, 3x screws. This set is required to maintain the pump.
Spare parts kit N 035 SNE	032509	Spare parts kit consists of: 1x diaphragm, 1x valve plate, 1x screw. This set is required to maintain the pump.
Spare parts kit N 035 SVE	032510	Spare parts kit consists of: 1x diaphragm, 1x valve plate, 1x screw. This set is required to maintain the pump.
Spare parts kit N 035 STE	032496	Spare parts kit consists of: 1x diaphragm, 1x valve plate, 1x screw. This set is required to maintain the pump.

The performance values for the series models shown on this data sheet were determined under test conditions. The actual performance values may differ and depend in particular on the usage conditions and therefore on the specific application, on the parameters of the components involved in the user's system and on any technical modifications carried out which deviate from the standard configuration or the as delivered condition.

If individual designs have been created for specific customers on the basis of series models, other technical performance data may apply. Before operation begins, the relevant operating instructions and/or assembly or installation instructions should be read and the safety information contained in these instructions should be noted. KNF reserves the right to make changes to the product and the associated documentation without prior notice to the customer.



[www.knf.com](http://www.knf.com)