

# N 026.1 SERIES VACUUM PUMPS



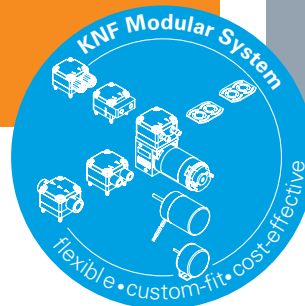
N 026.1 ANE with IP 20 motor

## ADVANTAGES

- Durable even with difficult operating conditions
- Versatile in vacuum applications

## POSSIBLE AREAS OF USE

- Process industry
- Chemical industry



Please visit our website  
[www.knf.com](http://www.knf.com)  
to get more information

## PERFORMANCE DATA

Series model	N 026.1				
Material design*	ANE	ATE	SNE	SVE	STE
Pump head	Aluminum		Stainless steel		
Diaphragm	CR	PTFE-coated	CR	FPM	PTFE-coated
Valves	Stainless steel		CR	FPM	PTFE
Flow rate at atm. pressure (l/min) <sup>1)</sup>	39.0	33.0	39.0	35.0	33.0
Ultimate vacuum (mbar abs.)	100				
Permissible ambient temperature (°C)	+5 ... +40				
Permissible media temperature (°C)	+5 ... +40				
Weight (kg/lbs)	5.7/12.6 (IP 20) – 6.6/14.6 (IP 44)		9.0/18.8 (IP 20) – 9.9/21.8 (IP 44)		

## ELECTRICAL DATA

Voltage (V)	230				
Motor	Capacitor motor				
Protection class motor	IP 20		IP 44		
Frequency (Hz)	50				
Power P <sub>1</sub> (W)	170		180		
I <sub>max</sub> (A)	0.85		< 1.00		

\* Other materials on request

<sup>1)</sup> Liters in the standard state (based on ISO 8778 and ISO 21360-1/2) (1000 hPa, 20°C)

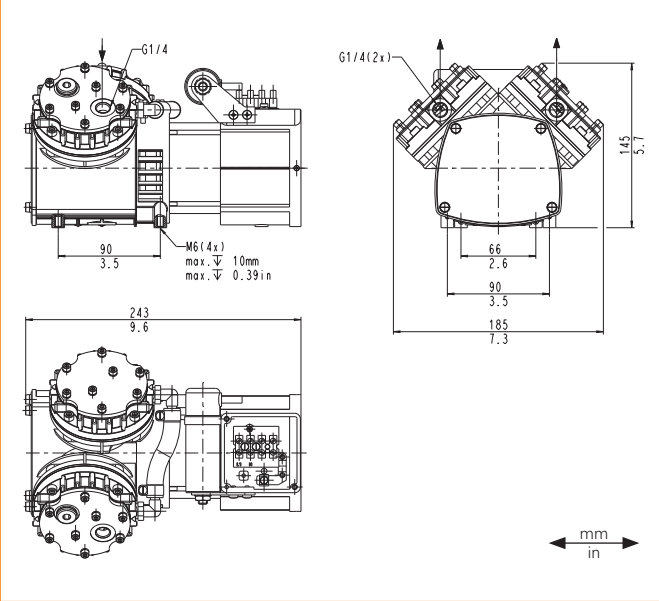
# N 026.1 ANE | ATE | SNE | SVE | STE

## PERFORMANCE DATA

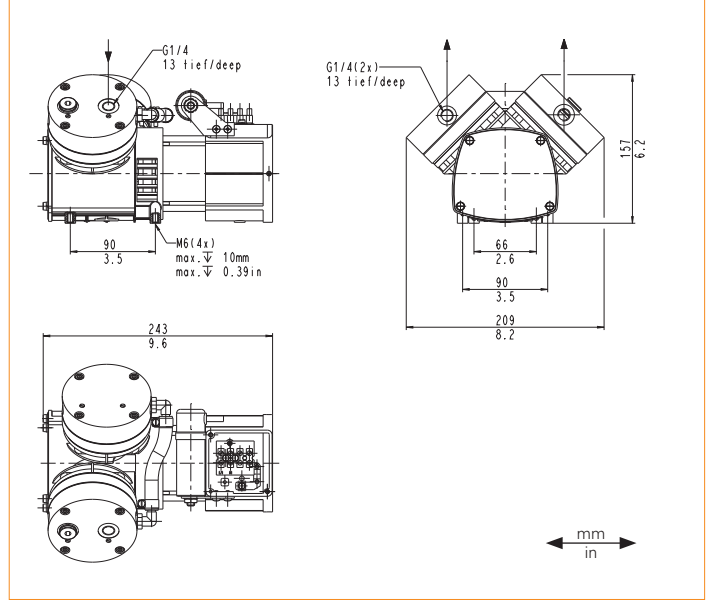
Series model	Flow rate at atm. pressure (l/min) <sup>1)</sup>	Max. operating pressure (bar rel./psig)	Ultimate vacuum (mbar abs.)
N 026.1 ANE	39.0	-	100
N 026.1 ATE	33.0	-	100
N 026.1 SNE	39.0	-	100
N 026.1 SVE	35.0	-	100
N 026.1 STE	33.0	-	100

<sup>1)</sup>Liters in the standard state (based on ISO 8778 and ISO 21360-1/2) (1000 hPa, 20°C)

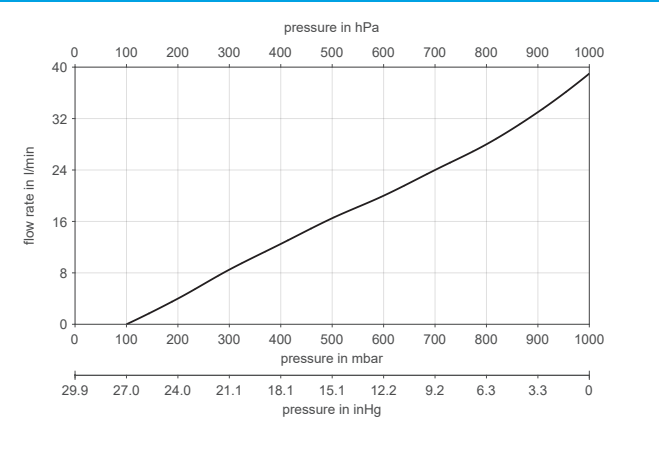
### N 026.1 A\_E (WITH IP 20 MOTOR)



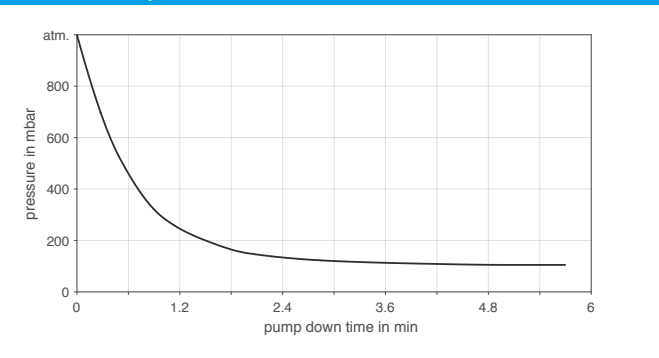
### N 026.1 S\_E (WITH IP 20 MOTOR)



### N 026.1 ANE



### N 026.1 ANE | PUMP DOWN TIME FOR 20 LITER VESSEL



## ACCESSORIES

Description	Illustration	Part No.
Silencer/Inlet filter G 1/8	 A cylindrical, grey, mesh-covered filter with a threaded end.	000352
Fine control valve, suction side with vacuum gauge	 A small, white, cylindrical valve with a black handle and a circular vacuum gauge mounted on top.	011868
Hose connector G 1/4	 A brass-colored metal hose connector with a threaded end and a smooth end.	000362
Hose connector, stainless steel G 1/4	 A stainless steel metal hose connector with a threaded end and a smooth end.	020234
Connection box cover	 A rectangular, silver-colored metal connection box cover with two black ports on the side.	008637

## SPARE PARTS

Description	Illustration	Part No.	Details
<b>N 026.1 ANE</b>			
Diaphragm		001257	
Countersunk screw		110712	
Reed valve		001288	
Gasket		001273	
<b>N 026.1 ATE</b>			
Diaphragm		001363	
Countersunk screw		110712	
Reed valve		001288	
Gasket		008323	
<b>N 026.1 SNE</b>			
Diaphragm		001257	
Countersunk screw		110712	
Reed valve		001272	
<b>N 026.1 STE</b>			
Diaphragm		001363	
Countersunk screw		110712	
Reed valve		001364	
<b>N 026.1 SVE</b>			
Diaphragm		001391	
Countersunk screw		110712	
Reed valve		001392	

The performance values for the series models shown on this data sheet were determined under test conditions. The actual performance values may differ and depend in particular on the usage conditions and therefore on the specific application, on the parameters of the components involved in the user's system and on any technical modifications carried out which deviate from the standard configuration or the as delivered condition.

If individual designs have been created for specific customers on the basis of series models, other technical performance data may apply. Before operation begins, the relevant operating instructions and/or assembly or installation instructions should be read and the safety information contained in these instructions should be noted. KNF reserves the right to make changes to the product and the associated documentation without prior notice to the customer.



[www.knf.com](http://www.knf.com)