

N 026.2 SERIES COMPRESSORS



N 026.2 ANE with IP 20 motor

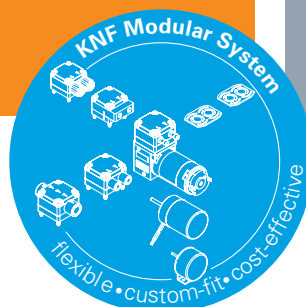
ADVANTAGES

- Durable even with difficult operating conditions
- Versatile in pressure applications

POSSIBLE AREAS OF USE

- Process industry
- Chemical industry

Please visit our website
www.knf.com
to get more information



PERFORMANCE DATA

| Series model | N 026.2 | | | | |
|--|-------------------------------------|-------------|-------------------------------------|------|-------------|
| Material design* | ANE | ATE | SNE | SVE | STE |
| Pump head | Aluminum | | Stainless steel | | |
| Diaphragm | CR | PTFE-coated | CR | FPM | PTFE-coated |
| Valves | Stainless steel | | CR | FPM | PTFE |
| Flow rate at atm. pressure (l/min) ¹⁾ | 39.0 | 31.0 | 39.0 | 35.0 | 31.0 |
| Max. operating pressure (bar rel./psig) | 2.0/29.0 | | | | |
| Permissible ambient temperature (°C) | +5 ... +40 | | | | |
| Permissible media temperature (°C) | +5 ... +40 | | | | |
| Weight (kg/lbs) | 5.7/12.6 (IP 20) – 6.6/14.6 (IP 44) | | 9.0/18.8 (IP 20) – 9.9/21.8 (IP 44) | | |

ELECTRICAL DATA

| | | | | | |
|--------------------------|-----------------|--|--------|--|--|
| Voltage (V) | 230 | | | | |
| Motor | Capacitor motor | | | | |
| Protection class motor | IP 20 | | IP 44 | | |
| Frequency (Hz) | 50 | | | | |
| Power P ₁ (W) | 170 | | 180 | | |
| I _{max} (A) | 0.85 | | < 1.00 | | |

* Other materials on request

¹⁾ Liters in the standard state (based on ISO 8778 and ISO 21360-1/2) (1000 hPa, 20°C)

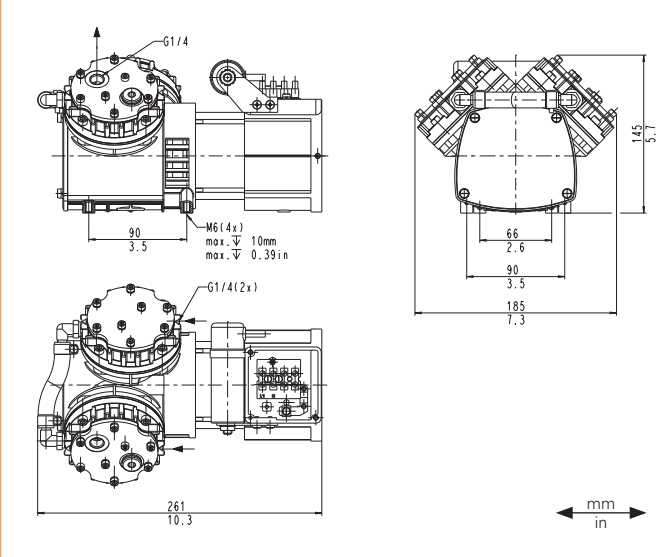
N 026.2 ANE | ATE | SNE | SVE | STE

PERFORMANCE DATA

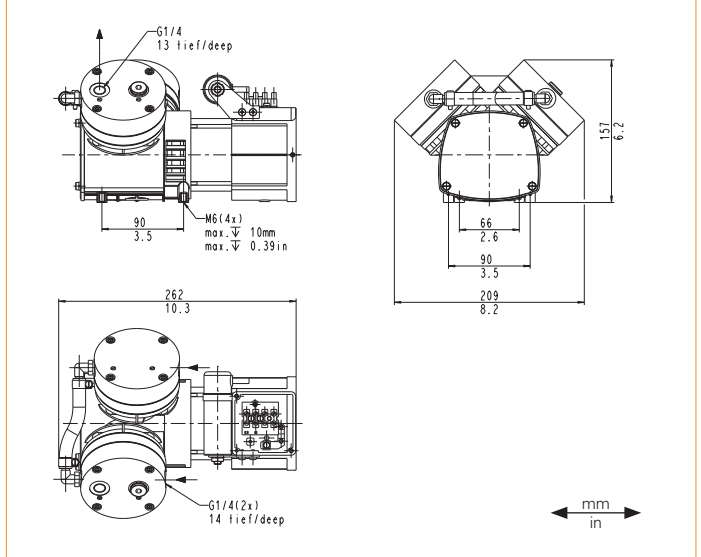
| Series model | Flow rate at atm. pressure (l/min) ¹⁾ | Max. operating pressure (bar rel./psig) | Ultimate vacuum (mbar abs.) |
|--------------|--|---|-----------------------------|
| N 026.2 ANE | 39.0 | 2.0/29.0 | - |
| N 026.2 ATE | 31.0 | 2.0/29.0 | - |
| N 026.2 SNE | 39.0 | 2.0/29.0 | - |
| N 026.2 SVE | 35.0 | 2.0/29.0 | - |
| N 026.2 STE | 31.0 | 2.0/29.0 | - |

¹⁾ Liters in the standard state (based on ISO 8778 and ISO 21360-1/2) (1000 hPa, 20°C)

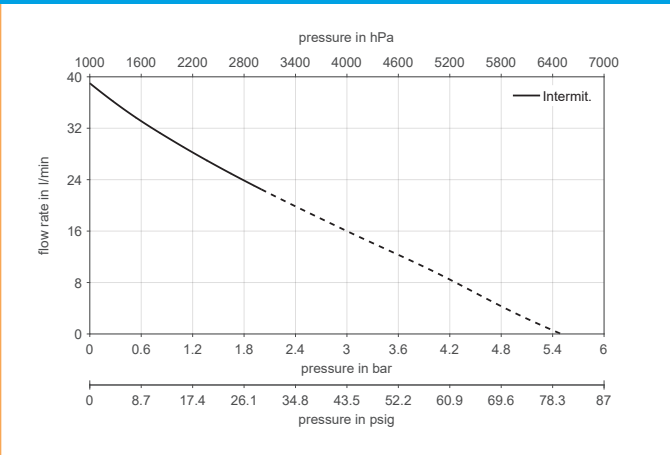
N 026.2 A_E (WITH IP 20 MOTOR)



N 026.2 S_E (WITH IP 20 MOTOR)



N 026.2 ANE



ACCESSORIES

| Description | Illustration | Part No. |
|---|---|----------|
| Silencer/Inlet filter G 1/8 |  | 000352 |
| Fine control valve, pressure side with pressure gauge |  | 011867 |
| Pressure relief valve 2.0 bar |  | 003074 |
| Hose connector G 1/4 |  | 000362 |
| Hose connector, stainless steel G 1/4 |  | 020234 |
| Connection box cover |  | 008637 |

SPARE PARTS

| Description | Illustration | Part No. | Details |
|--------------------|--------------|----------|---------|
| N 026.2 ANE | | | |
| Diaphragm | | 001257 | |
| Countersunk screw | | 110712 | |
| Reed valve | | 001288 | |
| Gasket | | 001273 | |
| N 026.2 ATE | | | |
| Diaphragm | | 001363 | |
| Countersunk screw | | 110712 | |
| Reed valve | | 001288 | |
| Gasket | | 008323 | |
| N 026.2 SNE | | | |
| Diaphragm | | 001257 | |
| Countersunk screw | | 110712 | |
| Reed valve | | 001272 | |
| N 026.2 STE | | | |
| Diaphragm | | 001363 | |
| Countersunk screw | | 110712 | |
| Reed valve | | 001364 | |
| N 026.2 SVE | | | |
| Diaphragm | | 001391 | |
| Countersunk screw | | 110712 | |
| Reed valve | | 001392 | |

The performance values for the series models shown on this data sheet were determined under test conditions. The actual performance values may differ and depend in particular on the usage conditions and therefore on the specific application, on the parameters of the components involved in the user's system and on any technical modifications carried out which deviate from the standard configuration or the as delivered condition.

If individual designs have been created for specific customers on the basis of series models, other technical performance data may apply. Before operation begins, the relevant operating instructions and/or assembly or installation instructions should be read and the safety information contained in these instructions should be noted. KNF reserves the right to make changes to the product and the associated documentation without prior notice to the customer.



www.knf.com