

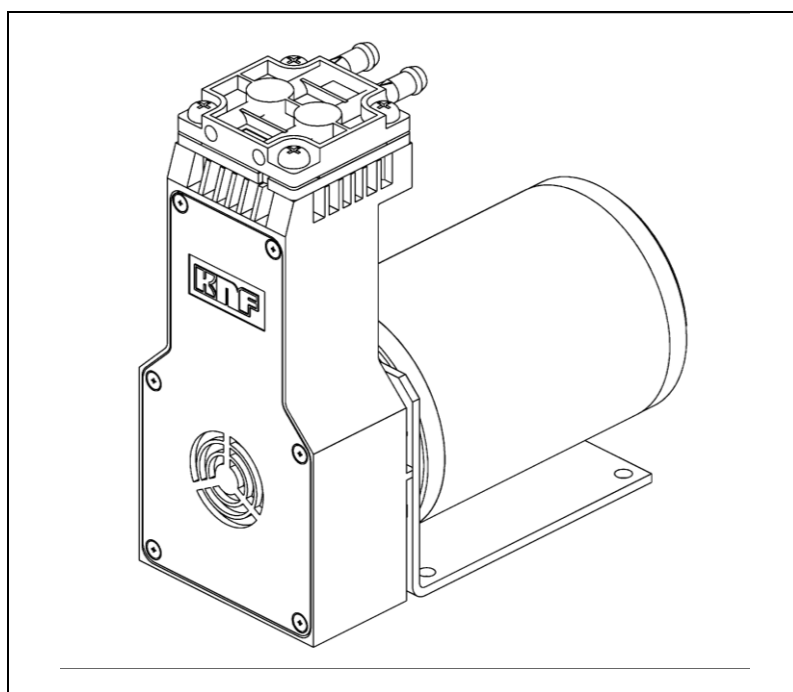
Swing Piston Compressors and Vacuum Pumps

NPK 018 DC Pressure

NPK 018 DC Vacuum

Operating and Installation Instructions

Read and observe these Operating and Installation Instructions!



KNF Neuberger GmbH
 Alter Weg 3
 D-79112 Freiburg
 Germany
 Tel. +49-(0)7664-5909-0
 Fax +49-(0)7664-5909-99
 E-Mail: info@knf.de
 www.knf.de

Contents	Page
1. About this document.....	2
2. Use	3
3. Safety	4
4. Technical Data.....	6
5. Installation and connection.....	7
6. Operation.....	9
7. Troubleshooting.....	10
8. Accessory	11
9. Returns	12

1. About this document

1.1. Using the Operating and Installation Instructions

The Operating and Installation Instructions are part of the pump.

➔ Pass on the Operating and Installation Instructions to the next owner.

Project pumps

Customer-specific project pumps (pump models which begin with "PJ" or "PM") may differ from the Operating and Installation Instructions.

➔ For project pumps, also observe the agreed upon specifications.

1.2. Symbols and markings

Warning



WARNING

A danger warning is located here.

Possible consequences of a failure to observe the warning are specified here. The signal word, e.g.

Warning, indicates the danger level.

➔ Measures for avoiding the danger and its consequences are specified here.

Danger levels

Signal word	Meaning	Consequences if not observed
DANGER	warns of immediate danger	Death or serious injuries and/or serious damage are the consequence.
WARNING	warns of possible danger	Death or serious injuries and/or serious damage are possible.
CAUTION	warns of a possibly dangerous situation	Minor injuries or damage are possible.

Tab. 1

Other information and symbols

➔ An activity to be carried out (a step) is specified here.

1. The first step of an activity to be carried out is specified here. Additional, consecutively numbered steps follow.

i This symbol refers to important information.

2. Use

2.1. Proper use

The pumps are designed for pumping air.

Owner's responsibility

Operating parameters and conditions

Only install and operate the pumps under the operating parameters and conditions described in Chapter 4, Technical data.

Only complete pumps may be taken into service.

Make sure that the installation location is dry and the pump is protected against rain, splash, hose and drip water.

Requirements for transferred medium

When using a medium other than air: Before using a medium, check whether the medium can be transferred danger-free in the specific application case.

Before using a medium, check the compatibility of the materials of the pump head, swing piston and piston seal with the medium.

2.2. Improper use



WARNING

Hazard of explosion when the surrounding atmosphere is explosive

→ The pumps may not be operated in an explosive atmosphere.



WARNING

Hazard of explosion from combustible and potentially explosive media

→ The pumps may not be used to pump combustible or potentially explosive media.

The pumps are not suitable for transferring dusts.

The pumps are not suitable for pumping vapors or liquids.

An overpressure must not be applied to the suction side of the pump.

3. Safety

i Note the safety precautions in sections 5. *Installation and connection*, and 6. *Operation*.

The pumps are built according to the generally recognized rules of technology and in accordance with the occupational safety and accident prevention regulations. Nevertheless, dangers can result during its use which lead to injuries to the user or others, or to damage to the pump or other property.

Only use the pumps in proper technical condition and in accordance with its intended use in a safety and danger-conscious manner while observing the Operating and Installation Instructions.

Personnel	<p>Make sure that only trained and instructed personnel or specially trained personnel work on the pump. This especially applies to assembly, connection and servicing work.</p> <p>Make sure that the personnel has read and understood the Operating and Installation Instructions, and in particular the "Safety" chapter.</p>
Working in a safety-conscious manner	Observe the accident prevention and safety regulations when performing any work on the pump and during operation.
Handling dangerous media	When transferring dangerous media, observe the safety regulations when handling these media.
Environmental protection	Store all replacement parts in a protected manner and dispose of them properly in accordance with the applicable environmental protection regulations. Observe the respective national and international regulations. This especially applies to parts contaminated with toxic substances.
EC Directives / Standards	<p>For the purposes of the Machinery Directive 2006/42/EC, pumps are "partly completed machinery," and are therefore to be regarded as not ready for use. Partly completed machinery may not be commissioned until such time as it has been determined that the machine in which the partly completed machinery is to be assembled is in conformity with the provisions of the Machinery Directive 2006/42/EC. The following essential requirements of Annex I of Directive 2006/42/EC (general principles) are applied and observed:</p> <ul style="list-style-type: none"> - General Principles No. 1 - No. 1.1.2. / 1.1.3. / 1.3.1. / 1.3.3. / 1.3.4. / 1.4.1. / 1.5.8. / 1.5.9. / 1.7.4. / 1.7.4.1. / 1.7.4.3.

As these partly completed machinery are OEM-models the power supplies and the equipment for disconnecting and switching-off the partly completed machinery respectively have to be considered when mounting as well as over-current and overload protective gear.

In addition a protection against mechanical parts in motion and hot parts, if existing, has to be provided when mounting.



The pumps conform to the Directive 2011/65/EU .

The following harmonized standards have been used:

NPK 018 DC
DIN EN 55014-1/2
DIN EN 61000-3-2/3
DIN EN 61000-6-1/3
DIN EN 50581

Tab. 2

Customer service and
repairs

Only have repairs to the pump carried out by the KNF Customer
Service responsible.

4. Technical Data

Pump materials

Assembly	Material
Head plate; cylinder	PPS
Valve plate	FPM
Piston seal	PTFE
Retainer plate	Aluminium

Tab. 3

Pneumatic values

NPK 018 DC Vacuum

Parameter	Value
Max. permissible operating pressure [bar g]	-
Ultimate vacuum [mbar abs.]	120
Delivery rate at atm. pressure [l/min]*	18

Tab. 4 *Liters in standard state (1,013 mbar)

NPK 018 DC Pressure

Parameter	Value
Max. permissible operating pressure [bar g]	1.5
Ultimate vacuum [mbar abs.]	-
Delivery rate at atm. pressure [l/min]*	18

Tab. 5 *Liters in standard state (1,013 mbar)

Electrical data

Parameter	Value
Electrical data	See type plate
Protection class	IP 00

Tab. 6

Other parameters

Parameter	Values
Permissible ambient temperature	+ 5 °C bis + 40 °C
Permissible media temperature	+ 5 °C to + 40 °C
Gas-tightness	The gas-tightness of the pump is dependent on the medium used.*

Tab. 7

* If you have questions about this, please contact your KNF advisor.

5. Installation and connection

Only install and operate the pump under the operating parameters and conditions described in Chapter 4, Technical data.

Observe the safety precautions (see Chapter 3).

5.1. Installation

- Before installation, store the pump at the installation location to bring it up to room temperature.
- Mounting dimensions → See the data sheet for the mounting dimensions.
- Cooling air supply → For pumps with motor fan: Install the pump so that the motor fan can intake sufficient cooling air.
- Installation location → Make sure that the installation location is dry and the pump is protected against rain, splash, hose and drip water.
- Install the pump at the highest point in the system to prevent condensate from collecting in the pump head.
- Protect the pump from dust.
- Protect the pump from vibrations and jolts.

5.2. Electrical connection



DANGER

Extreme danger from electrical shock

- Only have the pump connected by an authorized specialist.
- Only have the pump connected when the power supply is disconnected.

- In the electrical installation, arrangements (complying with EN 60335-1) must be made for disconnecting the pump motor from the electrical supply.

- i** → For operating current see type plate or data sheet.

Connecting pump

1. Compare the supply data with the data on the motor-plate.

- i** The voltage must not vary by more than + 10% and – 10% from that shown on the type plate.

2. Connect the plus and minus pole.

- i** Note the proper polarity:
red motor cable: +
black motor cable: -

5.3. Pneumatic connection

- | | |
|----------------------|------------------------------------------------------------------------------------------------------------------------------|
| Connected components | → Only connect components to the pump which are designed for the pneumatic data of the pump (see Chapter 4, Technical data). |
| Pump exhaust | → If the pump is used as a vacuum pump, safely discharge the pump exhaust. |

Connecting pump

i A marking on the pump head shows the direction of flow.

1. Remove the protective plugs from the hose connectors.
2. The accessory silencer/filter (where applicable) is put onto the hose connector.
3. Connect the suction line and pressure line (tube ID 6 mm).
4. Lay the suction and pressure line at a downward angle to prevent condensate from running into the pump.

6. Operation

Only operate the pumps under the operating parameters and conditions described in Chapter 4, Technical data.

Make sure the pumps are used properly (see section 2.1).

Make sure the pumps are not used improperly (see section 2.2).

Observe the safety precautions (see Chapter 3).



WARNING

Hazard of the pump head bursting due to excessive pressure increase

- Do not exceed max. permissible operating pressure (see Chapter 4, Technical data).
- Only throttle or regulate the air quantity (the gas quantity) in the suction line to prevent the maximum permissible operating pressure from being exceeded.
- If the air quantity (the gas quantity) in the pressure line is throttled or regulated, make sure that the maximum permissible operating pressure is not exceeded.
- Watch pressure during operation.
- If the pressure reaches the maximum permissible operating pressure of the pump, shut down pump and eliminate faults (see section 7).

i Excessive pressure (with all of the related hazards) can be prevented by placing a bypass line with a pressure-relief valve between the pressure and suction sides of the pump. For further information, contact our technical adviser (see front page for telephone number).

Pump standstill → With the pump at a standstill, open pressure and suction lines to normal atmospheric pressure.

Silencer/filter Change the silencer/filter (accessory) if it is dirty.

Switching pump on **i** The pump may not start up against pressure or vacuum during switch-on. This also applies in operation following a brief power failure.

→ Make sure that normal atmospheric pressure is present in the lines during switch-on.

7. Troubleshooting



Extreme danger from electrical shock!

→ Disconnect the pump power supply before working on the pump.

DANGER → Make sure the pump is deenergized and secure.

Check the pump (see Tab. 9 and 10).

Pump does not transfer	
Cause	Fault remedy
Connections or lines blocked.	<ul style="list-style-type: none"> → Check connections and lines. → Remove blockage.
External valve is closed or filter is clogged.	<ul style="list-style-type: none"> → Check external valves and filters.
Condensate has collected in pump head.	<ul style="list-style-type: none"> → Install pump at highest point in system.
Piston seal or valve plates are worn.	<ul style="list-style-type: none"> → Replace pump.

Tab. 8

Flow rate, pressure or vacuum too low	
The pump does not achieve the output specified in the Technical data or the data sheet.	
Cause	Fault remedy
Condensate has collected in pump head.	<ul style="list-style-type: none"> → Install pump at highest point in system.
There is gauge pressure on pressure side and at the same time vacuum or a pressure above atmospheric pressure on suction side.	<ul style="list-style-type: none"> → Change the pressure conditions.
Pneumatic lines or connection parts have an insufficient cross section.	<ul style="list-style-type: none"> → Disconnect pump from system to determine output values. → Eliminate throttling (e.g. valve) if necessary. → Use lines or connection parts with larger cross section if necessary.
Leaks occur on connections, lines or pump head.	<ul style="list-style-type: none"> → Eliminate leaks.
Connections or lines completely or partially jammed.	<ul style="list-style-type: none"> → Check connections and lines. → Remove the jamming parts and particles.
Head parts are soiled.	<ul style="list-style-type: none"> → Clean head components.
Piston seal or valve plates are worn.	<ul style="list-style-type: none"> → Replace pump.

Tab. 9

Fault cannot be rectified

If you are unable to determine any of the specified causes, send the pump to KNF Customer Service (see last page for the address).

1. Flush the pump to free the pump head of dangerous gases. For this purpose, flush the pump under atmospheric conditions some minutes with air (if necessary for safety reasons: with an inert gas).
2. Remove the pump.
3. Clean the pump.
4. Send the pump, together with completed Health and Safety Clearance and Decontamination Form, to KNF stating the nature of the transferred medium.

8. Accessory

Accessories	Order No.
Silencer/filter	058987

Tab. 10

9. Returns

Prerequisite for repairing a pump by KNF is a completed Decontamination Form.

This is made available on the KNF website as a download. To find the form, select your country on the overview page (www.knf.com). You can find the Decontamination Form in the download area.

If you have questions, please contact your sales partner (contact data: see www.knf.com).