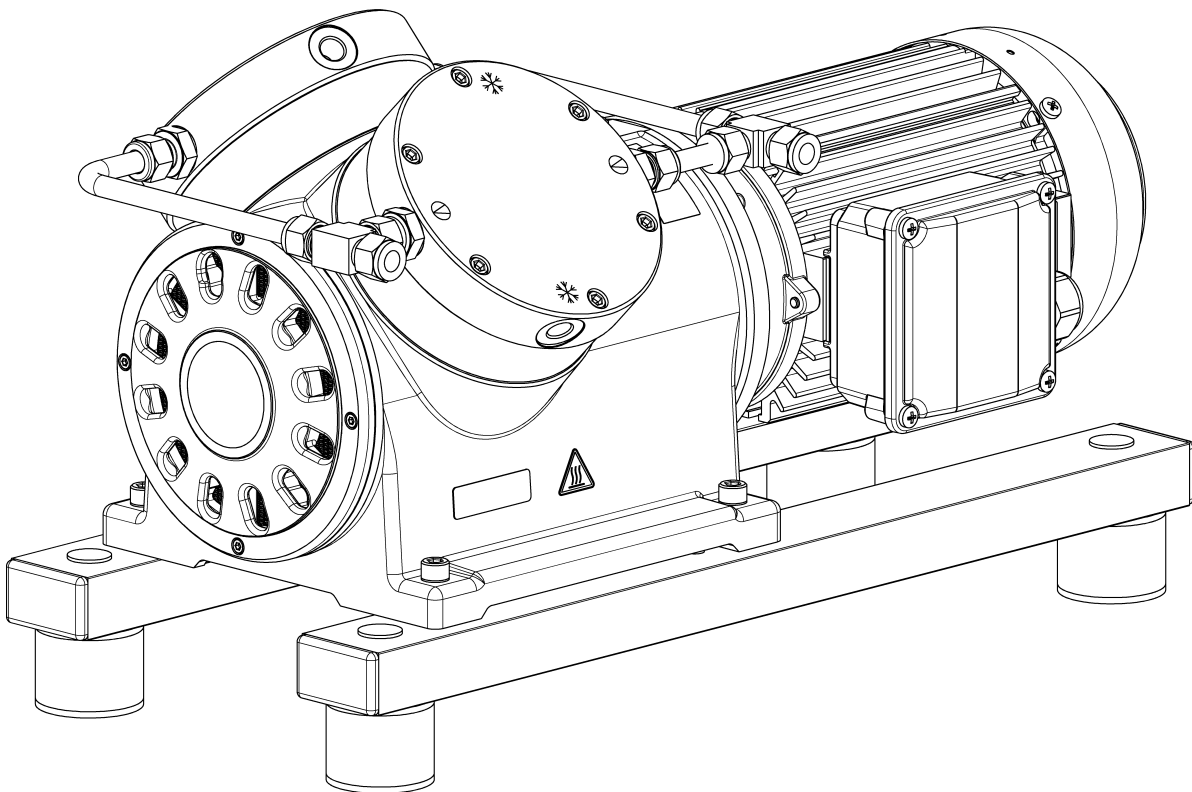


## Process

N630  
TRANSLATION OF ORIGINAL OPERATING AND  
INSTALLATION INSTRUCTION  
ENGLISH

# DIAPHRAGM PUMP



**Notice!**

Before operating the pump and accessories, read and observe the operating and installation instructions as well as the safety information!

KNF Neuberger GmbH  
Alter Weg 3  
79112 Freiburg  
Germany  
Tel. +49 (0)7664/5909-0  
Fax. +49 (0)7664/5909-99

[www.knf.com](http://www.knf.com)

## Index

1	About this document .....	3
1.1	Using the operating and installation instructions.....	3
1.2	Exclusion of liability.....	3
1.3	Symbols and markings.....	4
2	Safety .....	6
2.1	Personnel and target group .....	6
2.2	Responsibility of the operator .....	6
2.3	Working in a safety conscious manner .....	7
2.4	Operating conditions .....	7
2.5	Media .....	7
2.6	Use.....	8
2.7	Directives and standards .....	9
2.8	Customer service and repair.....	9
2.9	Disposal .....	9
3	Technical data.....	10
3.1	Technical data.....	10
4	Product description .....	14
5	Transport.....	18
	General .....	18
	Transport with carrying strap .....	19
	Transporting with lifting eyebolt .....	21
6	Installation and connection.....	23
6.1	Installing the pump.....	23
6.2	Electrical connection .....	27
6.3	Pneumatic connection.....	28
6.4	Connecting water cooling (optional).....	29
7	Operation .....	34
7.1	General .....	34
7.2	Information on switching the pump on and off .....	35
8	Servicing .....	37
8.1	Servicing schedule .....	37
8.2	Cleaning.....	37
8.3	Changing diaphragm and reed valves .....	38
8.4	Checking and replacing sprocket on coupling .....	43
9	Spare parts and accessories.....	47
9.1	Spare parts .....	47
9.2	Accessories.....	48
10	Troubleshooting .....	49
11	Returns.....	52
12	Appendix .....	53
12.1	Motor.....	53

# 1 About this document

## 1.1 Using the operating and installation instructions

The operating and installation instructions are part of the pump.

- In the event of uncertainties with regard to the content of the operating and installation instructions, please contact the manufacturer (contact data: see [www.knf.com](http://www.knf.com)). Please have the type and serial number of the pump ready.
- Read the operating and installation instructions before you commission the pump.
- Give the operating and installation instructions only completely and unchanged to the next owner.
- Keep the operating and installation instructions within reach at all times.

**Project pumps** For customer-specific project pumps (pump models that begin with "PJ" or "PM"), there may be deviations from these operating and installation instructions.

- For project pumps, also observe the agreed specifications.

**Optional contents** Project-specific options may be included in the operating and assembly instructions. These are marked with "Optional". It is also possible that project-specific deviations are not included in the operating and assembly instructions.

**Motor** The operating and installation instructions apply for the pump part.

- Also observe the operating instructions for the motor in the appendix.
- Also observe the operating instructions for the coupling in the appendix.

## 1.2 Exclusion of liability

The manufacturer assumes no liability for damages and malfunctions resulting from failure to observe the operating and installation instructions.

The manufacturer assumes no liability for damages and malfunctions resulting from changes or modifications to the device and improper handling.

The manufacturer assumes no liability for damages and malfunctions resulting from impermissible spare parts and accessories.

### 1.3 Symbols and markings

#### Warning notice



A notice that warns you of danger is located here. Possible consequences of a failure to observe the warning notice are specified here. The signal word, e.g., Warning, indicates the danger level.

→ Measures for avoiding the danger and its consequences are specified here.

#### Danger levels

Signal word	Meaning	Consequences if not observed
DANGER	warns of immediate danger	Death or serious injury or serious damage will result.
WARNING	warns of possible danger	Death, serious injury or serious damage is possible.
CAUTION	warns of a possibly dangerous situation	Minor injury or damage is possible.
NOTICE	Warns of possible damage	Damage is possible.

Tab.1 Danger levels










#### Other notices and symbols

→ An activity to be carried out is specified here (a step).

1. The first step of an activity to be carried out is specified here. Other sequentially numbered steps follow.

**i** This symbol indicates important information.

## Explanation of pictograms

Pictogram	Meaning
	General warning symbol
	Warning of hot surface
	Warning of electrical voltage
	Warning of poisonous substances
	Warning of hand injuries through crushing
	Observe the operating instructions
	General mandatory sign
	Wear hearing protection
	WEEE Symbol for separate tracking of electrical and electronic devices. The use of this symbol means that this product must be disposed of with normal household waste.

Tab.2 Explanation of pictograms

## 2 Safety

**i** Observe the safety notices in Chapters 6 *Installation and connection* and 7 *Operation*.

### 2.1 Personnel and target group

**Personnel** Make sure that only specially trained and instructed personnel work on the pumps. This applies, in particular, to mounting, connection and servicing work.

Make sure that the personnel have read and understood the operating instructions, particularly the chapter on safety.

Target group	Target group	Definition
	User	Employee
	Specialized personnel	Specialized personnel are personnel who - have relevant professional training in the field covered in the particular section of text; - have current knowledge of the field covered in the particular section of text.

Tab.3 Target group

Who-does-what matrix	Lifecycle phase	User	Specialized personnel
	Transport		X
	Mounting		X
	Connection		X
	Commissioning	X	X
	Operation	X	X
	Servicing		X
	Troubleshooting		X
	Disposal		X

Tab.4 Who-does-what matrix

### 2.2 Responsibility of the operator

The pumps are produced in accordance with the generally recognized rules of engineering, as well as the occupational health, safety and accident prevention regulations. Nevertheless, dangers can arise during their use that lead to injuries to the user or third parties or to damage to the pump or other property.

Only use the pumps in perfect technical condition, for their intended use, safely and with an awareness of the dangers and in observation of the operating and installation instructions.

The components that are to be connected to the pumps must be designed according to the pneumatic data of the pumps.

When connecting the pumps to the electrical power, observe the corresponding safety rules.

Make sure that no hazardous situation, physical harm or impairment of the pump can occur.

**Operating parameters** Only operate and install the pump under the operating parameters and operating conditions described in Chapters 2.4 *Operating conditions* and 3 *Technical data*.

### 2.3 Working in a safety conscious manner

Observe the regulations on accident prevention and safety during all work on the pumps and during operation.

Avoid contact with the pump heads and housing parts because the pump heats up during operation.

When working on the pump, make sure that the pump is disconnected from the power and free of voltage.

When connecting the pump to the power supply, observe the corresponding safety rules.

Ensure that no hazards arise from gas flowing when gas connections are open, from the effects of noise or from hot, corrosive, dangerous and environmentally hazardous gases.

Ensure that the pump installation is EMC compliant such that no hazardous situations can occur.

### 2.4 Operating conditions

Only use the pump in perfect technical condition, for its intended purpose, safely and with an awareness of the dangers and in observation of the operating instructions.

Protect the compressors with a pressure relief device between the pressure side of the compressor and the first shut-off valve.

Only install and operate the pumps in accordance with the operating parameters and conditions described in Chapter 3 *Technical data*.

Only pumps that are fully assembled and in the condition as delivered may be operated.

Make sure that the installation location is dry and that the pump is protected from rain, splash water, gushing water, dripping water and other contamination.

Check the tightness of the connections between the pipes of the application and the pump (or the connection of the pump) at regular intervals. Leaky connections carry the risk of releasing dangerous gases and vapors from the pump system.

### 2.5 Media

Requirements of pumped media	<p>Before transferring a medium, check whether the medium can be transferred without risk in the specific application.</p> <p>Take note of any change in the state of matter (condensation, crystallization).</p> <p>Before using a medium, check the compatibility of the media-contacting components (see 3 <i>Technical data</i>) with the medium.</p> <p>Risk of dangerous gas mixtures during pump operation if diaphragm breaks: Depending on the medium being transferred, breakage of the diaphragm can result in a dangerous mixture if the medium mixes with the air in the compressor housing or the surroundings.</p> <p>Only transfer gases that remain stable under the pressures and temperatures that arise in the pump.</p>
Handling of hazardous media	<p>Upon breakage of the diaphragm and/or leaks, the transferred medium mixes with the air in the surroundings and/or in the pump housing.</p> <p>Make sure that a dangerous situation cannot arise as a result.</p> <p>When pumping hazardous media, observe the safety regulations for the handling of said media.</p>
Handling of combustible media	<p>Note that the pump is not designed to be explosion-proof.</p>

Make certain that the temperature of the medium is always sufficiently below the ignition temperature of the medium so as to prevent ignition or explosion. This also applies for abnormal operating situations.

Note that the temperature of the medium increases when the pump compresses the medium.

Therefore, make certain that the temperature of the medium also remains sufficiently below the ignition temperature of the medium even when it is compressed to the maximum permissible operating pressure of the pump. The maximum permissible operating pressure of the pump is stated in Chapter 3 *Technical data*.

Make certain that the permissible ambient temperature (see 3 *Technical data*) is not exceeded.

Where applicable, also take into account external energy sources (such as radiated heat sources) that could additionally heat the medium.

In case of doubt, contact KNF Customer Service.

## 2.6 Use

### 2.6.1 Proper use

The pumps are intended exclusively for transferring gases and vapors.

The pumps are intended exclusively for operation in indoor areas and in non-explosive atmospheres.

Variable frequency drive Pumps with three-phase motor are designed for operation with a variable frequency drive in the speed range 500 – 1500 rpm (50 Hz) or 600 – 1800 rpm (60 Hz) (see also Chapter 6.2 *Electrical connection*).

### 2.6.2 Foreseeable misuse

The pumps must not be operated in explosive atmospheres.

The pumps are not suitable for transferring the following:

- Dusts
- Liquids
- Aerosols
- Biological and microbiological substances
- Fuels
- Explosives and flammable materials
- Fibers
- Oxidizing agents
- Foodstuffs.

As standard, the pumps must not be used for simultaneous generation of a vacuum and positive pressure.

This function can be made possible on a project basis following consultation with KNF Customer Service.

Do not apply positive pressure to the inlet of the pump.

This function can be made possible on a project basis following consultation with KNF Customer Service.

The pumps are not intended for operation with a frequency converter.



## 2.7 Directives and standards

EU/EC Directives	<p><b>EU Declaration of Conformity</b></p> <p>The pumps comply with regulations/directives:</p> <ul style="list-style-type: none"> <li>▪ Machinery Directive 2006/42/EC</li> <li>▪ Electromagnetic Compatibility Directive 2014/30/EU</li> <li>▪ Directive 2009/125/EC for establishing a framework for the setting of eco-design requirements for energy-related products and ordinance (EU) 2019/1781 for the setting of eco-design requirements for electric motors and speed controls in accordance with Directive 2009/125/EC of the European Parliament and of the Council.</li> <li>▪ Directive 2011/65/EU on the restriction of the use of certain hazardous substances in electrical and electronic equipment (Annex II changed by delegated Directive (EU) 2015/863 of the Commission)</li> </ul>
Standards	<p>The following harmonized/named standards apply:</p> <ul style="list-style-type: none"> <li>▪ EN ISO 12100</li> <li>▪ EN 1012-2</li> <li>▪ EN IEC 63000</li> <li>▪ EN IEC 61000-6-1/2/3/4</li> <li>▪ EN 60034-1</li> <li>▪ EN 60034-30-1 (only pumps with three-phase motor)</li> <li>▪ EN 60204-1</li> </ul>

## 2.8 Customer service and repair

Customer service and repairs	<p>The pump is maintenance-free. However, KNF recommends periodic inspection of the pump for obvious changes in noise or vibration.</p> <p>Only have repairs to the pumps performed by qualified KNF personnel.</p> <p>Housings with electrically live components may only be opened by specialist personnel.</p> <p>Use only genuine spare parts from KNF when performing servicing work.</p>
------------------------------	--

## 2.9 Disposal

Environmental protection	<p>Store the pump and all accessories in accordance with the environmental provisions. Observe national and international regulations. This applies in particular to parts that are contaminated with toxic substances.</p> <p>If you no longer need your packaging materials (e.g. for return shipment or other transport of the device), dispose of them in an environmentally friendly manner.</p> <p>Old devices must not be disposed of with household waste. Proper disposal and recycling helps to protect natural resources and the environment. The end user is responsible for disposing of old devices according to national and international regulations. Alternatively, KNF products (old devices) may also be returned to KNF for a fee (see chapter 11 <i>Returns</i>).</p>
--------------------------	---

### 3 Technical data

#### 3.1 Technical data

##### Pump materials

N630SP/STE

N630.1.2SP/STE

N630.3SP/STE

N630.15SP/STE

Assembly	Material SP	Material ST
Head plate, intermediate plate	Stainless steel	Stainless steel
Diaphragm	EPDM	PTFE
Valve springs	Stainless steel	Stainless steel
Valve limiter	Stainless steel	Stainless steel
Slotted cheese head screw	Stainless steel	Stainless steel
O-ring	FPM	FPM
Retainer plate	Stainless steel	Stainless steel
Retainer plate screw	Stainless steel	Stainless steel
Connection (only N630.1.2/.3/.15)	Stainless steel	Stainless steel

Tab.5

##### Pneumatic values

Parameter	Value	Value	Value	Value
	N630SP N630ST	N630.1.2SP N630.1.2ST	N630.3SP N630.3ST	N630.15SP N630.15ST
Max. permissible operating pressure [bar rel*] -Continuous operation	7.0	7.0	0.5	12
Ultimate vacuum [mbar abs.]	120	120	25	70
Flow rate at atm. pressure [l/min]** -50 Hz	30	58	30	30
-60 Hz	35	68	35	35

Tab.6 \*bar rel relative to 1013 hPa

\*\*Liters in the standard state based on ISO 8778 and ISO 21360-1/2 (1013 hPa, 20°C)

##### Pneumatic connections

Pump type	Value
N630, N630.3, N630.15	Thread size G 1/4*
N630.1.2	For 10 mm OD pipe

Tab.7 \*Acc. to ISO 228

**Connection for water cooling**

Pump type	Value	Value
N630	Thread size G 1/4*	9 mm ID tubing
N630.1.2	Thread size G 1/4*	9 mm ID tubing
N630.3	Thread size G 1/4*	9 mm ID tubing
N630.15	Thread size G 1/4*	9 mm ID tubing

Tab.8 \*Acc. to ISO 228

**Electrical data for pumps with three-phase motor****N630**

Parameter	Value	Value	Value	Value
Voltage [V]*	200/346	277/480	220/380	230/400
Frequency [Hz]*	50/60	60	60	50
Power P <sub>1</sub> [W]	340	350	360	340
Current draw [A]	3.3/1.9	2.2/1.25	2.8/1.6	3.3/1.9
Motor protection class (DIN EN 60529 / IEC 60529)	See motor type plate			
Max. permissible supply voltage fluctuations	See operating instructions for motor			

Tab.9 \*For further voltage and frequency variants, see type plate

\*\*See type plate

**N630.1.2**

Parameter	Value	Value	Value	Value
Voltage [V]*	200/346	277/480	220/380	230/400
Frequency [Hz]*	50/60	60	60	50
Power P <sub>1</sub> [W]	540	530	530	510
Current draw [A]	3.3/1.9	2.35/1.35	3.0/1.7	3.3/1.9
Motor protection class (DIN EN 60529 / IEC 60529)	See motor type plate			
Max. permissible supply voltage fluctuations	See operating instructions for motor			

Tab.10 \*For further voltage and frequency variants, see type plate

\*\*See type plate

**N630.3**

Parameter	Value	Value	Value	Value
Voltage [V]*	200/346	277/480	220/380	230/400
Frequency [Hz]*	50/60	60	60	50
Power P <sub>1</sub> [W]	350	350	360	340
Current draw [A]	3.3/1.9	2.2/1.25	2.8/1.6	3.3/1.9
Motor protection class (DIN EN 60529 / IEC 60529)	See motor type plate			
Max. permissible supply voltage fluctuations	See operating instructions for motor			

Tab.11 \*For further voltage and frequency variants, see type plate

\*\*See type plate

**N630.15**

Parameter	Value	Value	Value	Value	Value
Voltage [V]*	200/346	200/346	277/480	220/380	230/400
Frequency [Hz]*	50	60	60	60	50
Power P <sub>1</sub> [W]	540	540	540	540	510
Current draw [A]	6.15/3.55	7.0/4.05	7.0/4.05	3.9/2.2	6.5/3.75
Motor protection class (DIN EN 60529 / IEC 60529)	See motor type plate				
Max. permissible supply voltage fluctuations	See operating instructions for motor				

Tab.12 \*For further voltage and frequency variants, see type plate

\*\*See type plate

**Weight**

Pump type	Weight [kg] SP/ST
N630	Approx. 36
N630.1.2	Approx. 45
N630.3	Approx. 45
N630.15	Approx. 55

Tab.13 Weight

**Other parameters**

Parameter	Value
Permissible ambient temperature [°C]	
- without water cooling	+ 5 to + 40
- with water cooling	+ 5 to + 60
Permissible media temperature [°C]	
- without water cooling	+ 5 to + 40
- with water cooling	+ 5 to + 60
Max. surface temperature* [°C]	+ 85
Dimensions	See Chapter 6.1 <i>Installing the pump</i>
Gas tightness** of the pump head (Leak rate):	
N630.9, N630.1.2.9, N630.3.9, N630.15.9	< 6 x 10 <sup>-3</sup> mbar l/s***
N630.13, N630.1.2.13, N630.3.13, N630.15.13	< 5 x 10 <sup>-5</sup> mbar l/s***
Highest permissible relative air humidity of the environment	80% for temperatures to 31 °C, decreasing linearly to 50% at 40 °C (non-condensing).
Maximum installation altitude [m above sea level]	See operating instructions for motor
Pump protection class (DIN EN 60529 / IEC 60529)	IP20
Noise****	Max. 70-80 dB (A)

Tab.14 \*To reduce the surface temperature of the pump heads and to extend the service life of the diaphragm, you can optionally attach a water cooling system (see Chapter 6.4 *Connecting water cooling (optional)*).

*\*\*The gas tightness of the pump head is no longer ensured after the pump head is opened or after the diaphragm and valve springs are changed. A leak test can be used to determine whether the original gas tightness has been re-established.*

*\*\*\*Values apply to helium leak test*

*\*\*\*\*Max. emission sound pressure level over the entire pressure range with gas connections attached*

Start-up against pressure/  
vacuum



Please contact KNF Customer Service.

## 4 Product description

### Design

- 1 Pneumatic pump outlet
- 2 Pneumatic pump inlet
- 3 Electrical terminal box
- 4 Motor
- 5 Motor fan cowl
- 6 Connection for water cooling

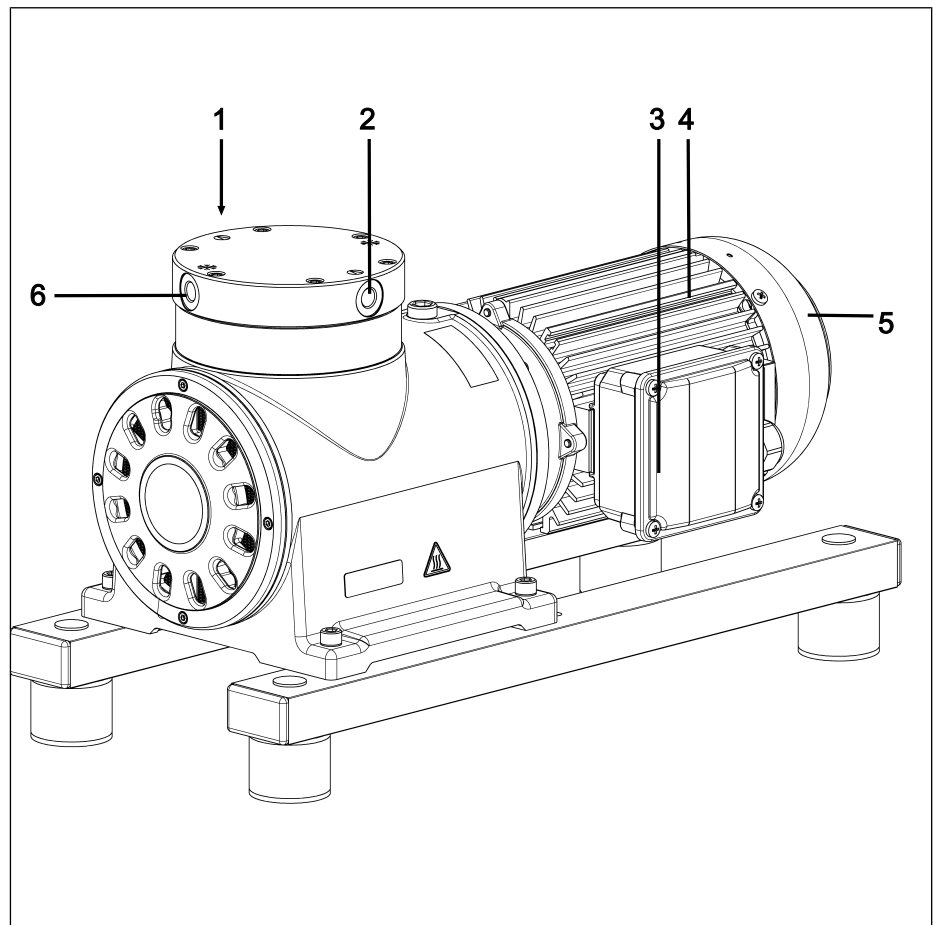


Fig.1 Design N630

- 1 Union nut
- 2 Connection for water cooling
- 3 Pneumatic head connection
- 4 Pneumatic pump inlet
- 5 Motor
- 6 Motor fan cowl
- 7 Electrical terminal box
- 8 Pneumatic pump outlet

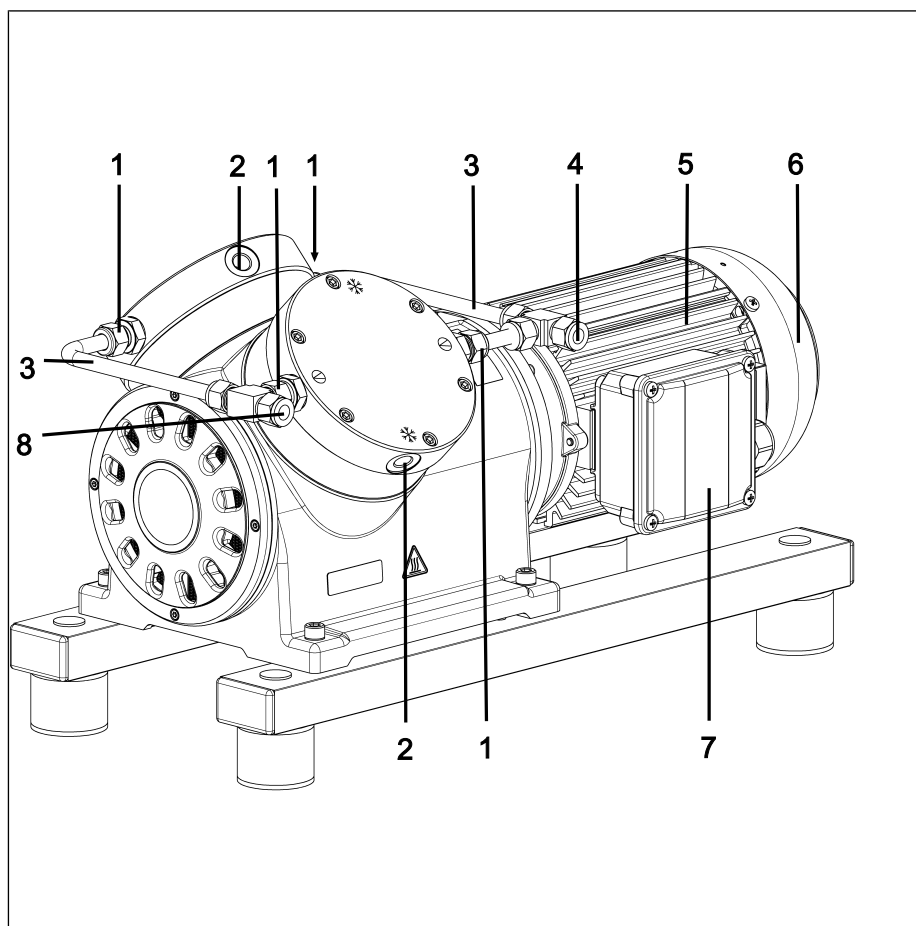


Fig.2 Design N630.1.2

- 1 Pneumatic pump outlet
- 2 Connection for water cooling
- 3 Union nut
- 4 Pneumatic head connection
- 5 Motor
- 6 Motor fan cowl
- 7 Electrical terminal box
- 8 Pneumatic pump inlet

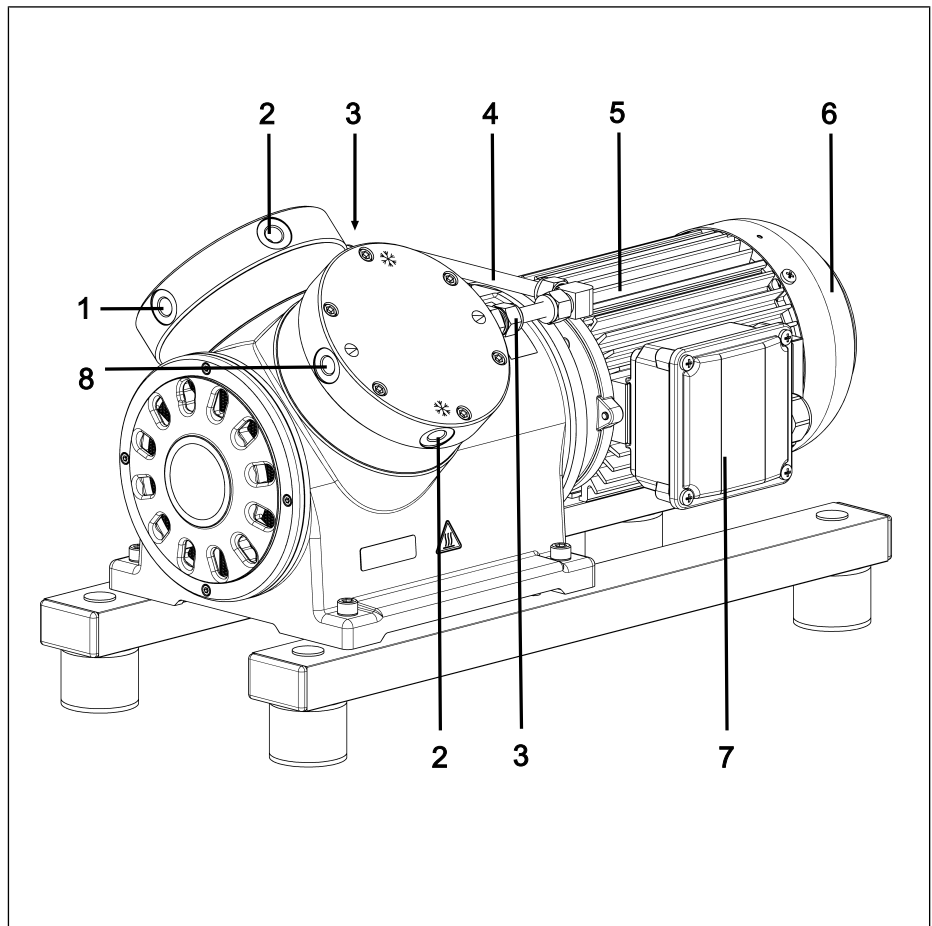


Fig.3 Design N630.3

- 1 Pneumatic pump inlet
- 2 Connection for water cooling
- 3 Union nut
- 4 Pneumatic head connection
- 5 Motor
- 6 Motor fan cowl
- 7 Electrical terminal box
- 8 Pneumatic pump outlet

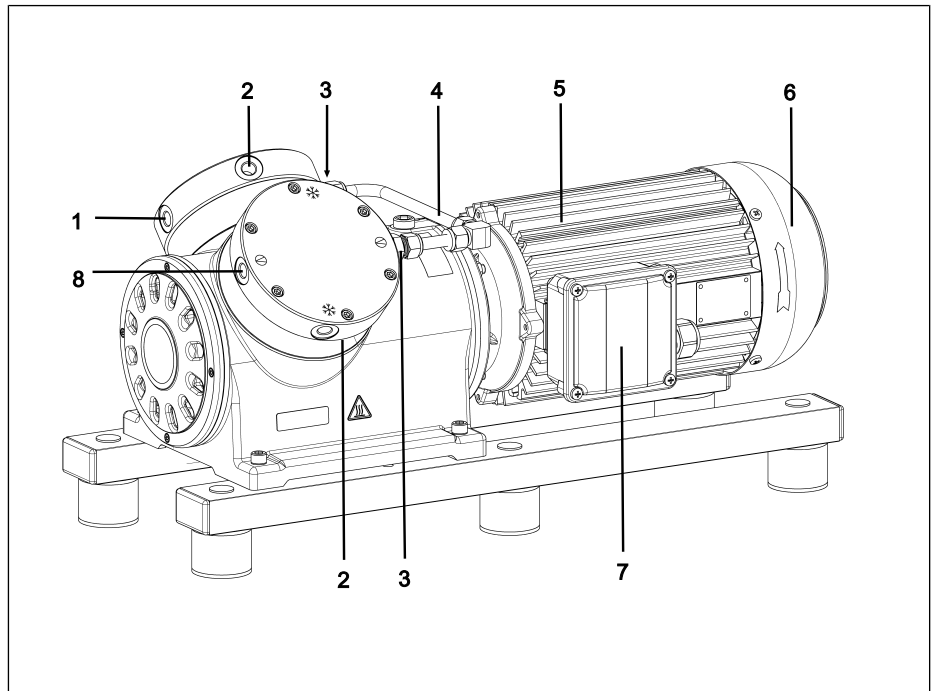
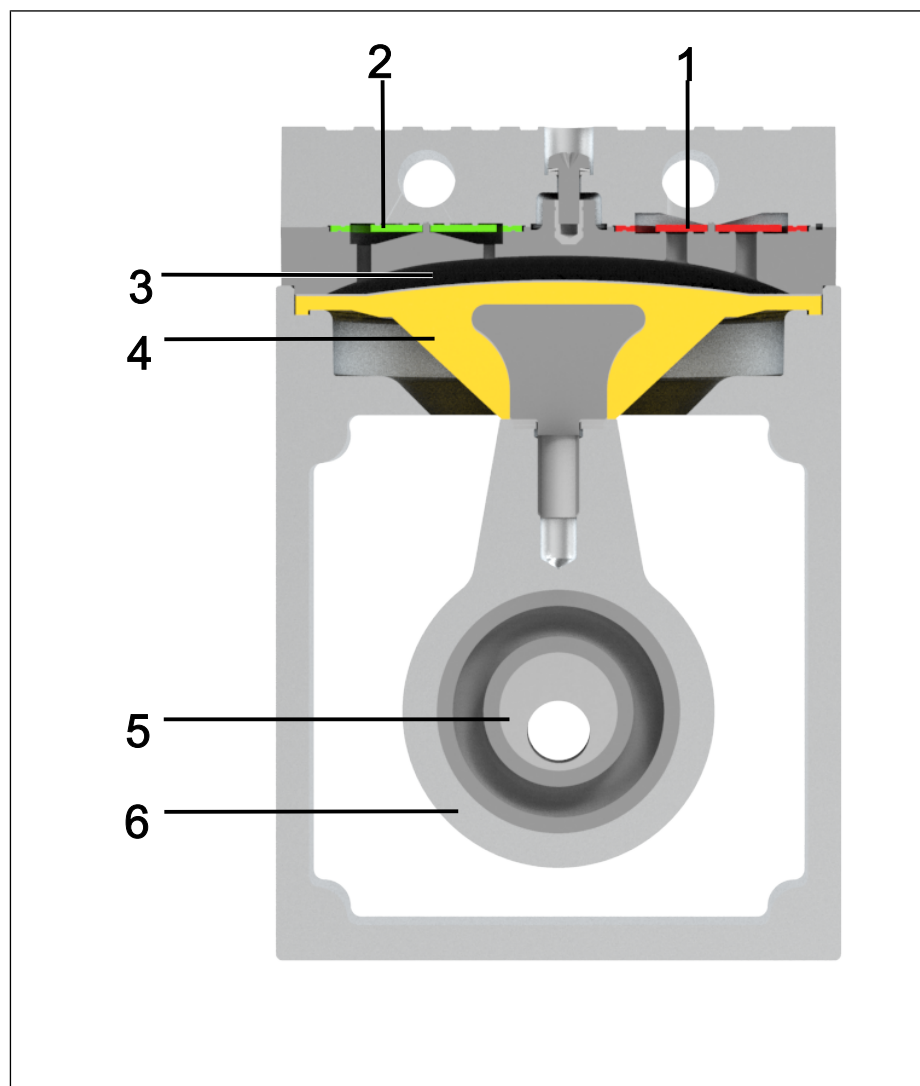


Fig.4 Design N630.15



**Function of a diaphragm pump**

- 1 Outlet valve
- 2 Inlet valve
- 3 Transfer chamber
- 4 Diaphragm
- 5 Eccentric
- 6 Connecting rod



*Fig.5 Function of a diaphragm pump*

Diaphragm pumps transfer, compress (depending on the version) and evacuate gases and vapors.

The elastic diaphragm (4) is moved up and down by the eccentric (5) and the connecting rod (6). In the downwards stroke, it aspirates the gas to be transferred via the inlet valve (2). In the upwards stroke, the diaphragm presses the medium out of the pump head via the outlet valve (1). The transfer chamber (3) is separated from the pump drive by the diaphragm.

## 5 Transport

### General



Personal injury and/or property damage due to incorrect or improper transport of the pump

In the event of incorrect or improper transport, the pump can fall down, be damaged or injure persons.

- Use suitable auxiliary means if necessary (carrying strap, lifting gear, etc.).
- Where appropriate, wear suitable personal protective equipment (e.g., safety shoes, safety gloves).



Risk of injury from sharp edges on the packaging

There is a risk of injury from cutting on the sharp edges when grabbing corners or when opening the packaging.

- Where appropriate, wear suitable personal protective equipment (e.g., safety shoes, safety gloves).

Only for two-headed pumps:



Personal injury and/or property damage due to incorrect or improper transport of the pump

If the pump is raised and/or carried on the connection during transport, leaks and/or damages to the pump may result.

- Do not carry the pump on the pneumatic connection.

- Transport the pump in the original packaging to the installation location.
- Keep the original packaging of the pump (e.g. for later storage).
- Inspect the pump for transport damage after receiving it.
- Document any transport damage that has occurred.
- Remove any transport safeguards on the pump prior to commissioning.

### Parameter

Parameter	Value
Storage temperature [°C]	+ 5 to + 40
Transport temperature [°C]	- 10 to + 60
Permissible humidity (non-condensing) [%]	30 to 85
Max. storage period (Aging, ball-bearing grease) [Mon.]	48

Tab.15 Transport parameters and storage parameters



Prior to commissioning, make sure that the pump has reached the ambient temperature (*3 Technical data*).

### Transport with carrying strap



Fig.6 Position of carrying strap (example)

1. Pull the carrying strap under the pump (see Fig. 6).



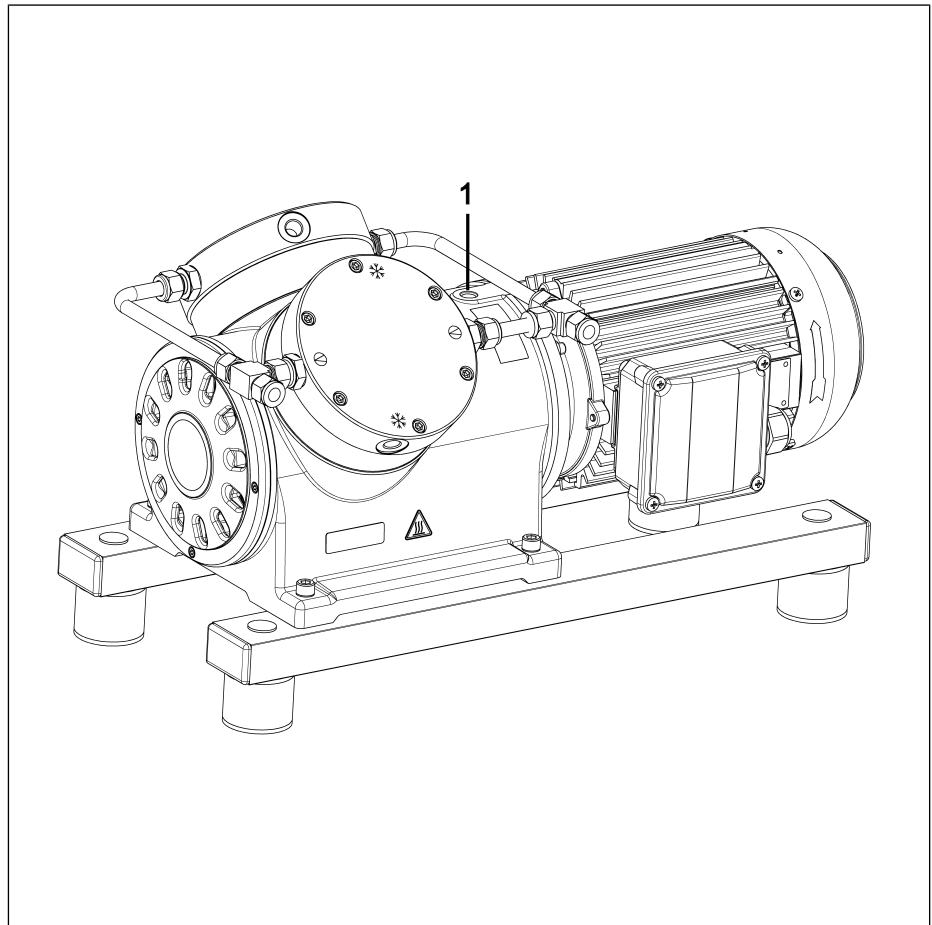
Fig.7 Fastening the carrying strap (pump shown as an example)

2. Fasten the carrying strap between compressor housing and motor (Fig. 1, see Fig. 7).
3. Make certain that the lifting load cannot be transferred from the belt to the pump connection.
4. Lift the pump from the packaging with the help of lifting gear.
5. Lower the pump carefully at the installation location.

## Transporting with lifting eyebolt

1. Unscrew the M12 screw (1).

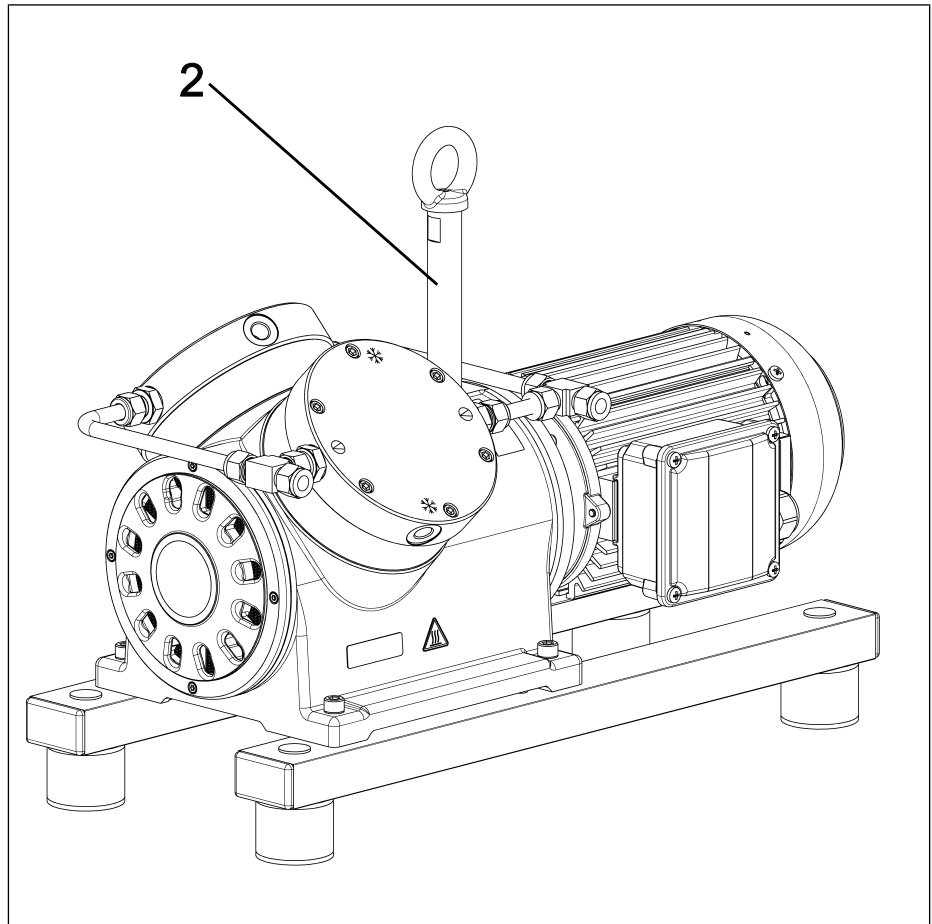
1 M12 screw



*Fig.8 Unscrew the M12 screw (pump illustrated as an example)*

2. Screw the transport eyebolt (2) hand-tight into the threaded hole.

**i** The transport eyebolt (2) is available as an accessory (see 9.2 Accessories).

**2** Lifting ring

*Fig.9 Transport by the lifting ring*

3. Lift the pump from the packaging with the help of lifting gear.
4. Lower the pump carefully at the installation location.
5. Remove the transport eyebolt (2).
6. Screw the M12 screw (1) back into the thread.

## 6 Installation and connection

Only install the pumps in accordance with the operating parameters and conditions described in Chapter 3 *Technical data*.

→ Observe the safety instructions (see Chapter 2 *Safety*).



Risk of dangerous gas mixtures during pump operation

Depending on the medium being transferred, breakage of the media-contacting components can result in a dangerous mixture if the medium mixes with the air in the compressor housing or the surroundings.

→ Before using a medium, check the compatibility of the media-contacting components (see 3 *Technical data*) with the medium.

### 6.1 Installing the pump

→ Store the pump at the installation location to allow it to adapt to the ambient temperature before installation (condensation must not be allowed to form).

Mounting dimensions → For mounting dimensions, see the following illustrations:

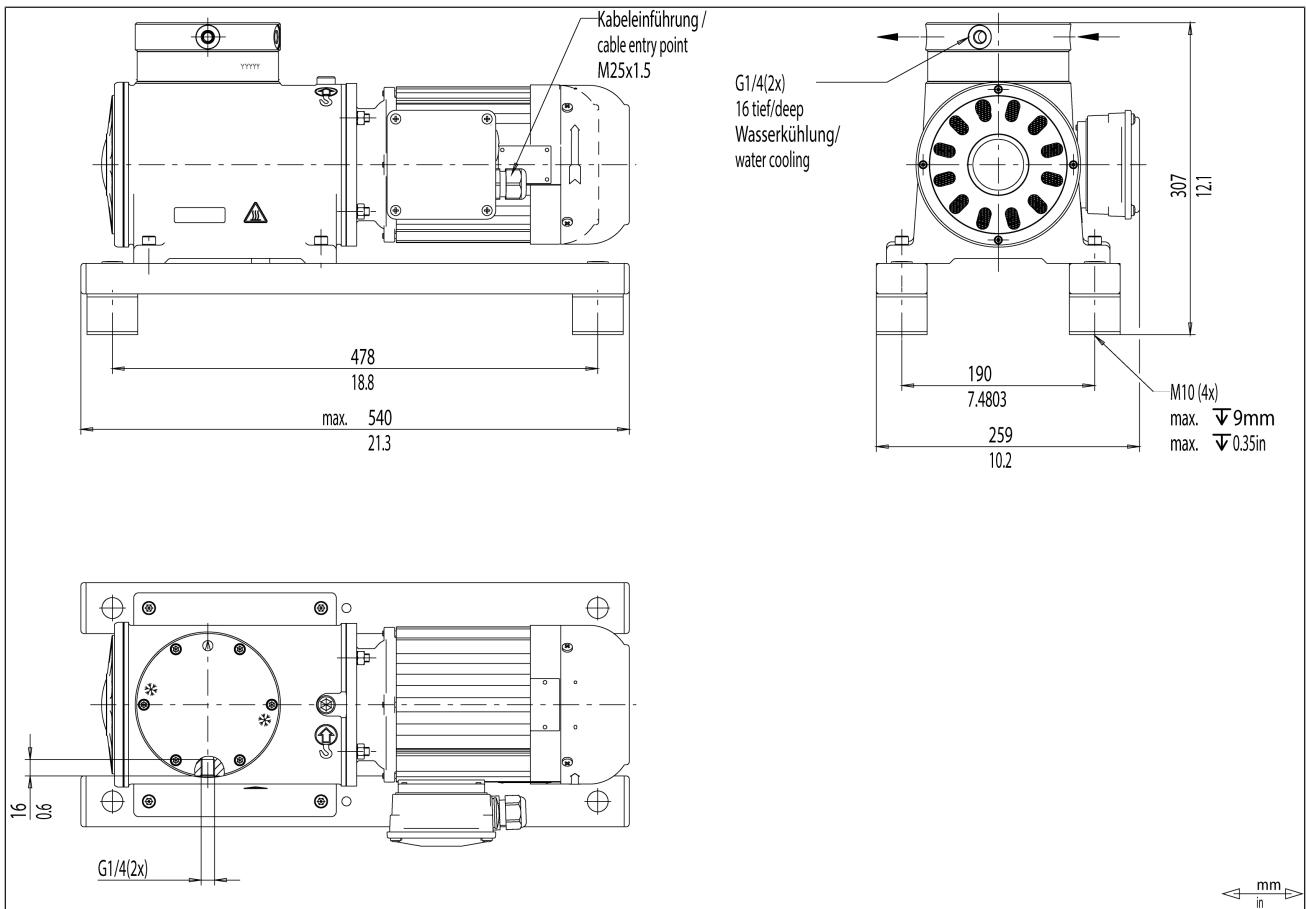


Fig.10 Mounting dimensions pump series N630

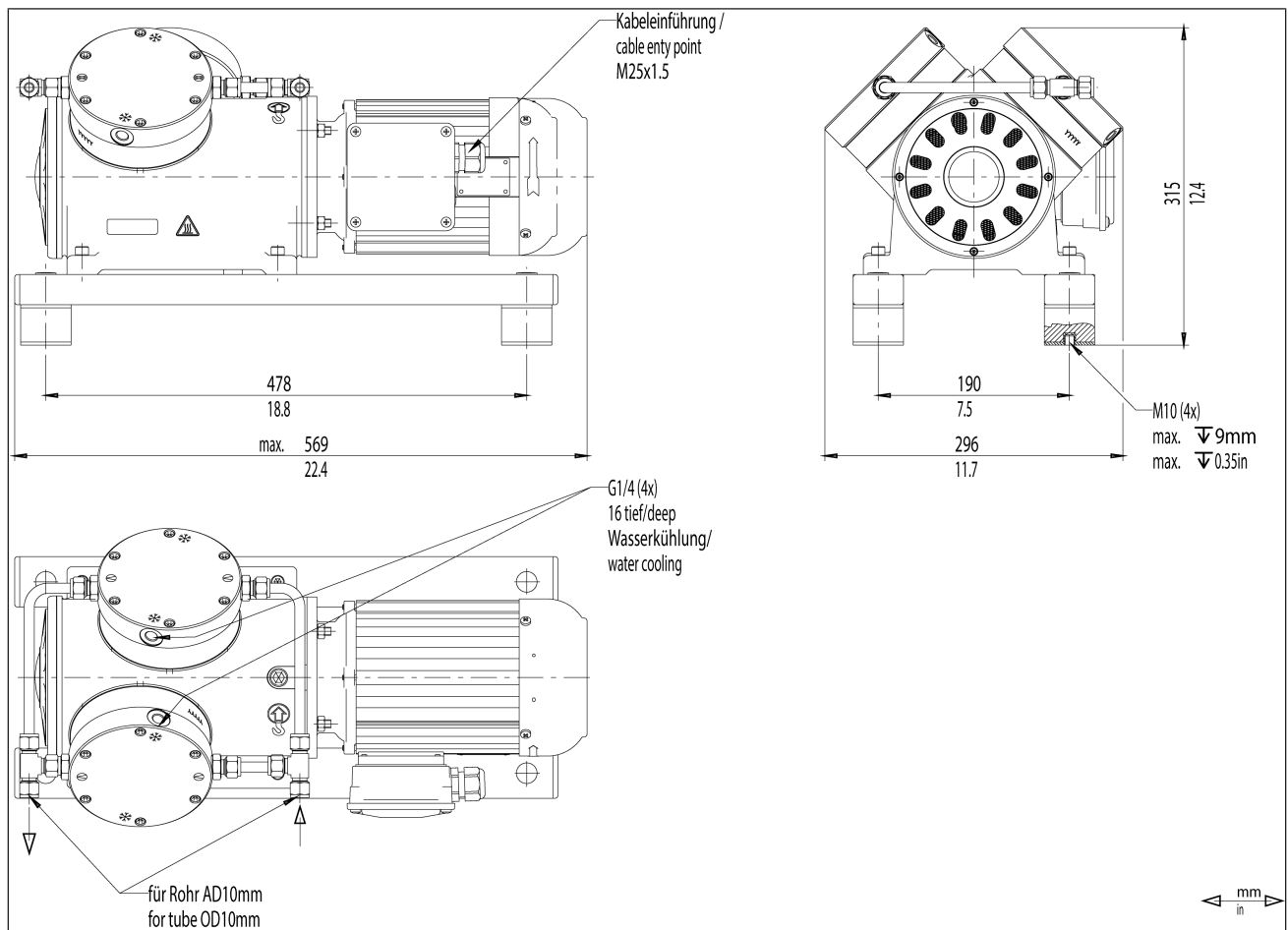


Fig.11 Mounting dimensions pump series N630.1.2



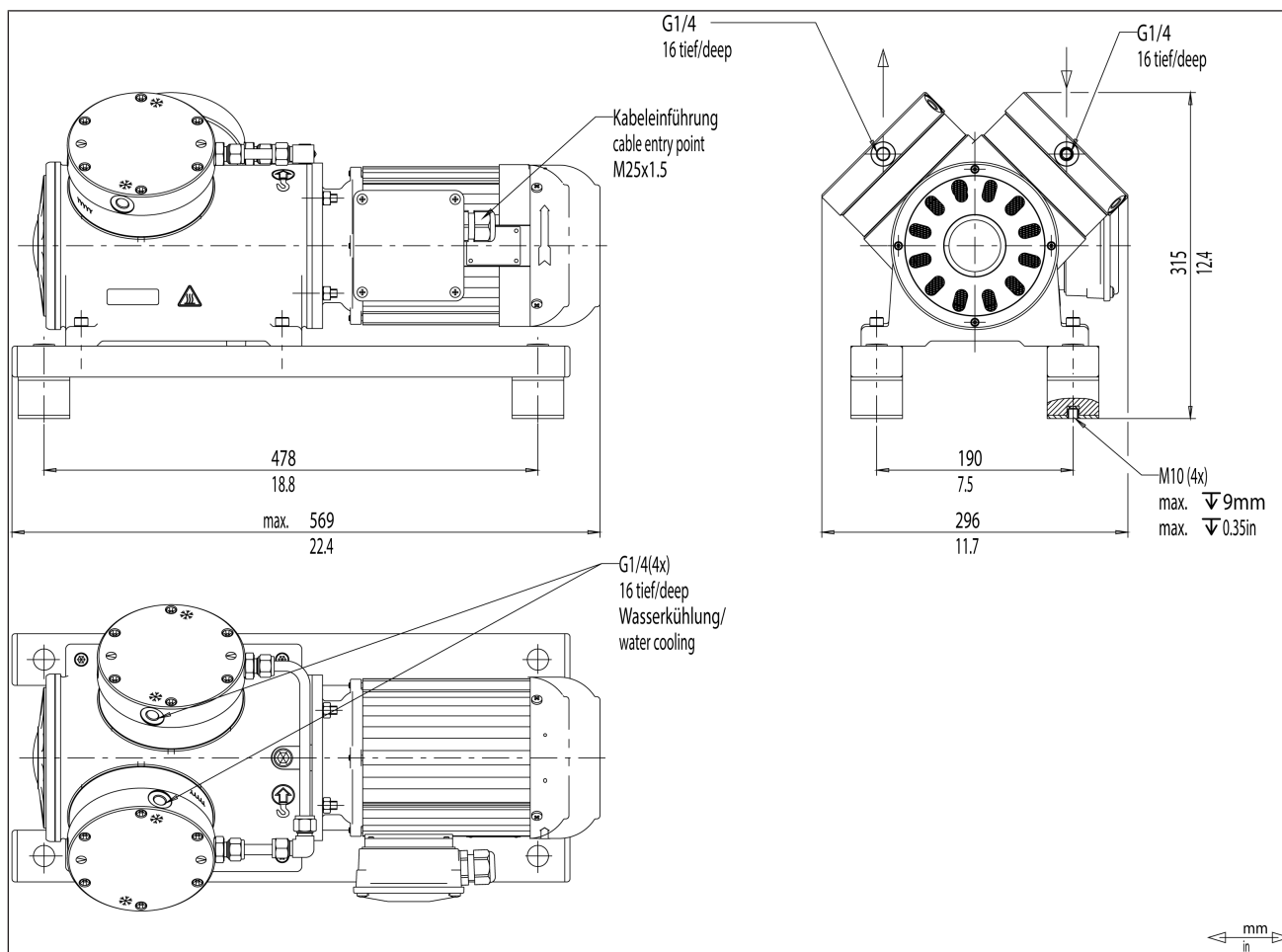


Fig.12 Mounting dimensions pump series N630.3

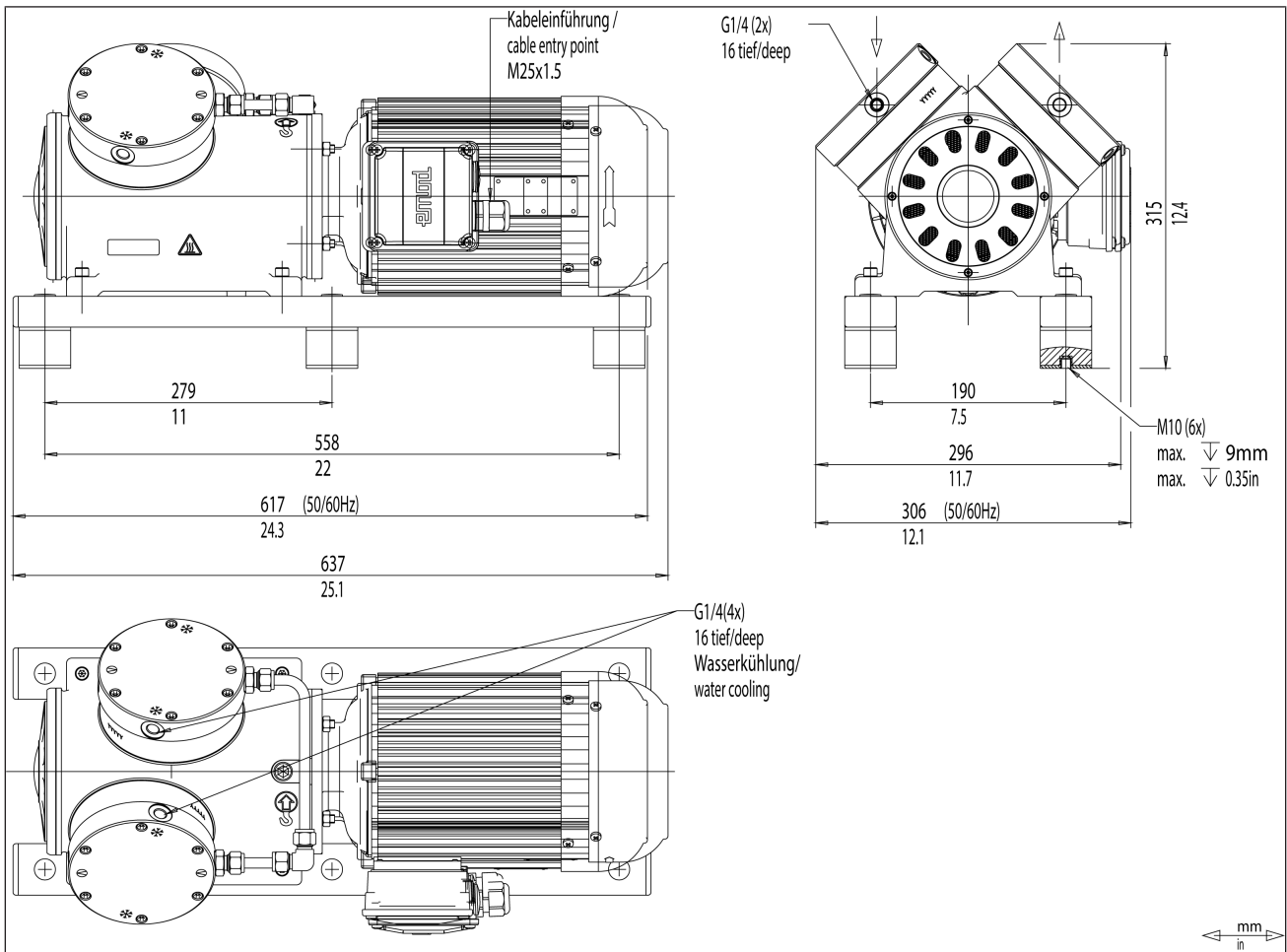


Fig. 13 Mounting dimensions pump series N630.15

Cooling air supply



Danger of burning on hot surfaces

Hot surfaces could occur if the pump overheats.

→ When installing the pump, make sure that sufficient cooling air infeed and discharge is ensured.

Proximity to hot pump parts

→ During installation, make sure that no combustible or thermally deformable objects are positioned in proximity to hot pump parts (head, motor).

Installation location

→ Make sure that the installation location is dry and that the pump is protected from rain, spray water, splash water, dripping water and other contaminants.

→ Make sure the installation location allows access for servicing.

→ Make sure that access to moving parts is prevented.

**i** The IP protection class of the pump motor is specified on the type plate.

→ Install the pump at the highest point in the system to prevent condensate from collecting in the pump head.

→ Protect the pump from dust.

→ Protect the pump from vibration and impact.

- Installation position → Install the pump in the illustrated installation position. Use metal screws to fasten the pump at the indicated attachment points (see *6 Installation and connection*).



Personal injury and/or property damage from vibrations

Pump vibrations, in combination with adjacent components, can result in crushing and/or damage to these components.

- Make sure that pump vibrations cannot lead to dangers in combination with adjacent components.

- Protection against foreign objects → Protect the pump against contact and the ingress of foreign bodies.

## 6.2 Electrical connection



Danger to life from electric shock

- Only have the pump connected by an authorized specialist.  
 → Only have the pump connected if the power supply is disconnected.

- When connecting to a power source, observe the applicable standards, regulations, directives, and technical standards.  
 → When connecting to a power source, carefully read and observe the motor operating instructions (including the notice on insulation resistance measurement).



Automatic restart after interruption of the power supply

If the power supply is interrupted or the thermal overload fuse of the motor is activated, the pump will automatically restart.

- Take appropriate protective measures.

- The pumps have been developed, manufactured and tested for S1 operation.  
 Additional operating modes can be made possible on a project-specific basis following consultation with KNF Customer Service.
- Install a device for separating the pump motor from the electrical grid in the electrical installation (e.g. in accordance with EN 60335-1).
- i** Refer to the type plate for the maximum current consumption of the pump.
- Install an Emergency Off device such that it is not possible for there to be an automatic restart or for hazardous situations to persons and property to occur.
- Install the pumps in such a way that it is not possible to touch electrically live parts (electrical connection).

- Fastening the connection cables → Fasten the connection cables so that
- the cables do not come into contact with movable or hot parts.
  - the cables cannot be worn or damaged on sharp corners or edges
  - no tensile and pressure forces are exerted on the connection point of the cables (strain relief)

Variable frequency drive Pumps with three-phase motor are designed for operation with a variable frequency drive in the speed range 500 – 1500 rpm (50 Hz) or 600 – 1800 rpm (60 Hz) (see also Chapter 6.2 *Electrical connection*).

**i** The three-phase motors are suitable for operation with frequency converters.

### Connecting the pump

1. Confirm that the power supply meets the parameters listed on the pump type plate. Refer to the pump type plate for the rated current draw.

**i** For the permissible deviation of the supply voltage, see operating instructions for motor.

2. Open the terminal box cover.
3. Connect the ground conductor to the pump motor.
4. Connect the electrical power cables in accordance with the operating instructions for the motor.



### NOTICE

Set the direction of rotation according to the arrow on the motor fan cowl (see 6.1 *Installing the pump* and the motor operating instructions).

5. Connect the thermal overload fuse (PTC thermistor sensor) (see operating and installation instructions for the motor).
6. Close the terminal box cover again.

## 6.3 Pneumatic connection



### CAUTION

Personal injury or property damage through ejected plugs

If not removed, the plugs on the outlet of the pump can be ejected during operation by the resulting overpressure.

→ Remove the plugs during installation.

→ Wear appropriate personal protective equipment.

Connected components → Only connect components to the pump that are designed for the pneumatic data and thermal requirements of the pump. (see Chapter 3 *Technical data*).

Pressure relief device → Protect the compressors by means of a pressure relief device between the pressure-side connections of the compressor and the first shut-off valve.

- Pump discharge → Discharge the possibly hot pump discharge at the pneumatic outlet of the pump safely (with regard to medium and noise).
- Decoupling → KNF recommends mechanically decoupling the pump from the pipe system, e.g., through the use of flexible hoses or pipes. In this way it is possible to prevent the transfer of possible pump vibrations and noises to the system.

**Connecting the pump**

**i** A marking on the pump head indicates the flow direction.



Risk of injury due to mixing up inlet and outlet  
 Mixing up the inlet and outlet may cause breakage of components connected at the inlet and outlet.  
 → Observe the marking of inlet and outlet on the pump head.

1. Remove the protective plugs from the hose connection threads.
2. Connect the suction line and the pressure line (for mounting dimensions, see Chapter 3 *Technical data*).
3. Lay the suction line and pressure line with a descent so that no condensate can run into the pump.

**i** Pneumatic noises can be reduced or dissipated by using a silencer.

**6.4 Connecting water cooling (optional)**

Ambient temperature / gas temperature + 40°C to + 60°C → Connect the water cooling to prevent damage to the diaphragm.

**i** Water cooling (see 9.2 *Accessories*) can increase the service life of the diaphragm, particularly with high pressures or high ambient temperature.

**Operating parameters**

Parameter	Value
Water temperature [°C]	+ 5 to + 30
Water pressure [bar g]	< 1.0
Water flow rate [l/min]	> 1.0

*Tab. 16 Recommended parameters for connecting the water cooling*

1. Connect the water cooling system to the provided hose connections.  
 → Safely drain the water discharge.

**i** The flow direction is allowed in both directions.

Mounting dimensions For mounting dimensions, see the following dimensional drawings:

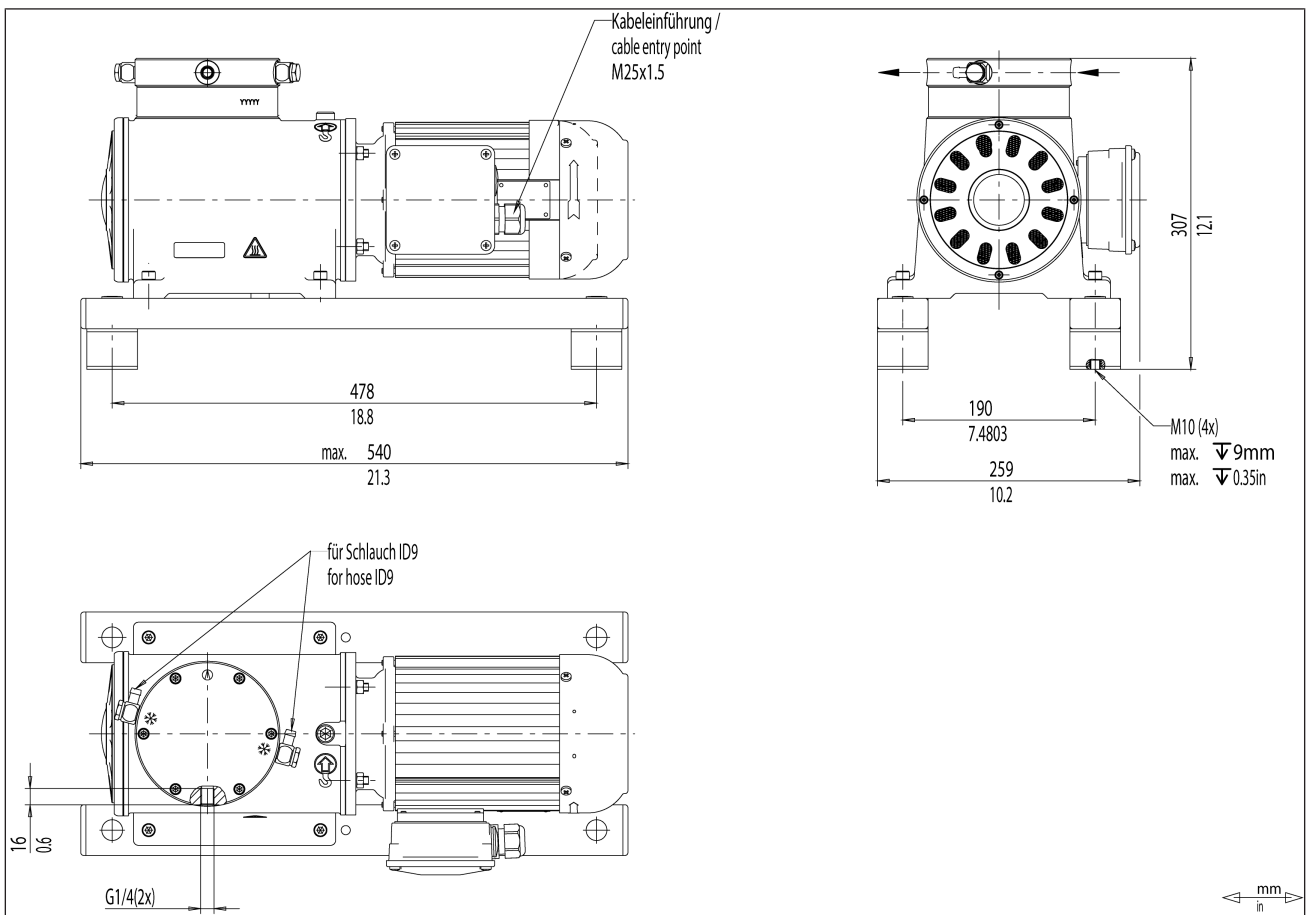


Fig. 14 Mounting dimensions pump series N630

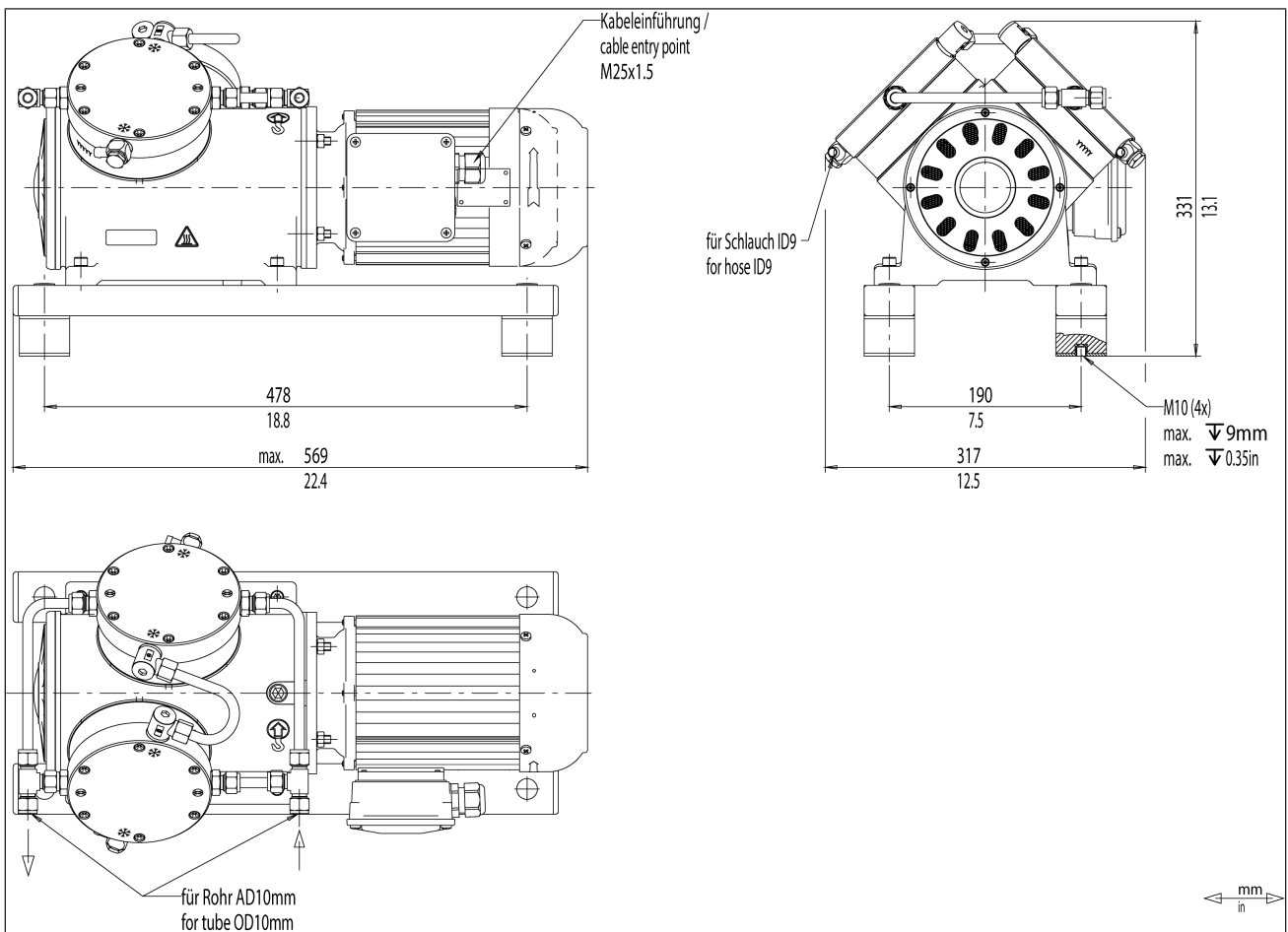


Fig.15 Mounting dimensions pump series N630.1.2

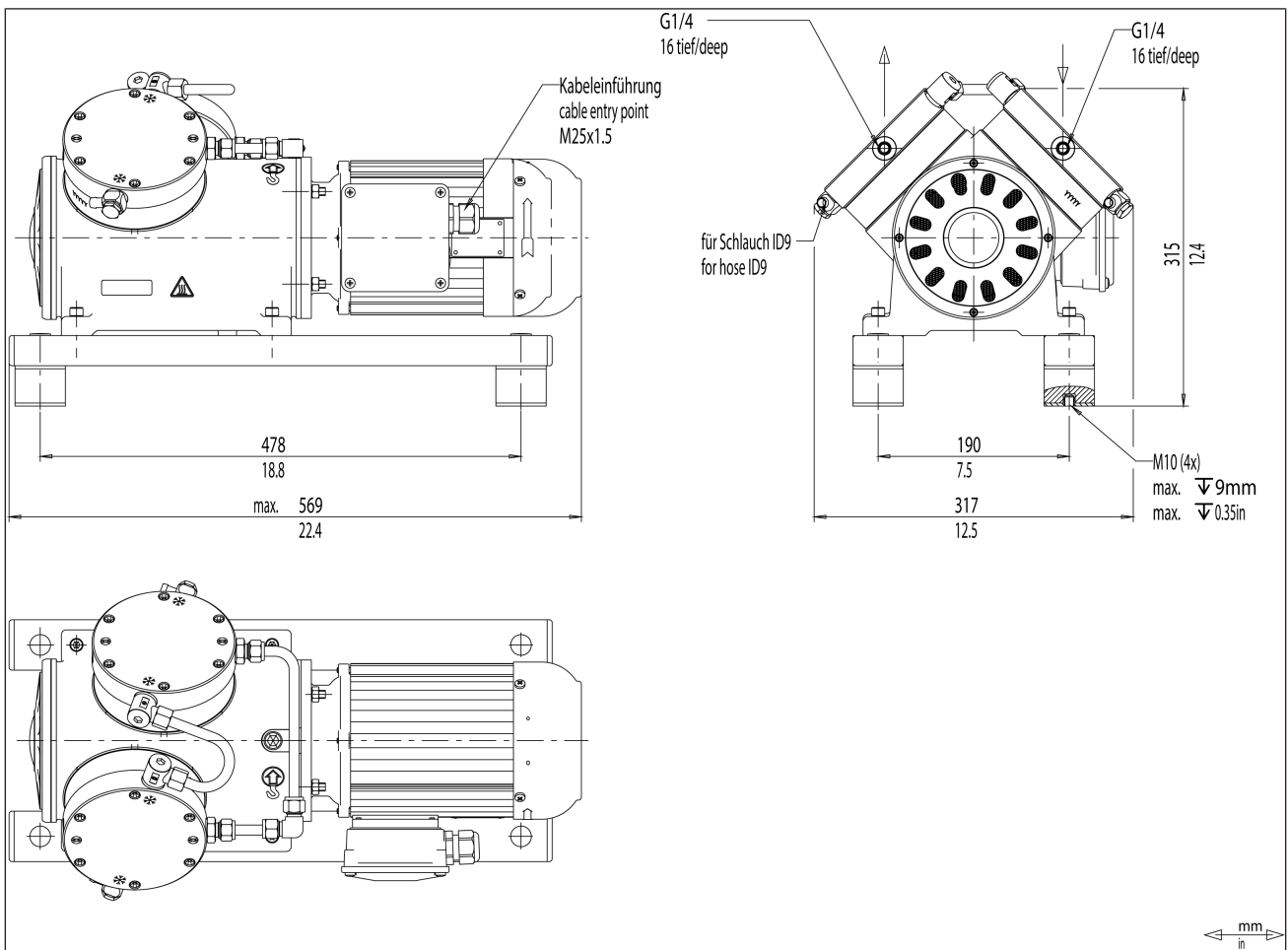


Fig.16 Mounting dimensions pump series N630.3



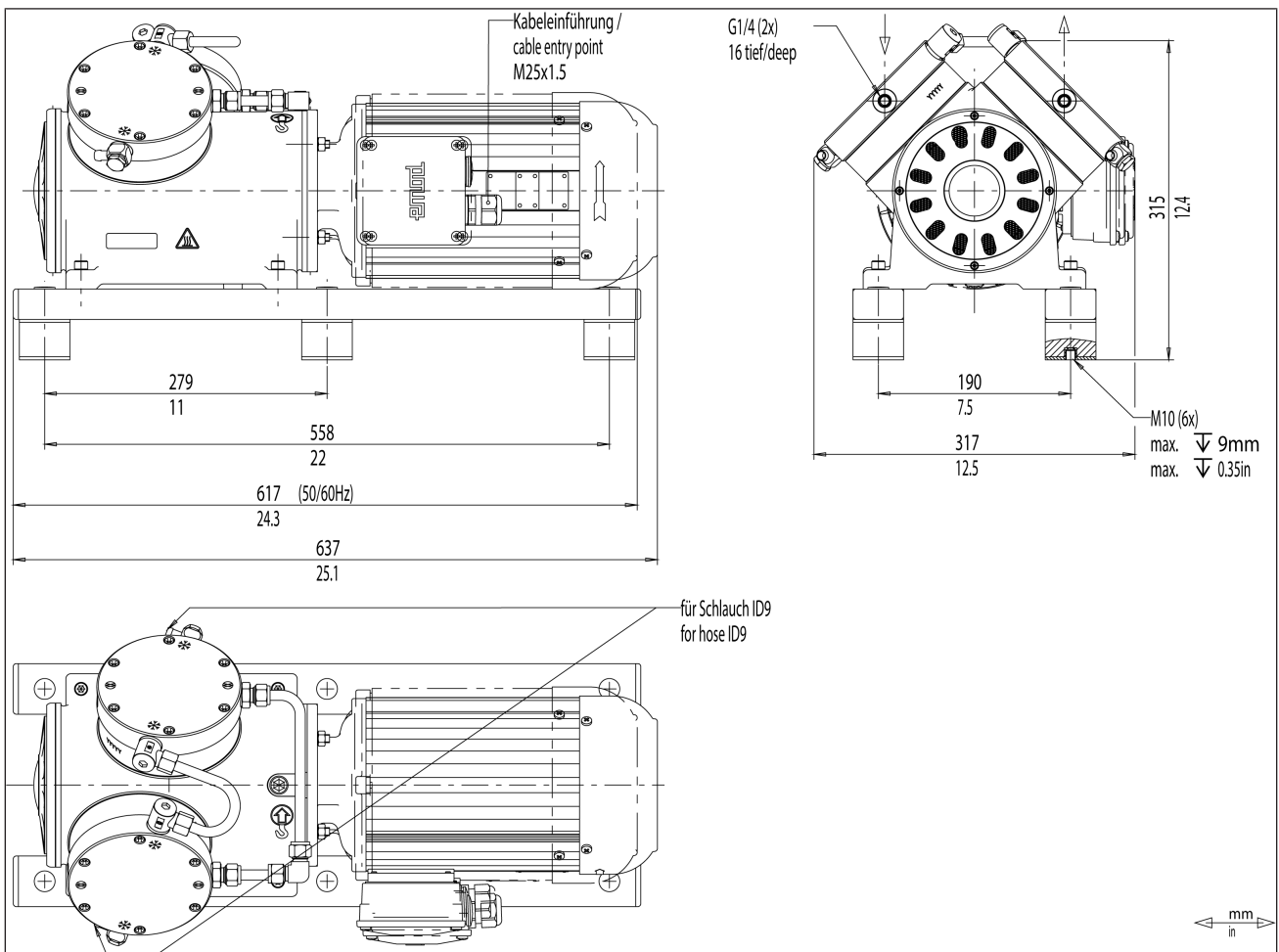


Fig.17 Mounting dimensions pump series N630.15

## 7 Operation

### 7.1 General



Risk of burns from hot pump parts and/or hot medium

Some pump parts may be hot during or after operation of the pump.

- Allow the pump to cool after operation.
- Take protective measures to protect against touching hot parts.



Injury to eyes

Coming too close to the inlet/outlet of the pump may result in injury to the eyes due to the present vacuum/operating pressure.

- Do not look into the pump inlet/outlet during operation.

- Only operate the pumps under the operating parameters and operating conditions as described in Chapter 3 *Technical data*.
- Ensure the proper use of the pumps (See Chapter 2.6.1 *Proper use*).
- Rule out the possibility of foreseeable misuse of the pumps (see chapter 2.6.2 *Foreseeable misuse*).
- Observe the safety instructions (Chapter 2 *Safety*).



Risk of bursting of pump head due to excessive pressure increase

- Do not exceed the maximum permissible operating pressure (see 3 *Technical data*).
- Monitor the pressure during operation.
- If the pressure exceeds the maximum permissible operating pressure of the pump: Switch the pump off immediately and remedy the malfunction (see Chapter 10 *Störung beheben*).
- Only throttle or regulate the air or gas quantity on the inlet line to prevent the maximum permissible operating pressure from being exceeded.
- If the air quantity or gas quantity on the outlet line is throttled or regulated, make sure that the maximum permissible operating pressure at the pump is not exceeded.
- Ensure that the pump outlet is not closed or restricted.

**NOTICE**

Excessive pressure, with all of the associated hazards, can be prevented by means of a bypass line with a pressure relief valve between the outlet and inlet of the pump. Further information is available from KNF Customer Service (contact data: see [www.knf.com](http://www.knf.com)).

**WARNING**

Risk of dangerous gas mixtures during pump operation if diaphragm breaks

If the diaphragm should break, the medium will mix with the air in the compressor housing or in the surroundings.

→ Stop pump immediately.

→ Replace the diaphragm prior to further operation (see Chapter 8 *Servicing*).



Because the diaphragm is a wear part, diaphragm breakage may occur at any time.

**NOTICE**

Operation with open gas connection at the inlet can result in contaminants and objects being drawn in.

Pump standstill

→ When the pump is at a standstill, establish normal atmospheric pressure in the lines.

Start-up against pressure/  
vacuum



Please contact KNF Customer Service.

Vapors as medium

The service life of the diaphragm can be extended, if no condensate forms in the pump. Therefore:

→ Perform any work with saturated or near-saturated vapors only with a warm pump.

→ KNF recommends: When pumping corrosive media, flush the pump before switching off (see Chapter 8.2.1 *Flushing the pump*) to extend the service life of the diaphragm.

## 7.2 Information on switching the pump on and off

### Switching on the pump



The pump must not be started up against pressure or vacuum during switch-on. This also applies during operation after a brief power failure. If a pump starts up against pressure or vacuum, the pump may block, thereby activating the thermal switch or triggering device for the PTC thermistor sensors and switching off the pump.

→ Ensure that normal atmospheric pressure is present in the lines when switching on.

**Switching off/decommissioning the pump**

- Establish normal atmospheric pressure in the lines (relieve pump pneumatically).
- Recommissioning → Before recommissioning, observe the applicable standards, guidelines, regulations and technical standards at the electrical connection.
- Inspecting the pump → Inspect the pump periodically for external damage or leakage.

## 8 Servicing



### NOTICE

Servicing the pump

Damage to the pumps can result from failure to observe the applicable legal regulations and procedures for the location or intervention by untrained or uninstructed personnel.

- Servicing may only be performed according to the legal regulations (e.g. work safety, environmental protection) and provisions.
- Servicing may only be performed by specialized personnel or trained and instructed personnel.

### 8.1 Servicing schedule

Component	Servicing interval
Pump	<ul style="list-style-type: none"> <li>→ Perform periodic inspections for external damage or leakage.</li> <li>→ Periodically check for noticeable changes to noises and vibrations.</li> </ul>
Gas connections	<ul style="list-style-type: none"> <li>→ Perform periodic inspections for external damage or leakage.</li> </ul>
Diaphragm and reed valves	<ul style="list-style-type: none"> <li>→ Change at the latest when the pump capacity decreases.</li> <li>→ Change, if the pressure or delivery rate of the pump changes for no apparent reason.</li> </ul>
For N630.15 Pump bearing (on pump shaft and connecting rod)	<ul style="list-style-type: none"> <li>→ Replace after 8,000 operating hours or after no more than 48 months</li> </ul>
For N630, N630.1.2, N630.3 Pump bearing (on pump shaft and connecting rod)	<ul style="list-style-type: none"> <li>→ Replace after 34,000 operating hours or after no more than 48 months</li> </ul>
Drive mount	<ul style="list-style-type: none"> <li>→ See the operating and installation instructions for the drive; inquire with the manufacturer of the drive if necessary</li> </ul>

Tab.17

### 8.2 Cleaning

#### 8.2.1 Flushing the pump

When transferring dangerous and environmentally hazardous media, KNF recommends flushing the pump with air at atmospheric pressure for a few minutes prior to switch-off (if necessary for safety reasons: with an inert gas) to extend the service life of the diaphragm.

- Discharge the media safely.

### 8.2.2 Cleaning the pump

Requirements → Pump disconnected from mains and voltage-free



#### CAUTION

Risk of burns from hot pump parts

The pump head or motor may still be hot after operation of the pump.

→ Allow the pump to cool after operation.



#### WARNING

Health hazard due to dangerous substances in the pump

Depending on the medium being transferred, caustic burns or poisoning is possible.

→ Wear protective equipment if necessary, e.g., protective gloves, goggles.

→ Clean the pump with suitable measures.



#### NOTICE

During cleaning work, ensure that no fluids enter the interior of the housing.

- Only clean the pump with a dry wiping cloth. When cleaning, use no solvents if possible as these can affect the plastic parts.
- Only use solvents during cleaning if head materials are not corroded (ensure resistance of the material).
- If compressed air is available, blow out the components.

### 8.3 Changing diaphragm and reed valves

Requirements → Disconnect the drive from the mains and ensure that it is deenergized.

→ Allow the pump and the drive to cool.

→ Clean the pump and free the pump of hazardous materials.

→ Remove the hoses/pipes from the pneumatic pump inlet and outlet.

→ Remove the transport eyebolt from the pump if necessary.

With multi-headed pumps, parts of the various pump heads might become mixed up.

→ Change the parts of the individual pump heads that are to be replaced one at a time.



Health hazard due to dangerous substances in the pump

Depending on the medium being transferred, caustic burns or poisoning is possible.

- Wear protective equipment if necessary, e.g., protective gloves, goggles.
- Clean the pump with suitable measures.



Risk of burns from hot pump parts

The pump head or motor may still be hot after operation of the pump.

- Allow the pump to cool after operation.



For two-headed pumps:

Servicing work should generally be performed on both heads at the same time.

Spare parts

Spare part*	Item designation**	Quantity
Diaphragm	(12)	1 (per pump head)
Washer (ST head only)	(19)	1 (per pump head)
O-ring	(2)	2 (per pump head)
O-ring (only .13)	(3)	1 (per pump head)
O-ring (only .13)	(5)	1 (per pump head)
O-ring	(7)	2 (per pump head)
Reed valve	(17)	2 (per pump head)
Valve stopper	(18)	2 (per pump head)
Retainer plate screw	(10)	1 (per pump head)
Slotted cap screw	(16)	2 (per pump head)

Tab.18 \*According to spare parts list, Chapter 9.1 Spare parts

\*\* According to Fig. 18

Tool and material

Quantity	Tool/material
1	TORX ® T30 screwdriver with torque indicator
1	5 mm hex driver with torque indicator
1	Screwdriver blade width 5.5 mm
1	Felt-tip pen
1	19 mm open end wrench (for two-headed pumps only)
1	Pozidriv PZ2 screwdriver (for fan cover)

Tab.19 \*According to accessories list, Chapter 9.2 Accessories

- 1 Head plate
- 2 O-ring
- 3 O-ring (only .13)
- 4 Retainer plate
- 5 O-ring (only .13)
- 6 Conrod plate, top
- 7 O-ring
- 8 Connecting rod
- 9 Shim rings
- 10 Retainer plate screw
- 11 Housing
- 12 Operating diaphragm
- 13 Intermediate plate
- 14 Cylindrical pin
- 15 Hexagon socket head cap screws
- 16 Slotted cap screw
- 17 Reed valve
- 18 Valve stopper
- 19 Washer (ST head only)

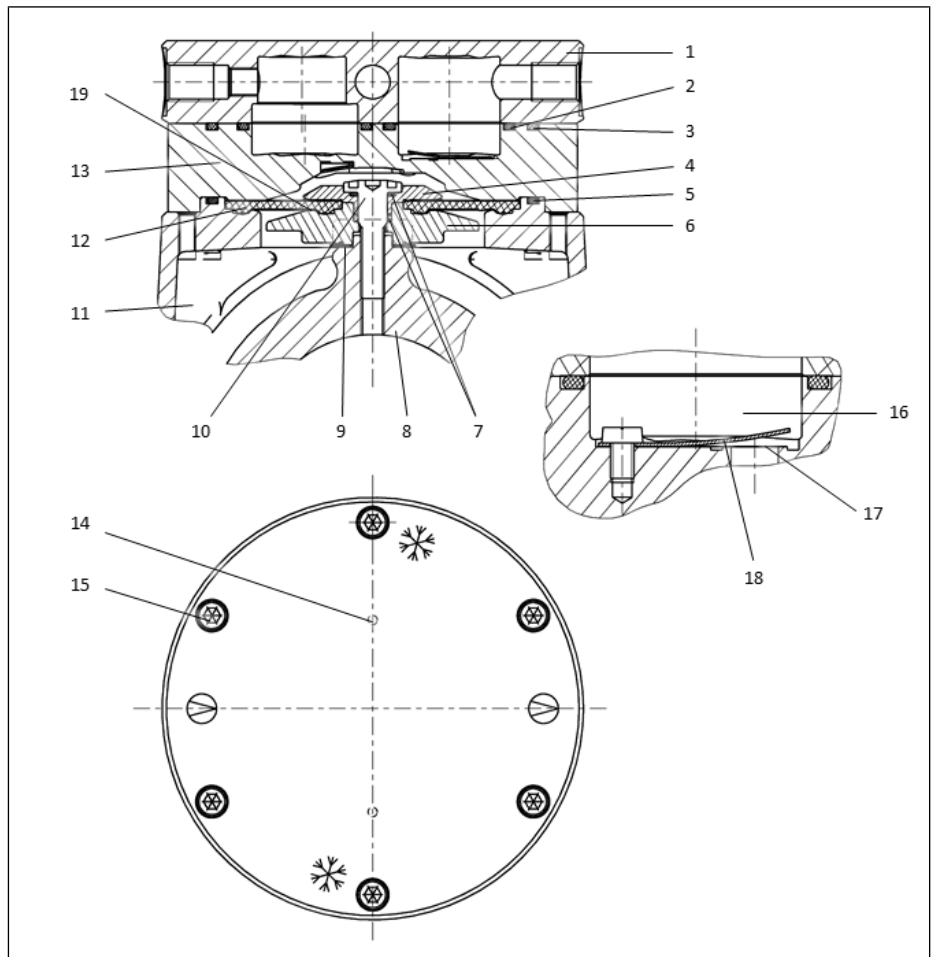


Fig.18 Components of the pump head

**i** The following item numbers refer to Fig. 18 unless specified otherwise.

**Removing the pump head**

1. Accessing the fan blades:  
Mark the motor fan cover with a continuous line made with a felt-tip pen (for later reassembly) and then loosen the fastening screws of the motor fan cover (see Chapter 4 *Product description*) and remove the cover.
2. For two-headed pumps only:  
Remove the pneumatic connection between the pump heads; to do this, mark the union nuts according to Fig. 19 and loosen them.
3. Mark head plate (1), intermediate plate (13) and housing (11) with a continuous line made with a felt-tip pen.  
This helps to avoid incorrect assembly later.
4. Loosen the six hexagon socket head cap screws (15) by turning them counterclockwise with the hex driver; Remove the head plate (1) and intermediate plate (13).
5. For two-headed pumps:  
Perform steps 3 and 4 for the second pump head.

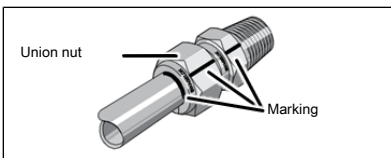


Fig.19 Marking of the union nuts

**Replacing the diaphragm**

1. Loosen the retainer plate screw (10) by turning it counterclockwise with the Torx screwdriver.
2. Remove the O-rings (7), retainer plate (4), washer (19) and diaphragm (12).



**i** When removing the diaphragm (12), make sure that the conrod plate (6) detaches from the diaphragm and remains in the pump. Otherwise, the shim rings (9) can fall into the housing (11).

3. Remove the O-rings (7) from the retainer plate screw (10).
4. Only .13:  
Remove the O-ring (5) from the housing (11).
5. Check all parts for contamination and clean them if necessary.
6. Turn the fan blade to move the conrod plate (6) to the middle position.
7. Insert the new O-ring (7) in the conrod plate (6).
8. Only .13:  
Insert the new O-ring (5) in the housing (11).
9. Place the new diaphragm (12) on the conrod plate (6).
10. Place the washer (19) on the diaphragm (12).
11. Fit the retainer plate (4).
12. Insert the new O-ring (7) in the retainer plate (4).
13. Screw the retainer plate screw (10) into the connection rod (8).
14. Tighten the retainer plate screw (10) (tightening torque: 11 Nm).
15. For two-headed pumps:  
Perform steps 1 to 13 for the second pump head.

#### Changing reed valves

1. Remove the two O-rings (2) from the intermediate plate (13).
2. Only .13:  
Remove the O-ring (3) from the intermediate plate (13).
3. Loosen the two screws (16) and remove the reed valves (17) and valve stoppers (18) from the intermediate plate (13).
4. On the suction side and pressure side, mount the new reed valves (17) and valve stoppers (18) with the slotted cap screw (16, tightening torque: 2 Nm).

**i** Make certain that the reed valves (17) and valve limiters (18) are placed symmetrically on the valve hole.

5. For two-headed pumps:  
Perform steps 1 to 4 for the second pump head.

#### Fitting the pump head

1. Place the intermediate plate (13) on the housing (11) in accordance with the felt-tip pen marking (diaphragm should be held in the middle position by holding the fan blade).
2. Insert the two new O-rings (2) in the intermediate plate (13).
3. Only .13:  
Insert the new O-ring (3) in the intermediate plate (13).
4. Place the head plate (1) on the intermediate plate (13) in accordance with the felt-tip pen marking and the orientation predefined by the cylindrical pins (14).
5. Screw in the hexagon socket head cap screws (15) one to two turns.
6. Tighten the hexagon socket head cap screws (15) crosswise (tightening torque: 11 Nm).
7. Check the pump for smooth running by turning the fan.
8. For two-headed pumps:  
Perform steps 1 to 7 for the second pump head.

9. Install the motor fan cover (see Chapter 4 *Product description*) according to the felt-tip pen marking.
10. For two-headed pumps:  
Reinstall the pneumatic connection between the pump heads. In doing so, retighten the union nuts slightly above the original position (as marked during disassembly, see Fig. 19).

**i** When fitting the motor fan cover, make sure that all of the screws are fitted again, the fan cover and the fan are undamaged, and the fan can rotate freely. To do this, perform a function test.

11. Function test  
Perform a function test.
  - Connect the suction and pressure sides to the pump.
  - Electrically connect the pump.
  - Test the functionality of the pump.
  - Disconnect the pump electrically and pneumatically again.
12. Pump integrated in application
  - Connect the suction and pressure sides to the pump.
  - Electrically connect the pump.
  - Test the functionality of the pump.

**i** To ensure the required gas tightness of the pump following servicing, a leak test is to be performed.



Risk of injury and poisoning from leaks

- Before recommissioning the pump, check the pump heads and pneumatic connections for leaks. Leaks may lead to poisoning, chemical burns or similar injuries.
-

## 8.4 Checking and replacing sprocket on coupling

- Requirements
- Disconnect the motor from the mains and ensure that it is voltage-free.
  - Allow the pump and the motor to cool.



Risk of burns from hot pump parts

The pump head or motor may still be hot after operation of the pump.

- Allow the pump to cool after operation.



Personal injury and/or property damage due to incorrect or improper transport of the motor

In the event of incorrect or improper transport, the motor can fall down, be damaged or injure persons.

- Use suitable auxiliary means if necessary (carrying strap, lifting gear, etc.).
- Where appropriate, wear suitable personal protective equipment (e.g., safety shoes, safety gloves).

Tools and material

Quantity	Tool/material
1	Feeler gauge 3 mm
1	Test adapter for coupling (see Chapter 9.2 <i>Accessories</i> )
1	Phillips screwdriver PH2
1	Size 13 open-end wrench with torque indicator

Tab.20

Spare parts

Spare part	Item designation	Quantity
Sprocket	(4)	1

Tab.21



*Fig.20 Lifting motor (depicted pump as an example)*

### Removing the motor

1. Attach the lifting gear (see figure for lifting motor) to the motor (3).
2. Loosen the nuts (1) that connect the motor (3) to the compressor housing (7).
3. Remove the ribbed disks (2).
4. Remove the motor (3) from the compressor housing (7).

### Checking the sprocket

**i** Observe the intervals for the periodic inspection of the coupling play (see operating instructions for the coupling).

1. Place the sprocket (4) on the motor-side coupling half (5).
2. Place the test adapter for the coupling on the motor-side coupling half (5).
3. Use the feeler gauge to check the coupling play (see operating instructions for the coupling).
4. Replace the sprocket (4) if there is too much coupling play (see operating instructions for the coupling).
5. Define the intervals for the periodic inspection of the coupling play (see operating instructions for the coupling).

### Replacing the sprocket

1. Remove the worn sprocket (4) from the motor-side (5) or pump-side coupling half (6).

2. Push the new sprocket (4) onto the pump-side coupling half (6).

**i** The sprocket is symmetric and can be pushed on in both possible positions.

### Installing the motor

1. Align the motor-side (5) and pump-side coupling halves (6) with one another.
2. Place the motor (3) on the compressor housing (7).

**i** Centering is performed using the four stud bolts (8) in the flange of the compressor housing (7) as well as the previously inserted sprocket.

3. Check whether the flange surface of the motor (3) and the flange surface of the compressor housing (7) lie properly on top of one another.
4. Push the 4 ribbed disks (2) onto the stud bolts (8).

**i** Make certain that the inner diameter of the ribbed disk (2) lies against the nut (1) and the outer diameter lies against the motor flange (3) (see Fig. 21).

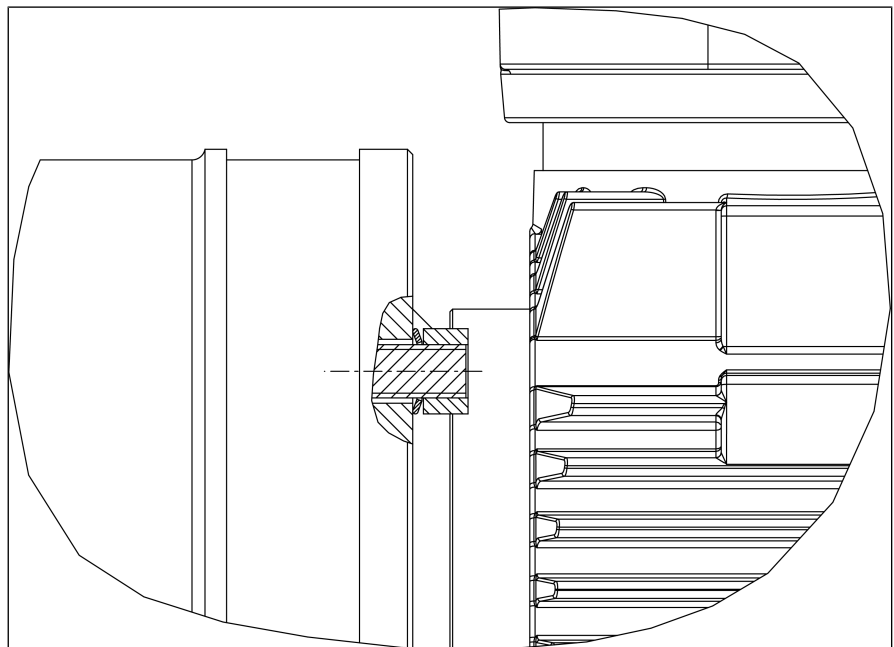


Fig.21 Alignment of the ribbed disk (2)

5. Turn the 4 nuts (1) on the stud bolts (8) and tighten them crosswise (tightening torque: 11 Nm).

### Inspecting pumps

1. Mark the motor fan cover (9) with a continuous line made with a felt-tip pen.
2. Loosen the fastening screws (10) of the motor fan cover (9) and remove the motor fan cover (9).
3. Check the pump for smooth running by turning the fan wheel.
4. Refit the motor fan cover (9) according to the marking.

5. Hand-tighten the fastening screws (**10**) again.



When fitting the motor fan cover, make sure that all of the screws are fitted again, the fan cover and the fan are undamaged, and the fan can rotate freely. To do this, perform a function test.

6. Function test

Perform a function test.

- Connect the suction and pressure sides to the pump.
- Electrically connect the pump.
- Test the functionality of the pump.
- Disconnect the pump electrically and pneumatically again.

7. Pump integrated in application

- Connect the suction and pressure sides to the pump.
- Electrically connect the pump.
- Test the functionality of the pump.

## 9 Spare parts and accessories

**i** To order spare parts and accessories, please contact your KNF sales partner or KNF Customer Service (contact data: see [www.knf.com](http://www.knf.com)).

### 9.1 Spare parts

#### Spare part set

A spare part set consists of:

Parts	Item number*	Quantity N630	Quantity N630.1.2/.3/.15
Diaphragm	(12)	1	2
Washer (only ST head)	(19)	1	2
Reed valves	(17)	2	4
Valve limiter	(18)	2	4
O-ring (D10 x 2.0)	(7)	2	4
O-ring (D38 x 3)	(2)	2	4
O-ring (105 x 3) (only .13)	(3), (5)	2	4
Slotted cheese head screw	(16)	2	4

Tab.22 \*See Chapter 8.3 Changing diaphragm and reed valves

Spare parts set	Order number
N630.1.2/.3ST.9E	321882
N630SP.9E	321874
N630ST.9E	321887
N630SP.13E	321875
N630ST.13E	321878
N630.1.2/.3SP.9E	321879
N630.1.2/.3SP.13E	321880
N630.1.2/.3ST.13E	321883
N630.15SP.9E	321879
N630.15ST.9E	321882
N630.15SP.13E	321880
N630.15ST.13E	321883

Tab.23

Spare part	Item number*	Order number
Sprocket for coupling	(4)	322095
Retainer plate screw	(10)	314279

Tab.24 \*see 8.4 Checking and replacing sprocket on coupling

## 9.2 Accessories

Accessories	Order number
Water cooling connection: N630	310064
N630.1.2	310443
N630.3	310443
N630.15	310443
Transport eyebolt	311535
Suction filter G1/4	316661
Wrench for retainer plate	321664
Test adapter for coupling	322184
Corrugated hose for pneumatic connection; Length 500 mm; G1/2"	333224
Corrugated hose for pneumatic connection; Length 500 mm; G1/2"	333226
3.1 Certified acc. to EN 10204	

Tab.25



## 10 Troubleshooting



Danger: electric shock can be life-threatening.

- All work on the pump may only be performed by an authorized specialist.
- Before working on the pump: Disconnect the pump from the power supply.
- Check and ensure that no voltage is present.

→ Allow the pump to cool before troubleshooting.

→ Check the pump (see following tables).

Pump not delivering	
Cause	Troubleshooting
Pump is not connected to the electrical power supply.	→ Connect the pump to electrical power.
No voltage in the electrical power supply.	→ Check the circuit breaker for the room and switch it on if necessary.
Pneumatic connections or lines are blocked.	→ Check the connections and lines. → Remove the blockage.
External valve is closed or filter clogged.	→ Check external valves and filters.
Condensate has collected in the pump head.	→ Separate the source of the condensate from the pump. → Flush the pump with air at atmospheric pressure for a few minutes (if necessary for safety reasons: with an inert gas). → Install the pump at the highest location in the system.
Thermal switch or triggering device for PTC thermistor sensor of the motor has tripped.	→ Disconnect the pump from the electrical mains network. → Let the pump cool down. → Determine the cause of the overheating and eliminate the cause.
Diaphragm and valves are worn or defective.	→ Replace diaphragm and valves (see Chapter 8 <i>Servicing</i> ).

Tab.26

<b>Flow rate, pressure or vacuum too low</b>	
<b>The pump does not reach the performance stated in the technical data or data sheet.</b>	
<b>Cause</b>	<b>Troubleshooting</b>
Condensate has collected in the pump head.	<ul style="list-style-type: none"> <li>→ Separate the source of the condensate from the pump.</li> <li>→ Flush the pump with air at atmospheric pressure for a few minutes (if necessary for safety reasons: with an inert gas).</li> <li>→ Install the pump at the highest location in the system.</li> </ul>
There is overpressure on the pressure side and at the same time vacuum or pressure above atmospheric pressure on the suction side.	<ul style="list-style-type: none"> <li>→ Change the pneumatic conditions.</li> </ul>
Pneumatic lines or connection parts have insufficient cross-sections or are constricted.	<ul style="list-style-type: none"> <li>→ Disconnect the pump from the system to determine the output values.</li> <li>→ Eliminate any constriction (e.g. valve).</li> <li>→ Use lines or connection parts with a larger cross-section if necessary.</li> </ul>
Leaks occur at pneumatic connections, lines or pump head.	<ul style="list-style-type: none"> <li>→ Eliminate the leaks.</li> </ul>
Pneumatic connections or lines are partially or completely blocked.	<ul style="list-style-type: none"> <li>→ Check the pneumatic connections and lines.</li> <li>→ Remove any parts or particles that are causing blockages.</li> </ul>
Head parts are soiled.	<ul style="list-style-type: none"> <li>→ Clean the head components.</li> </ul>
Working diaphragm broken	<ul style="list-style-type: none"> <li>→ Stop the pump immediately.</li> <li>→ Change the diaphragm (see 8 Servicing).</li> </ul>
Diaphragm and valves are worn or defective.	<ul style="list-style-type: none"> <li>→ Replace diaphragm and valves (see Chapter 8 Servicing).</li> </ul>

Tab.27

<b>Pump exhibiting changed running noises and vibrations</b>	
<b>Cause</b>	<b>Troubleshooting</b>
Pump bearing worn or defective.	<ul style="list-style-type: none"> <li>→ Determine the cause.</li> <li>→ Contact KNF Customer Service.</li> </ul>
Motor worn or defective.	See operating instructions for motor.
Coupling worn or defective.	<ul style="list-style-type: none"> <li>→ Contact KNF Customer Service.</li> </ul>

Tab.28

**Fault cannot be rectified**

If you are unable to identify any of the specified causes, send the pump to KNF Customer Service (contact data: see [www.knf.com](http://www.knf.com)).

1. Flush the pump with air for a few minutes (if necessary for safety reasons: with inert gas) at atmospheric pressure to free the pump head of dangerous or aggressive gases (see Chapter 8.2.1 *Flushing the pump*).
2. Clean the pump (see Chapter 8.2.2 *Cleaning the pump*).
3. Send the pump together with completed Health and Safety Clearance and Decontamination Form to KNF, specifying the pumped medium.

## 11 Returns

### Preparing for return

1. Flush the pump with air for a few minutes (if necessary for safety reasons: with inert gas) at atmospheric pressure to free the pump head of dangerous or aggressive gases (see Chapter 8.2.1 *Flushing the pump*).

**i** Please contact your KNF sales partner if the pump cannot be flushed due to damage.

2. Remove the pump.
3. Clean the pump (see Chapter 8.2.2 *Cleaning the pump*).
4. Send the pump together with the completed Health and Safety Clearance and Decontamination Form to KNF, stating the nature of the transferred medium.
5. Pack the device securely to prevent further damage to the product. If necessary, request original packaging for a fee.

### Returns

KNF shall undertake to repair the pump only under the condition that the customer presents a certificate regarding the medium that is pumped and the cleaning of the pump. In this case too, old devices can be returned. Please follow the instructions at [knf.com/repairs here](https://www.knf.com/repairs).

Contact your KNF sales partner directly if you require additional support for your return service.

## 12 Appendix

### 12.1 Motor

**For further information, see also**

- Betriebsanleitung Drehstrommotor.pdf
- CE-Erklärung Drehstrommotor.pdf

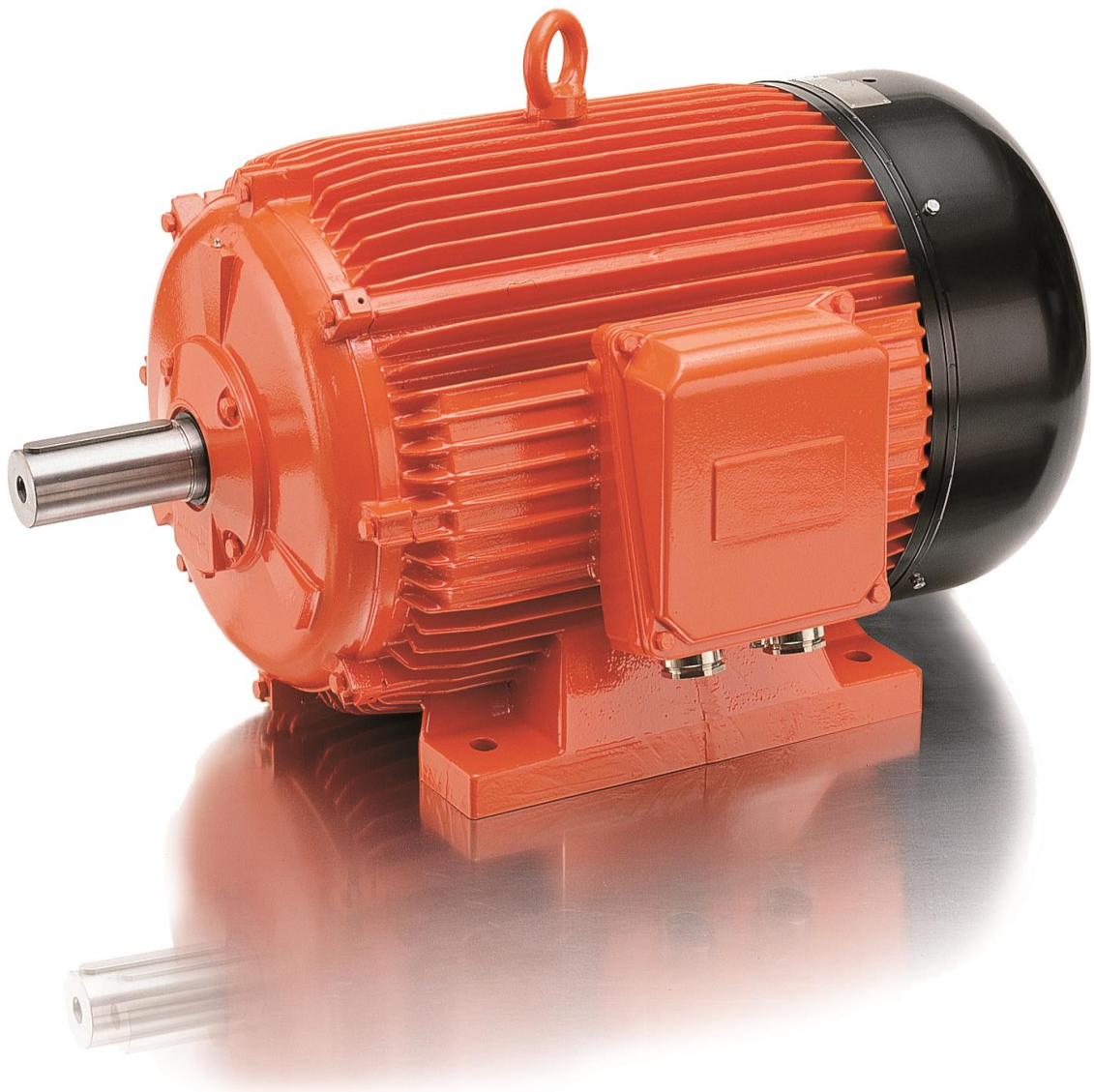
---

# Operating manual for three-phase motors (IE2 + IE3 in accordance with IEC 60034-30-1) Frame size HEFIE2 / IE3 56L/.. - HEFIE2 / IE3 450L/..

---

Issue:2.0 - 07/21

---



## **EMOD Motoren GmbH**

### **Electric motor factory**

Zur Kuppe 1

36364 Bad Salzschlirf

Germany

Phone: +49 6648 51-0

Fax: +49 6648 51-143

[info@emod-motoren.de](mailto:info@emod-motoren.de)

[www.emod-motoren.de](http://www.emod-motoren.de)


---

## Table of contents

<b>1</b>	<b>General information</b>	<b>4</b>
1.1	Area of application	4
1.2	Explanation of the labels used	4
1.3	List of safety and installation notes	5
1.4	Limitation of liability	5
1.5	Safety	6
<b>2</b>	<b>Transportation and storage</b>	<b>6</b>
2.1	Transportation	6
2.2	Storage	6
<b>3</b>	<b>Installation and commissioning</b>	<b>7</b>
3.1	Positioning	7
3.1.1	Location	7
3.2	Mountings for motors	7
3.3	Condensation drain holes	7
3.4	Balancing	7
3.5	Insulation resistance check	7
3.6	Electrical connection	8
3.7	Motor protection	8
3.7.1	Thermistor	8
3.8	Commissioning	8
<b>4</b>	<b>Maintenance</b>	<b>9</b>
4.1	Inspection	9
4.2	Bearings	9
4.2.1	Bearings with permanent lubrication	9
4.2.2	Bearings with re-lubrication	9
4.3	Repair	10
4.3.1	Joint sealing	10
<b>5</b>	<b>Spare parts</b>	<b>10</b>
<b>6</b>	<b>Final decommissioning (disassembly, recycling, disposal)</b>	<b>10</b>
<b>7</b>	<b>Appendix</b>	<b>11</b>
<b>8</b>	<b>Declaration of conformity</b>	<b>14</b>
<b>9</b>	<b>Documents provided</b>	<b>15</b>











# 1 General information

Note	
	<p><b>The safety instructions contained in this operating manual must be observed!</b></p> <p>Special designs and structural variants may differ from the basic type in terms of technical details. If there are any uncertainties, we strongly advise you to contact EMOD Motoren GmbH. Always state the motor type and motor number.</p>

## 1.1 Area of application

The motors can be used in accordance with the protection class stamped on the rating plate, the type of construction intended by the manufacturer according to the catalogue or the customer's information. When using custom motors, the information in the quote and order confirmation also applies.

## 1.2 Explanation of the labels used

Symbol	Meaning
 <b>Danger</b>	Indicates an immediate danger to life and health. Results in death or serious injury if not prevented.
 <b>Warning</b>	Indicates a possible danger to life and health. May result in death or serious injury if not prevented
 <b>Caution</b>	Indicates a possible danger to life and health. May result in slight or minor injuries if not prevented.
<b>Note</b>	Indicates a potentially harmful situation. The system or things in the surrounding area may be damaged if not prevented.
	Warning of a danger (general). The type of danger is specified by the accompanying warning text.
	Warning of dangerous electrical voltage and its effect.
	Warning of hot surface.
	Warning of suspended load.
	Warning of explosive atmosphere.

## 1.3 List of safety and installation notes



### Caution

Electric motors have dangerous, live and rotating parts. All work during connection, commissioning, maintenance and disposal may only be carried out by qualified professionals. (Observe EN 50110-1 and IEC 60364) Before beginning any work, any in particular before opening covers, the drive must be isolated according to regulations. In addition to the main circuit, any auxiliary circuits which may be present must be taken into account here.

### Compliance with the 5 safety rules:

- Isolate
- Secure against being switched on again
- Establish the absence of voltage
- Earth and short-circuit
- Cover or block off adjacent live parts

The measures specified above may only be withdrawn after the work has been completed and the drive is fully installed. Improper conduct may result in injuries and property damage. The applicable national, local and system-specific provisions and requirements must be observed and complied with.



### Warning

The proper and safe operation of the products assumes proper transportation, proper storage, positioning and installation, and careful operation and maintenance.



### Caution

The surfaces of the motors may be  $\geq 55$  °C during operation! The hot surfaces should not be touched.



### Note

Products with a weight of  $\geq 20$  kg should only be moved and lifted with appropriate lifting devices.

## 1.4 Limitation of liability

All information and instructions in this manual have been put together taking the applicable standards and regulations, the state of the art and our many years of knowledge and experience into account.

### The manufacturer assumes no liability for damage resulting from:

- Failure to observe the manual
- Improper use
- Use of untrained personnel
- Unauthorised modifications
- Technical modifications
- Use of unapproved spare parts

The obligations agreed in the supply contract, the general terms and conditions, as well as the manufacturer's delivery conditions, and the applicable statutory provisions at the time of signing of the contract apply.

We reserve the right to make technical changes within the context of the performance characteristics and further development.


## 1.5 Safety

<b>⚠ Warning</b>	
	<b>Installation, commissioning and maintenance may only be carried out by personnel with suitable training and qualifications.</b>

In this respect, special attention should be paid to:

- the technical data and information concerning the proper use (commissioning, environmental and operational conditions), which are stated in the catalogue, the operation manual, the rating plates and the additional product documentation,
- the relevant construction and accident prevention regulations,
- the correct use of tools, lifting and transport devices,
- the implementation of protection measures against unintentional contact when installed to prevent endangerment of persons due to moving parts,
- the use of personal protective equipment.

## 2 Transportation and storage

<b>⚠ Warning</b>	
	<p><b>Danger due to heavy loads</b> severe injuries and property damage possible</p> <ul style="list-style-type: none"> <li>▶ Products with a weight of <math>\geq 20</math> kg should only be moved and lifted with appropriate lifting devices</li> <li>▶ Only use the intended lifting eyes for transportation of the fully assembled drive unit</li> <li>▶ Do not lift the complete drive unit at the motor transport eyes</li> </ul>

### 2.1 Transportation

The motors must be inspected for transport damage upon receipt. Any possible damage should be documented in detail in writing.

Motors with cylindrical roller bearings are protected against bearing damage by transport protection. The transport protection must be removed before raising of the transfer elements and commissioning.


### 2.2 Storage

The storage location should be as dry, clean, stable in temperature and free from vibrations as possible.

So that the lubrication film in the motor bearings and the sealing systems is not stripped off, the motor shaft should be turned a few times by hand, e.g. at monthly intervals, during long storage periods.

The motor rolling bearings should be re-greased or replaced if the period between delivery and commissioning is more than 4 years. In unfavourable storage conditions, this period is significantly reduced.

## 3 Installation and commissioning

<b>⚠ Danger</b>	
	<p><b>Installations and work may only be carried out with the device deenergised (separated from the mains) and the motor shut down.</b></p> <p>Death, cardiac arrhythmia</p> <p>► Observe the 5 safety rules, see chapter List of safety and installation notes on page 5</p>

### 3.1 Positioning

#### 3.1.1 Location

The motors should be installed/fitted while easily accessible and at an ambient or coolant temperature +60°C. Altitude of site max. 1000 m (above sea level).

The cooling air should be able to flow in and out unhindered and should not be directly sucked in again. The air inlets and outlets, as well as the channels between the cooling ribs, should be protected against dust and dirt and regularly cleaned.

If the product is installed with the shaft end upwards or downwards, it should be guaranteed that no water can penetrate the upper bearing.

### 3.2 Mountings for motors

Foot-mounting motors must be positioned and mounted on an even, vibration-free surface. All mounting feet must lie flat; place thin sheets underneath for levelling if necessary.


For flange motors, care must be taken to ensure the axial run-out of the counterflange. Axial run-out errors may result in bearing damage and/or the failure of sealing systems.

### 3.3 Condensation drain holes

Care must be taken to ensure that the available condensation drain holes are located at the lowest point of the motor after installation and are kept free from dirt.

Closed condensation drain holes (if present) should be opened from time to time and closed again before each start-up.

### 3.4 Balancing

<b>⚠ Danger</b>	
	<p><b>Rotating parts</b></p> <p>Severe injuries</p> <p>► Secure feather keys against being ejected</p>

The balancing type is indicated on the shaft end face of the motor shafts in accordance with DIN ISO 8821:

- Balancing with a half key "H"
- Balancing with a full key "F"

Observe the appropriate balancing type when installing the drive element!

### 3.5 Insulation resistance check

Before commissioning of the motor, or after a longer storage period or downtime (more than 6 months), the insulation resistance of the winding should be checked. Check the winding against mass by means of an insulation resistance measuring device (max. DC voltage 500 V). If the minimum

insulation resistance at a winding temperature of 25 °C is smaller than 30 MΩ, or smaller than 1 MΩ at a winding temperature of 75 °C, the motor winding should be dried until the required minimum insulation resistance is reached. The winding temperature should not exceed 80 °C in this regard! Loosen the bearing plate, so that an air exchange can be carried out with closed motors. After the winding has been dried out, the bearing needs to be serviced (see corresponding chapter!).

### 3.6 Electrical connection

The mains voltage and frequency must match the data on the rating plate. Voltage differences of ±5% and/or frequency differences of ±2% are permissible as described in sector A in accordance with EN 60034-1. We ask that you note this when connecting the motors.

A connection diagram is enclosed with each motor upon delivery. Connection of the motor and the control system, as well as overload protection and earthing, must be done in accordance with the VDE and installation instructions and the EVU provisions.

The direction of rotation of the shaft end on the output side must be checked before commissioning. Reversal of the direction of rotation is possible by swapping any two voltage phases.

The insertion parts intended for tension relief or as anti-rotation protection for the supply lines must be used properly. Seal any openings which are not required.


Tightening torques for terminal board connection screw connections (see page 11)

### 3.7 Motor protection

#### 3.7.1 Thermistor

Connect the built-in thermistor to the tripping device in accordance with the connection diagram in the terminal box cover or provided with the motor. Only carry out any continuity tests which may be required with a measuring bridge (max. 2.5 V).

### 3.8 Commissioning

<b>⚠ Caution</b>	
	<p><b>The surface of the drive may reach high temperatures during operation.</b></p> <p>Danger of burns</p> <ul style="list-style-type: none"> <li>▶ Secure hot surfaces against operation or unintentional contact. To this end, attach covers or warning according to the regulations.</li> <li>▶ Allow the motor to cool sufficiently before commencing any work.</li> </ul>

#### Installation of the transmission elements

Only use appropriate tools and devices for fitting and removing the transmission elements. No pressure or impacts may be transmitted to the motor bearings.

#### Alignment during coupling operation

During coupling operation, the shafts must be axially and radially aligned against each other. Adjustment of the air between the coupling halves must be done in accordance with the coupling manufacturer's specifications.


Use only couplings which are flexible in terms of centre offset, angle, length and torsion. Rigid couplings are not permitted and may only be used in exceptional cases after consultation with the manufacturer.

#### Before commissioning, the following at a minimum must be checked:

- The runners can be turned without scraping,
- The motor is properly aligned and installed,
- The drive elements have the correct settings,
- All electrical connections, connection elements and mounting screws are properly tightened and implemented,

- Additional devices which are present (e.g. brakes) are functional,
- The coolant supply is not restricted,
- Measures have been taken to protect against contact with moving and live parts.

## 4 Maintenance

<b>⚠ Danger</b>	
	<p><b>Installations and work may only be carried out with the device deenergised (separated from the mains) and the motor shut down.</b></p> <p>Death, cardiac arrhythmia</p> <p>▶ Observe the 5 safety rules, see chapter List of safety and installation notes on page 5</p>

### 4.1 Inspection

Depending on the level of the contamination, the entire surfaces of the motors should be cleaned. In most cases, the first inspection should be carried out after approx. 500 operating hours, after 1 year at the latest. Follow-up inspections should be carried out within appropriate intervals based on application conditions, for instance re-lubrication or re-greasing, however at least once a year. Accumulating dust should also be removed every now and then.

#### During inspection, it should be checked whether

- the technical data is observed in accordance with the rating plate,
- there are no leaks (oil, grease, water),
- the operating noises of the bearings as well as the smooth running of the motor have not deteriorated,
- all mounting screws for electrical and mechanical connections are tight,
- the connection of cable screws on the terminal box is fixed properly. If the cable screws are loose, the strain relief (if present) should be loosened and then, the cable screw should be tightened until the cable can no longer move. Tightening the cable screw too firmly will cause constrictions in the cable and should absolutely be prevented. After successful tightening, the strain relief (if present) should be refastened.
- the alignment of the motor is within the approved tolerances during coupling operation.
- any accumulated dust is removed.

### 4.2 Bearings

#### 4.2.1 Bearings with permanent lubrication

The motor bearings with permanent lubrication are maintenance-free under normal operating conditions for 10000 to 20000 operating hours, but not longer than 3 years.

#### 4.2.2 Bearings with re-lubrication

For motors with a re-lubrication device, the re-lubrication interval, grease quantity and grease quality are specified on an additional label on the motor.

The prescribed lubrication intervals are shorter under extreme loads and/or at increased temperatures. If the number of operating hours specified on the lubrication plate is not reached within 3 years, then re-lubrication should be carried out early. Re-lubrication should be done with the shaft turning.

Lubricants see page 11

After approx. 15000 operating hours, or 3 years at the longest, the grease should be replaced owing to ageing and excessive lubrication of the bearings. Here, inspect the bearings and replace if necessary.

**Mixing of different grease types must be avoided!**



#### Caution

When re-lubricating the bearings, the grease drain screws on the DE side and NDE side bearing plate, where present, must always be opened!



#### Cleaning intervals

The regular removal of old grease is necessary in order not to negatively affect the expected service life of the bearings.

### Note



It must be ensured that the running tracks of the bearing and the rolling elements are not damaged during the cleaning process. Do not use metal tools as aids. Make sure there is no dust or dirt near the rolling element or in the rolling element!

This causes a drastic shortening in service life!

For further instructions, see chapter Repair

## 4.3 Repair

Spare parts lists and regular drawings do not contain the types and dimensions of the parts. Therefore, the type and dimensions of the concerned parts should be determined during disassembly and they should be marked for assembly.

### 4.3.1 Joint sealing

For motors with protection class IP56 or higher (see rating plate), the part joints between the motor housing and the bearing plates should be sealed with a suitable, non-hardening sealing mass.

## 5 Spare parts

For spare parts orders, the motor type and motor number (details can be found on the rating plate) must always be specified in addition to the exact part designation.

With the exception of standardised commercially available and equivalent parts, e.g. ball bearings, only original parts may be used.

This applies in particular for seals and terminals.

## 6 Final decommissioning (disassembly, recycling, disposal)

Always disassemble motors in such a way that environmentally-friendly recycling and disposal of the motor components is possible.

When recycling and disposing of the disassembled motor components, always observe the legal regulations and provisions applicable at the time of the final decommissioning!

## 7 Appendix

Operating conditions	Insulation class	Roller bearing grease / area of application
Normal	F	High-temperature and long-term lubricant -40 °C to +180 °C
High temperatures, extreme operating conditions	H	High-temperature and long-term lubricant -20 °C to +180 °C
Low temperatures	F	Low-temperature lubricant -50 °C to +150 °C

**Table 1: Lubricants**

Thread $\varnothing$		M4	M5	M6	M8	M10	M12	M16
Tightening torque	min.	0.8	1.8	2.7	5.5	9.0	14.0	27.0
	max.	1.2	2.5	4.0	8.0	13.0	20.0	40.0

**Table 2: Tightening torques for terminal board connection screw connections**

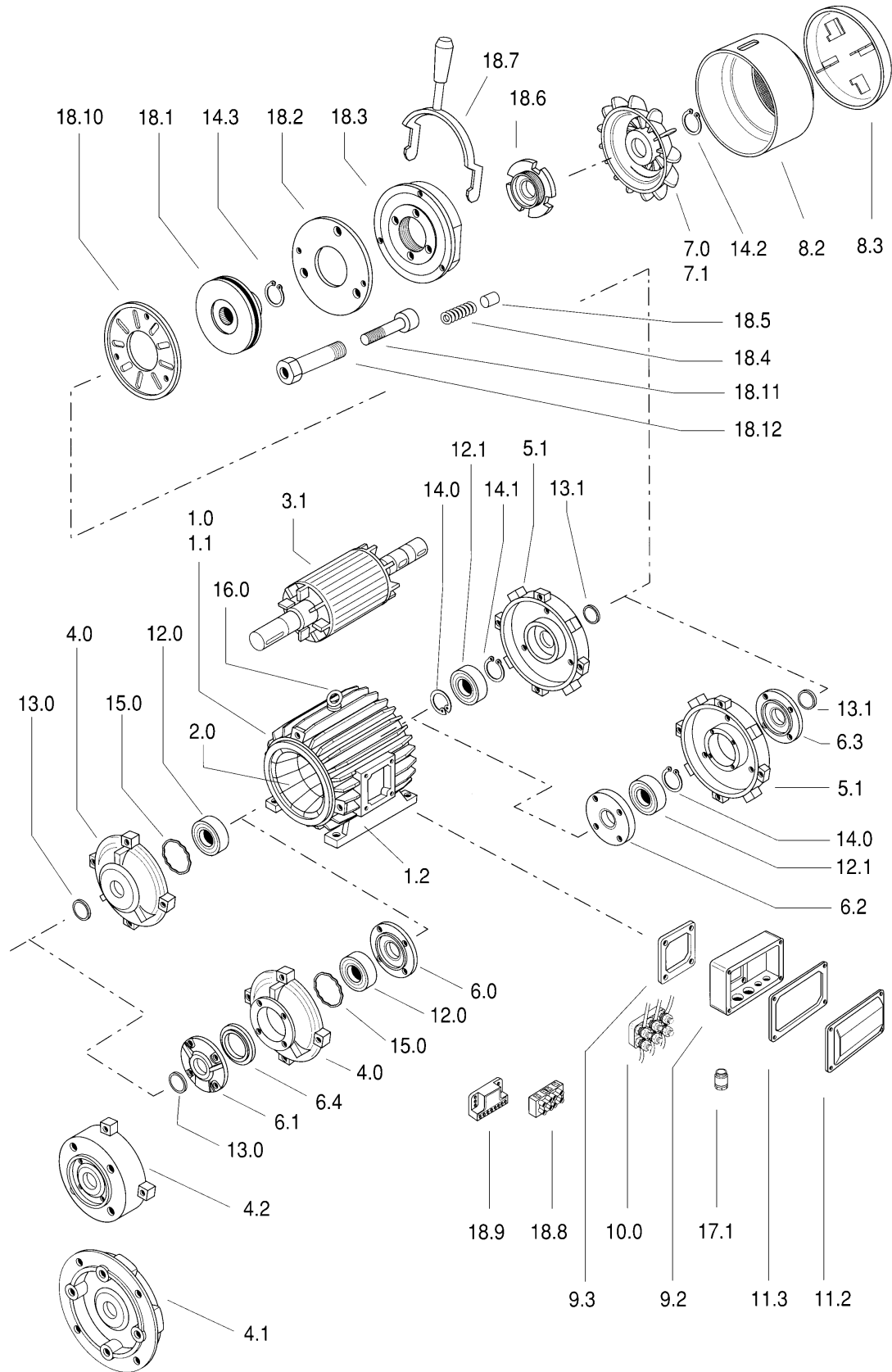
The tightening torques apply provided no other values are specified!



Part no.	Description
1.0	Housing (IMB3)
1.1	Housing without feet (IMB5 / IMB14)
1.2	Motor feet
2.0	Stator package with winding
3.1	Rotor with shaft
4.0	Bearing plate AS (IMB3)
4.1	Flange bearing plate (IMB5)
4.2	Flange bearing plate (IMB14)
5.1	Bearing plate BS
6.0	Bearing cover ASi
6.1	Bearing cover ASa
6.2	Bearing cover BSi
6.3	Bearing cover BSa
6.4	Centrifugal disc
7.0	Fan (thermoplastic)
7.1	Fan (aluminium alloy)
8.2	Fan cover
8.3	Protective roof (IMV1)
9.2	Terminal box frame
9.3	Terminal box frame sealing
10.0	Terminal board, complete
11.2	Terminal box cover
11.3	Terminal box cover sealing
12.0	Rolling bearing AS
12.1	Rolling bearing BS
13.0	Shaft seal ring
13.1	Shaft seal ring
14.0	Securing ring (rolling bearing)
14.1	Securing ring (rolling bearing)
14.2	Securing ring (fan)
14.3	Securing ring (brake)
15.0	Spring plate
16.0	Ring bolt
17.1	Cable screw
18.0	Brake, complete
18.1	Brake disc
18.2	Armature plate
18.3	Magnet part
18.4	Compression spring
18.5	Pressure piece
18.6	Adjustment ring
18.7	Manual ventilation, complete
18.8	Terminal strip
18.9	Rectifier
18.10	Friction plate
18.11	Cylinder screw
18.12	Re-adjustment sleeve

**Table 3: Spare parts**

Order example:      Frame size:            160L  
                                  Motor no.:            3574507  
                                  Part:                    3.1 rotor with shaft



## 8 Declaration of conformity

### EC Declaration of conformity

Document no./month/year : 1.51.821.010/06.22  
Manufacturer : EMOD Motoren GmbH  
Address : Zur Kuppe 1  
D-36364 Bad Salzschlirf  
Product description : Three-phase motors  
Type (frame size) : HEF IE2 56L/.. - HEF IE2 450L/..  
HEF IE3 56L/.. - HEF IE3 450L/..

**Three-phase motors in accordance with Directive 2009/125/EG, Regulation (EU) No. 2019/1781 and Regulation (EU) No. 4/2014**

**The designated product is in compliance with the stipulations set forth in the following European directives:**

#### **2014/35/EU**

**Directive 2014/35/EU of the European Parliament and the Council on the harmonisation of the laws of the Member States relating to the making available on the market of electrical equipment designed for use within certain voltage limits (recast)**


#### **2014/30/EU**

**Directive 2014/30/EU of the European Parliament and the Council on the harmonisation of the laws of the Member States relating to electromagnetic compatibility (recast)**

**The designated product has been developed and produced in compliance with the following standards:**

EN 60034-1: 2010 + Cor.: 2010	EN IEC 60034-5: 2020	EN 60034-6: 1993
EN 60034-9: 2005 + A1: 2007	EN IEC 61000-6-1: 2019	EN IEC 61000-6-2: 2019
EN IEC 61000-6-3: 2021	EN IEC 61000-6-4: 2019	EN 60204-1: 2018
EN IEC 60034-30-1: 2014		

#### **First establishment of the CE certification: 2010**

Issuer: : EMOD Motoren GmbH  
Place, date : Bad Salzschlirf, 28.06.2022  
Management : 

Roland Odenwald

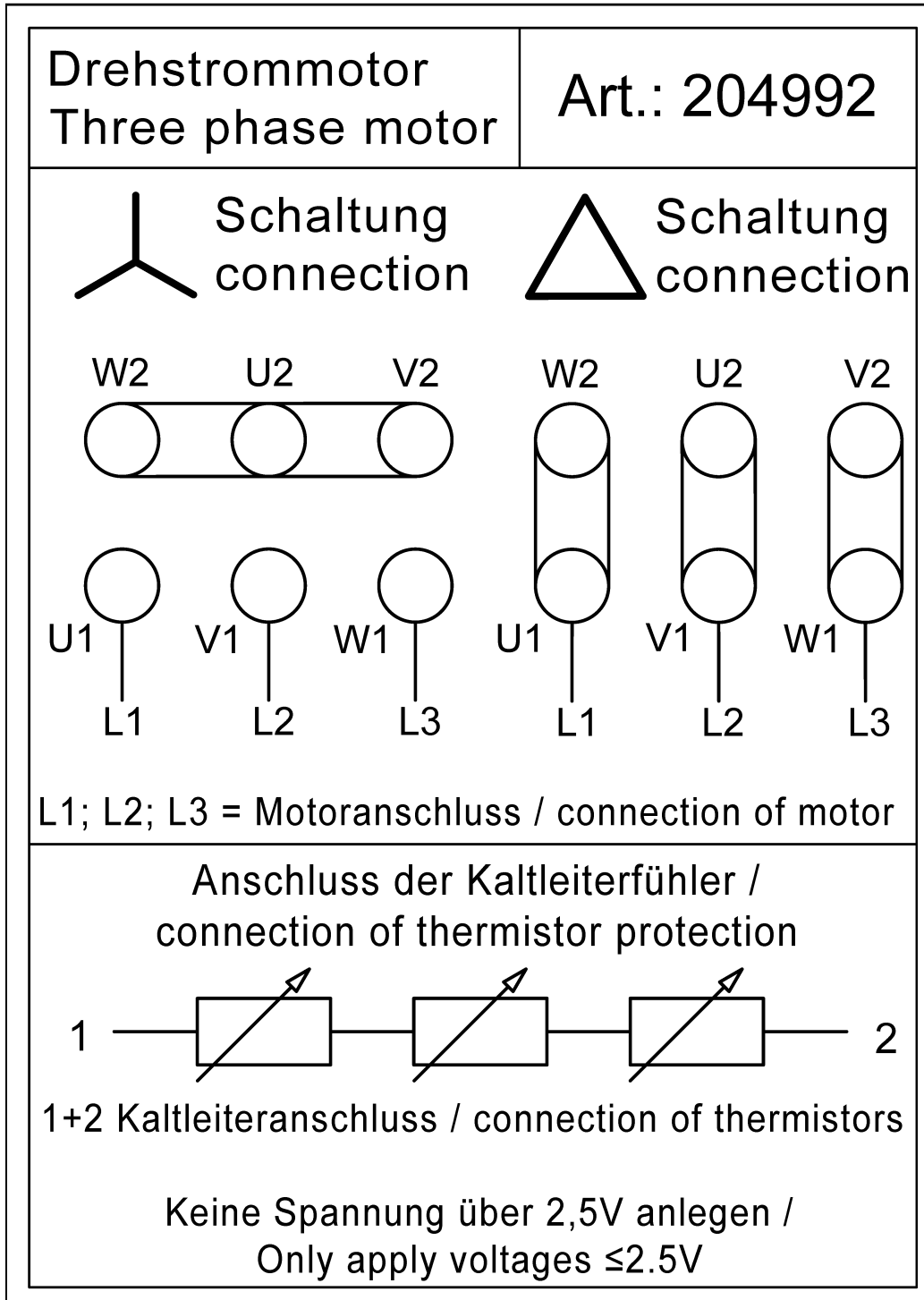
This declaration certifies compliance with the above-mentioned directives and standards, but is no assurance of characteristics in the sense of the product liability.

The safety instructions in the operating manual supplied must be observed.

## 9 Documents provided

- [Circuit diagram](#)

Anschlussschaltbild(er)  
Connection diagram(s)



Hausanschrift/ address:  
Zur Kuppe 1  
D- 36364 Bad Salzschlirf

Tel. 06648 51-0  
Fax. 06648 51-143  
[info@emod-motoren.de](mailto:info@emod-motoren.de)  
[www.emod-motoren.de](http://www.emod-motoren.de)

## EC Declaration of conformity

Document no./month/year : 1.51.821.010/06.22  
Manufacturer : EMOD Motoren GmbH  
Address : Zur Kuppe 1  
D-36364 Bad Salzschlirf  
Product description : Three-phase motors  
Type (frame size) : HEF IE2 56L.. - HEF IE2 450L..  
HEF IE3 56L.. - HEF IE3 450L..

**Three-phase motors in accordance with Directive 2009/125/EG, Regulation (EU) No. 2019/1781 and Regulation (EU) No. 4/2014**

**The designated product is in compliance with the stipulations set forth in the following European directives:**

### **2014/35/EU**

**Directive 2014/35/EU of the European Parliament and the Council on the harmonisation of the laws of the Member States relating to the making available on the market of electrical equipment designed for use within certain voltage limits (recast)**


### **2014/30/EU**

**Directive 2014/30/EU of the European Parliament and the Council on the harmonisation of the laws of the Member States relating to electromagnetic compatibility (recast)**

**The designated product has been developed and produced in compliance with the following standards:**

EN 60034-1: 2010 + Cor.: 2010	EN IEC 60034-5: 2020	EN 60034-6: 1993
EN 60034-9: 2005 + A1: 2007	EN IEC 61000-6-1: 2019	EN IEC 61000-6-2: 2019
EN IEC 61000-6-3: 2021	EN IEC 61000-6-4: 2019	EN 60204-1: 2018
EN IEC 60034-30-1: 2014		

**First establishment of the CE certification: 2010**

Issuer: : EMOD Motoren GmbH  
Place, date : Bad Salzschlirf, 28.06.2022  
Management : 

Roland Odenwald

This declaration certifies compliance with the above-mentioned directives and standards, but is no assurance of characteristics in the sense of the product liability.

The safety instructions in the operating manual supplied must be observed.



**KNF worldwide**

You can find our local KNF partners at: [www.knf.com](http://www.knf.com)