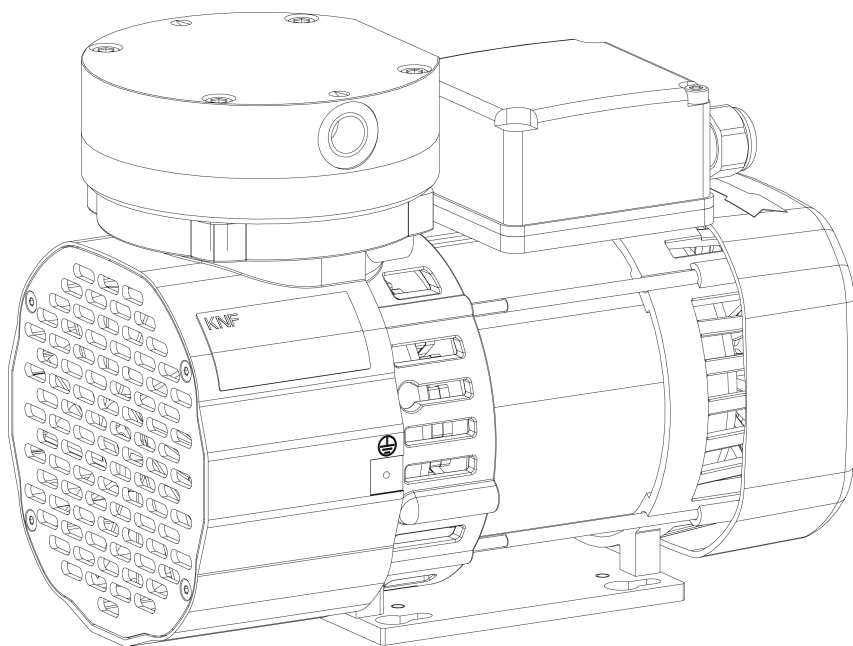


**OEM**

**N922S\_E IP20**

**TRANSLATION OF ORIGINAL  
OPERATING AND INSTALLATION  
INSTRUCTION  
ENGLISH**

# DIAPHRAGM PUMP



**Notice!**

Before operating the pump and accessories, read and observe the operating and installation instructions as well as the safety information!

# Table of contents

- 1 About this document ..... 3
  - 1.1 Using the operating and installation instructions..... 3
  - 1.2 Exclusion of liability..... 3
  - 1.3 Symbols and markings..... 4
- 2 Safety ..... 6
  - 2.1 Personnel and target group ..... 6
  - 2.2 Responsibility of the operator ..... 7
  - 2.3 Working in a safety conscious manner ..... 7
  - 2.4 Operating conditions ..... 8
  - 2.5 Media ..... 8
  - 2.6 Use..... 9
  - 2.7 Directives and standards ..... 10
  - 2.8 Customer service and repair..... 11
  - 2.9 Disposal ..... 11
- 3 Technical data..... 12
  - 3.1 Technical data..... 12
- 4 Product description ..... 16
- 5 Transport..... 18
  - General ..... 18
- 6 Installation and connection..... 20
  - 6.1 Installing the pump..... 20
  - 6.2 Electrical connection ..... 23
  - 6.3 Pneumatic connection..... 27
- 7 Operation ..... 29
  - 7.1 General ..... 29
  - 7.2 Information on switching the pump on and off ..... 32
- 8 Servicing ..... 33
  - 8.1 Servicing schedule..... 33
  - 8.2 Cleaning..... 34
  - 8.3 Changing the diaphragm, reed valve and valve limiter (ST design)  
..... 35
- 9 Spare parts and accessories..... 41
  - 9.1 Spare parts ..... 41
  - 9.2 Accessories..... 41
- 10 Troubleshooting ..... 42
- 11 Returns..... 46

# 1 About this document

## 1.1 Using the operating and installation instructions

The operating and installation instructions are part of the pump.

- In the event of uncertainties with regard to the content of the operating and installation instructions, please contact the manufacturer (contact data: see [www.knf.com](http://www.knf.com)). Please have the type and serial number of the pump ready.
- Read the operating and installation instructions before you commission the pump.
- Give the operating and installation instructions only completely and unchanged to the next owner.
- Keep the operating and installation instructions within reach at all times.

**Project pumps** For customer-specific project pumps (pump models that begin with "PJ" or "PM"), there may be deviations from these operating and installation instructions.

- For project pumps, also observe the agreed specifications.

**Optional contents** Project-specific options may be included in the operating and assembly instructions. These are marked with "Optional". It is also possible that project-specific deviations are not included in the operating and assembly instructions.

## 1.2 Exclusion of liability

The manufacturer assumes no liability for damages and malfunctions resulting from failure to observe the operating and installation instructions.

The manufacturer assumes no liability for damages and malfunctions resulting from changes or modifications to the device and improper handling.

The manufacturer assumes no liability for damages and malfunctions resulting from impermissible spare parts and accessories.

## 1.3 Symbols and markings

### Warning notice



A notice that warns you of danger is located here.

Possible consequences of a failure to observe the warning notice are specified here. The signal word, e.g., Warning, indicates the danger level.

→ Measures for avoiding the danger and its consequences are specified here.

### Danger levels

Signal word	Meaning	Consequences if not observed
DANGER	warns of immediate danger	Death or serious injury or serious damage will result.
WARNING	warns of possible danger	Death, serious injury or serious damage is possible.
CAUTION	warns of a possibly dangerous situation	Minor injury or damage is possible.
NOTICE	Warns of possible damage	Damage is possible.

Tab. 1: Danger levels








### Other notices and symbols

→ An activity to be carried out is specified here (a step).

1. The first step of an activity to be carried out is specified here.  
Other sequentially numbered steps follow.

**i** This symbol indicates important information.

**Explanation of pictograms**

Pictogram	Meaning
	General warning symbol
	Warning of hot surface
	Warning of electrical voltage
	Warning of poisonous substances
	Warning of hand injuries through crushing
	Observe the operating instructions
	General mandatory sign

*Tab.2: Explanation of pictograms*

## 2 Safety

**i** Observe the safety notices in Chapters 6 *Installation and connection* [▶ 20] and 7 *Operation* [▶ 29].

### 2.1 Personnel and target group

**Personnel** Make sure that only specially trained and instructed personnel work on the pumps. This applies, in particular, to mounting, connection and servicing work.

Make sure that the personnel have read and understood the operating instructions, particularly the chapter on safety.

**Target group**

Target group	Definition
User	Employee
Specialized personnel	Specialized personnel are personnel who - have relevant professional training in the field covered in the particular section of text; - have current knowledge of the field covered in the particular section of text.

Tab.3: Target group

**Who-does-what matrix**

Lifecycle phase	User	Specialized personnel
Transport		X
Mounting		X
Connection		X
Commissioning	X	X
Operation	X	X
Servicing		X
Troubleshooting		X
Disposal		X

Tab.4: Who-does-what matrix

## 2.2 Responsibility of the operator

The pumps are produced in accordance with the generally recognized rules of engineering, as well as the occupational health, safety and accident prevention regulations. Nevertheless, dangers can arise during their use that lead to injuries to the user or third parties or to damage to the pump or other property.

Only use the pumps in perfect technical condition, for their intended use, safely and with an awareness of the dangers and in observation of the operating and installation instructions.

The components that are to be connected to the pumps must be designed according to the pneumatic data of the pumps.

When connecting the pumps to the electrical power, observe the corresponding safety rules.

Make sure that no hazardous situation, physical harm or impairment of the pump can occur.

Operating parameters

Only operate and install the pump under the operating parameters and operating conditions described in Chapters 2.4 *Operating conditions* [▶ 8] and 3 *Technical data* [▶ 12].

## 2.3 Working in a safety conscious manner

Observe the regulations on accident prevention and safety during all work on the pumps and during operation.

Avoid contact with the pump heads and housing parts because the pump heats up during operation.

When working on the pump, make sure that the pump is disconnected from the power and free of voltage.

When connecting the pump to the power supply, observe the corresponding safety rules.

Ensure that no hazards arise from gas flowing when gas connections are open, from the effects of noise or from hot, corrosive, dangerous and environmentally hazardous gases.

Ensure that the pump installation is EMC compliant such that no hazardous situations can occur.

## 2.4 Operating conditions

Only use the pump in perfect technical condition, for its intended purpose, safely and with an awareness of the dangers and in observation of the operating instructions.

Only install and operate the pumps in accordance with the operating parameters and conditions described in Chapter 3 *Technical data* [▶ 12].

Only pumps that are fully assembled and in the condition as delivered may be operated.

Make sure that the installation location is dry and that the pump is protected from rain, splash water, gushing water, dripping water and other contamination.

Check the tightness of the connections between the pipes of the application and the pump (or the connection of the pump) at regular intervals. Leaky connections carry the risk of releasing dangerous gases and vapors from the pump system.

## 2.5 Media

Requirements of pumped media

Before transferring a medium, check whether the medium can be transferred without risk in the specific application.

Take note of any change in the state of matter (condensation, crystallization).

Before using a medium, check the compatibility of the media-contacting components (see 3 *Technical data* [▶ 12]) with the medium.

Risk of dangerous gas mixtures during pump operation if diaphragm breaks: Depending on the medium being transferred, breakage of the diaphragm can result in a dangerous mixture if the medium mixes with the air in the compressor housing or the surroundings.

Only transfer gases that remain stable under the pressures and temperatures that arise in the pump.

Handling of hazardous media

Upon breakage of the diaphragm and/or leaks, the transferred medium mixes with the air in the surroundings and/or in the pump housing.

Make sure that a dangerous situation cannot arise as a result.

When pumping hazardous media, observe the safety regulations for the handling of said media.



- Handling of combustible media** Note that the pump is not designed to be explosion-proof.
- Make certain that the temperature of the medium is always sufficiently below the ignition temperature of the medium so as to prevent ignition or explosion. This also applies for abnormal operating situations.
- Note that the temperature of the medium increases when the pump compresses the medium.
- Therefore, make certain that the temperature of the medium also remains sufficiently below the ignition temperature of the medium even when it is compressed to the maximum permissible operating pressure of the pump. The maximum permissible operating pressure of the pump is stated in Chapter 3 *Technical data* [▶ 12].
- Make certain that the permissible ambient temperature (see 3 *Technical data* [▶ 12]) is not exceeded.
- Where applicable, also take into account external energy sources (such as radiated heat sources) that could additionally heat the medium.
- In case of doubt, contact KNF Customer Service.

## 2.6 Use

### 2.6.1 Proper use

The pumps are intended exclusively for transferring gases and vapors.

The pumps are intended exclusively for operation in indoor areas and in non-explosive atmospheres.

### 2.6.2 Foreseeable misuse

The pumps must not be operated in explosive atmospheres.

The pumps are not suitable for transferring the following:

- Dusts
- Liquids
- Aerosols
- Biological and microbiological substances

- Fuels
- Explosives and flammable materials
- Fibers
- Oxidizing agents
- Foodstuffs.

As standard, the pumps must not be used for simultaneous generation of a vacuum and positive pressure.

This function can be made possible on a project basis following consultation with KNF Customer Service.

Do not apply positive pressure to the inlet of the pump.

This function can be made possible on a project basis following consultation with KNF Customer Service.

## 2.7 Directives and standards

### EU/EC Directives **Declaration of incorporation – for partly completed machinery**

With respect to the Machinery Directive 2006/42/EC, the pumps are partly completed machinery and are, therefore, to be regarded as not ready for use. Partly completed machinery may not be commissioned until it has been determined that the machine into which the partly completed machinery is to be installed complies with the provisions of the Machinery Directive 2006/42/EC. The following fundamental requirements of Annex I of Directive 2006/42/EC (general principles) are applied and observed:

- General principles no. 1
- No. 1.1.2. / 1.1.3. / 1.3.1. / 1.3.3. / 1.3.4. / 1.4.1. / 1.5.1. / 1.5.2. / 1.5.8. / 1.5.9. / 1.7.4. / 1.7.4.1. / 1.7.4.3.

Standards The following standards apply:

- EN 60034-1
- EN IEC 55014-1/2
- EN IEC 61000-3-2
- EN 61000-3-3
- EN IEC 63000

The protective goals of the following directive(s) are achieved:

- Directive 2011/65/EU on the restriction of the use of certain hazardous substances in electrical and electronic equipment (Annex II changed by delegated Directive (EU) 2015/863 of the Commission)
- Directive 2014/35/EU on the harmonization of the laws of the Member States relating to the provision of electrical equipment for use within certain voltage limits on the market

## 2.8 Customer service and repair

Customer service and repairs

The pump is maintenance-free. However, KNF recommends periodic inspection of the pump for obvious changes in noise or vibration.

Only have repairs to the pumps performed by qualified KNF personnel.

Housings with electrically live components may only be opened by specialist personnel.

Use only genuine spare parts from KNF when performing servicing work.

## 2.9 Disposal

Environmental protection

Store the pump and all accessories in accordance with the environmental provisions. Observe national and international regulations. This applies in particular to parts that are contaminated with toxic substances.

If you no longer need your packaging materials (e.g. for return shipment or other transport of the device), dispose of them in an environmentally friendly manner.

Old devices must not be disposed of with household waste. Proper disposal and recycling helps to protect natural resources and the environment. The end user is responsible for disposing of old devices according to national and international regulations. Alternatively, KNF products (old devices) may also be returned to KNF for a fee (see chapter 11 *Returns* [▶ 46]).

## 3 Technical data

### 3.1 Technical data

#### Pump materials

Assembly	Material N922STE	Material N922SPE
Pump head	Stainless steel	Stainless steel
Diaphragm	PTFE-coated	EPDM
Reed valve	Stainless steel	Stainless steel
Valve limiter	Stainless steel	Stainless steel
O-ring	FPM	EPDM

Tab.5:

**Pneumatic values**

Parameter	Value N922STE		Value N922SPE	
	Max. permissible operating pressure [bar rel]	4.0		4.0
-Continuous operation	6.0		6.0	
-Intermittent operation				
Ultimate vacuum [mbar abs.]	≤ 110		≤ 110	
Flow rate at atm. pressure [l/min]*:	<b>50 Hz</b>	<b>60 Hz</b>	<b>50 Hz</b>	<b>60 Hz</b>
	21 ± 10%	24 ± 10%	22 ± 10%	25 ± 10%
Flow rate at max. permissible operating pressure [l/min]*				
	-4.0 bar rel	9.5 ± 10%	12 ± 10%	11.5 ± 10%
-6.0 bar rel	5 ± 10%	7 ± 10%	7 ± 10%	8.5 ± 10%

Tab.6: \*Liters in the standard state based on ISO 8778 and ISO 21360-1/2 (1000 hPa, 20°C)

### Electrical parameters

Parameter	Value	Value	Value	Value	Value
Voltage [V]*	100	115	220	230	230/400
Frequency [Hz]*	50/60	60	60	50	50/60
Power P <sub>1</sub> [W]	**	**	**	**	**
Current consumption [A]	**	**	**	**	**
Motor protection class	IP20				
Voltage tolerance	± 5%				

Tab.7: Electrical parameters N922S\_E IP20

\*For further voltage and frequency variants, see pump nameplate

\*\*See pump nameplate

**i** The motors have the insulation class F (+155°C).

**i** The capacitor motors are equipped with a self-resetting overtemperature switch.

The three-phase AC motors are equipped with PTC sensors which must be monitored by the customer.

### Pneumatic connections

Pump type	Value
N922S_E	EU: Thread size G1/4*
	US: Thread size NPT1/4*

Tab.8: \*Acc. to ISO 228

**Other parameters**

Parameter	Value
Permissible ambient temperature [°C]	+ 5 to + 60
Permissible media temperature [°C]	+ 5 to + 60
Gas tightness* of the pump head	$< 6 \times 10^{-3}$ mbar l/s
Relative air humidity	80% for temperatures to 31 °C, decreasing linearly to 50% at 40 °C (non-condensing).
Maximum installation altitude [m above sea level]	2000
Dimensions N922S_E (three-phase AC motor) N922S_E (capacitor motor)	See Fig. 3, Kapitel 6.1 <i>Installing the pump</i> [▶ 20] See Fig. 4, Chapter 6.1 <i>Installing the pump</i> [▶ 20]

*Tab.9: \*The gas tightness of the pump head is no longer ensured after the pump head is opened or after replacing diaphragm and valve plates/seals. A leak test can be used to determine whether the original gas tightness has been re-established.*

**Weight**

Parameter	Value N922STE	Value N922SPE
Weight [kg]	7.0	7.0

**Thermal switch**

**i** The motors are equipped standard with a thermal switch for monitoring against overheating.

## 4 Product description

### Design

- 1 Pump inlet
- 2 Pump outlet
- 3 Pump head
- 4 Motor
- 5 Capacitor (only capacitor motor)
- 6 Electrical terminal box

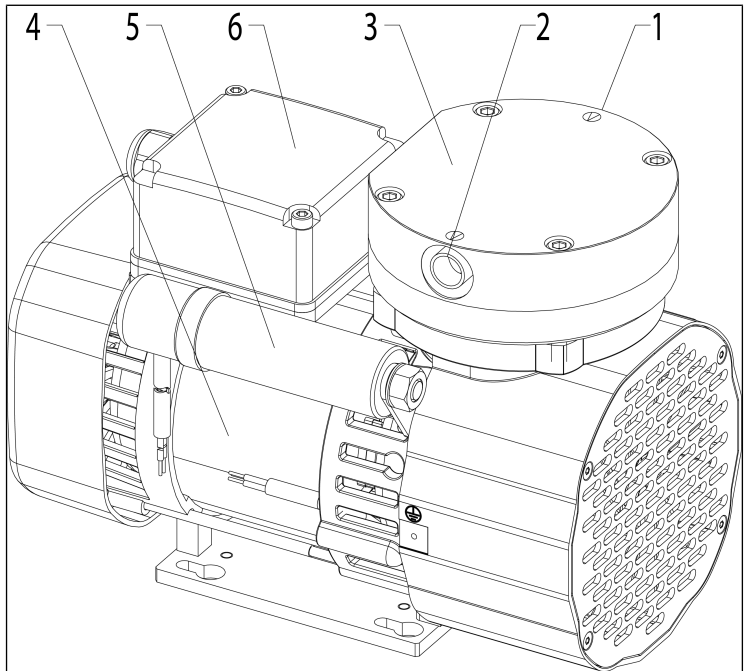
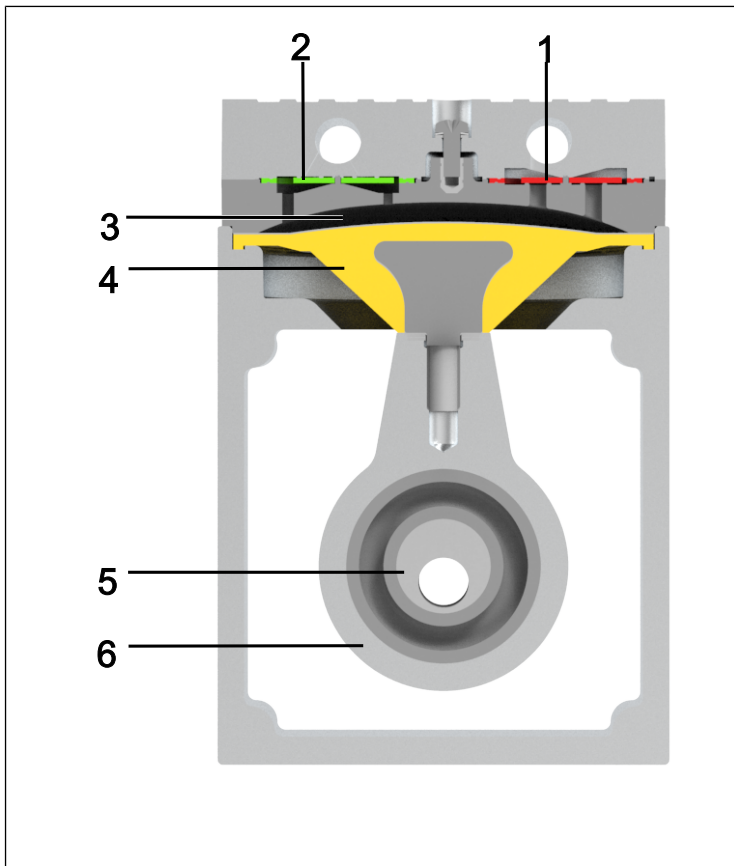


Fig.1: Diaphragm pump N922S\_E



## Function of a diaphragm pump

- 1 Outlet valve
- 2 Inlet valve
- 3 Transfer chamber
- 4 Diaphragm
- 5 Eccentric
- 6 Connecting rod



*Fig.2: Function of a diaphragm pump*

Diaphragm pumps transfer, compress (depending on the version) and evacuate gases and vapors.

The elastic diaphragm (4) is moved up and down by the eccentric (5) and the connecting rod (6). In the downwards stroke, it aspirates the gas to be transferred via the inlet valve (2). In the upwards stroke, the diaphragm presses the medium out of the pump head via the outlet valve (1). The transfer chamber (3) is separated from the pump drive by the diaphragm.

## 5 Transport

### General

---



Personal injury and/or property damage due to incorrect or improper transport of the pump

In the event of incorrect or improper transport, the pump can fall down, be damaged or injure persons.

- Use suitable auxiliary means if necessary (carrying strap, lifting gear, etc.).
  - Where appropriate, wear suitable personal protective equipment (e.g., safety shoes, safety gloves).
- 



Risk of injury from sharp edges on the packaging

There is a risk of injury from cutting on the sharp edges when grabbing corners or when opening the packaging.

- Where appropriate, wear suitable personal protective equipment (e.g., safety shoes, safety gloves).
- 

- Transport the pump in the original packaging to the installation location.
- Keep the original packaging of the pump (e.g. for later storage).
- Inspect the pump for transport damage after receiving it.
- Document any transport damage that has occurred.

→ Remove any transport safeguards on the pump prior to commissioning.

### Parameter

Parameter	Value
Storage temperature [°C]	+ 5 to + 40
Transport temperature [°C]	- 10 to + 60
Permissible humidity (non-condensing) [%]	30 to 85

Tab.10: Transport parameters and storage parameters



## NOTICE

Prior to commissioning, make sure that the pump has reached the ambient temperature (3 *Technical data* [▶ 12]).

## 6 Installation and connection

Only install the pumps in accordance with the operating parameters and conditions described in Chapter 3 *Technical data* [▶ 12].

- Observe the safety instructions (see Chapter 2 *Safety* [▶ 6]).



**DANGER**

Risk of dangerous gas mixtures during pump operation

Depending on the medium being transferred, breakage of the media-contacting components can result in a dangerous mixture if the medium mixes with the air in the compressor housing or the surroundings.

- Before using a medium, check the compatibility of the media-contacting components (see 3 *Technical data* [▶ 12]) with the medium.

---

### 6.1 Installing the pump

- Store the pump at the installation location to allow it to adapt to the ambient temperature before installation (condensation must not be allowed to form).

Mounting dimensions

- For mounting dimensions, see the following figures:

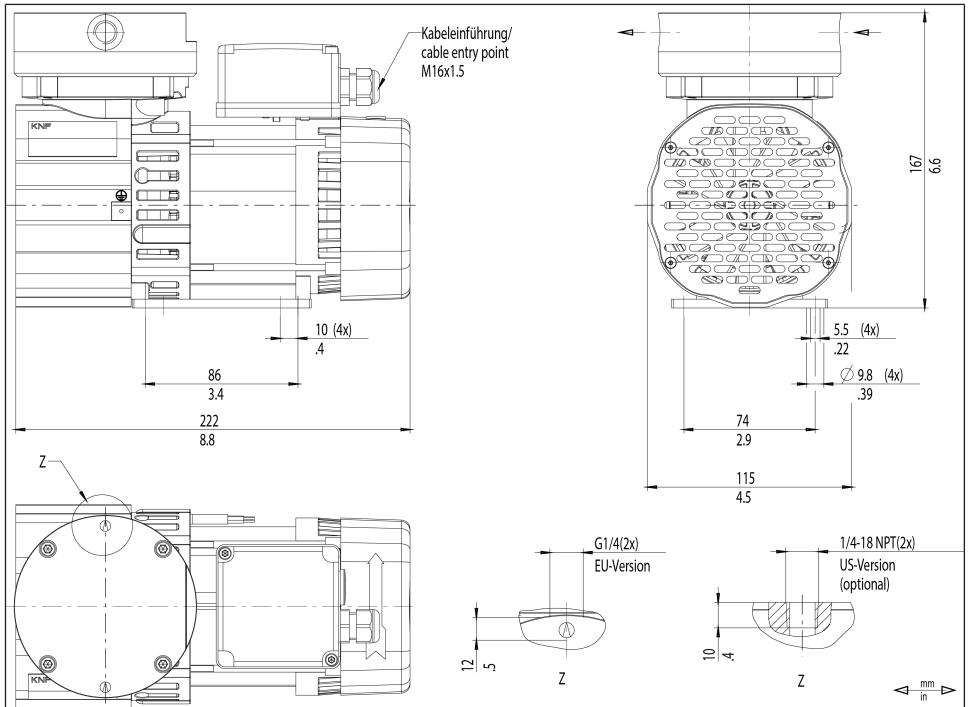


Fig. 3: Mounting dimensions N922S\_E (three-phase AC motor)

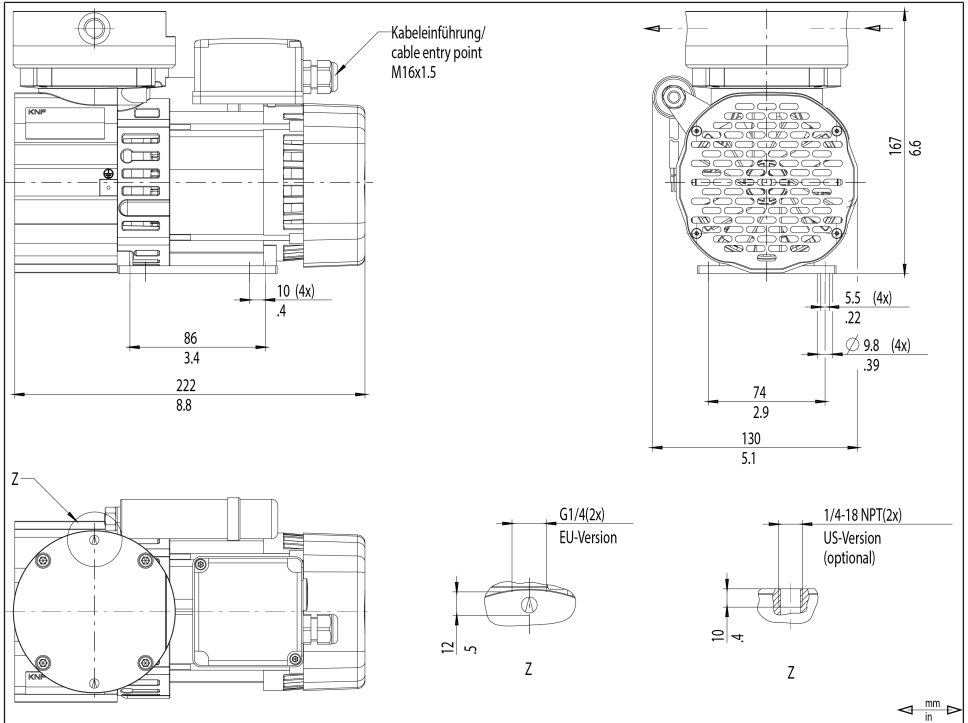


Fig. 4: Mounting dimensions N922S\_E (capacitor motor)

Cooling air supply



**WARNING**

Danger of burning on hot surfaces

Hot surfaces could occur if the pump overheats.

→ When installing the pump, make sure that sufficient cooling air in-feed and discharge is ensured.

Proximity to hot pump parts

→ During installation, make sure that no combustible or thermally deformable objects are positioned in proximity to hot pump parts (head, motor).

Installation location

→ Make sure that the installation location is dry and that the pump is protected from rain, spray water, splash water, dripping water and other contaminants.

- Make sure the installation location allows access for servicing.
  - i** The IP protection class of the pump motor is specified on the type plate.
  - Install the pump at the highest point in the system to prevent condensate from collecting in the pump head.
  - Protect the pump from dust.
  - Protect the pump from vibration and impact.
- Installation position
- The pump can be operated in any installation position. Use metal screws to fasten the pump at the indicated attachment points. Observe the specifications of the selected fasteners.

## 6.2 Electrical connection

---



**DANGER**

Danger to life from electric shock

- Only have the pump connected by an authorized specialist.
- Only have the pump connected if the power supply is disconnected.

- 
- When connecting to a power source, observe the applicable standards, regulations, directives, and technical standards.
  - The pumps have been developed, manufactured and tested for S1 operation. Additional operating modes can be made possible on a project-specific basis following consultation with KNF Customer Service.

→ Install a device for separating the pump motor from the electrical grid in the electrical installation (e.g. in accordance with EN 60335-1).

**i** Refer to the type plate for the maximum current consumption of the pump.

→ Install an Emergency Off device such that it is not possible for there to be an automatic restart or for hazardous situations to persons and property to occur.

→ Install the pumps in such a way that it is not possible to touch electrically live parts (electrical connection).

Fastening the  
connection ca-  
bles

→ Fasten the connection cables so that

→ the cables do not come into contact with movable or hot parts.

→ the cables cannot be worn or damaged on sharp corners or edges

→ no tensile and pressure forces are exerted on the connection point of the cables (strain relief)

### Connecting the pump

1. Confirm that the power supply meets the parameters listed on the pump type plate. Refer to the pump type plate for the rated current draw.
2. Electrically connect the pump.
3. Open the terminal box cover.
4. Connect the ground conductor to the pump motor.
5. For pumps with capacitor motors:  
Connect the electrical power cables to terminals L1 and N of the pump motor.
6. For pumps with three-phase motors:  
Connect the electrical power cables in accordance with Fig. 5 and Fig. 6.



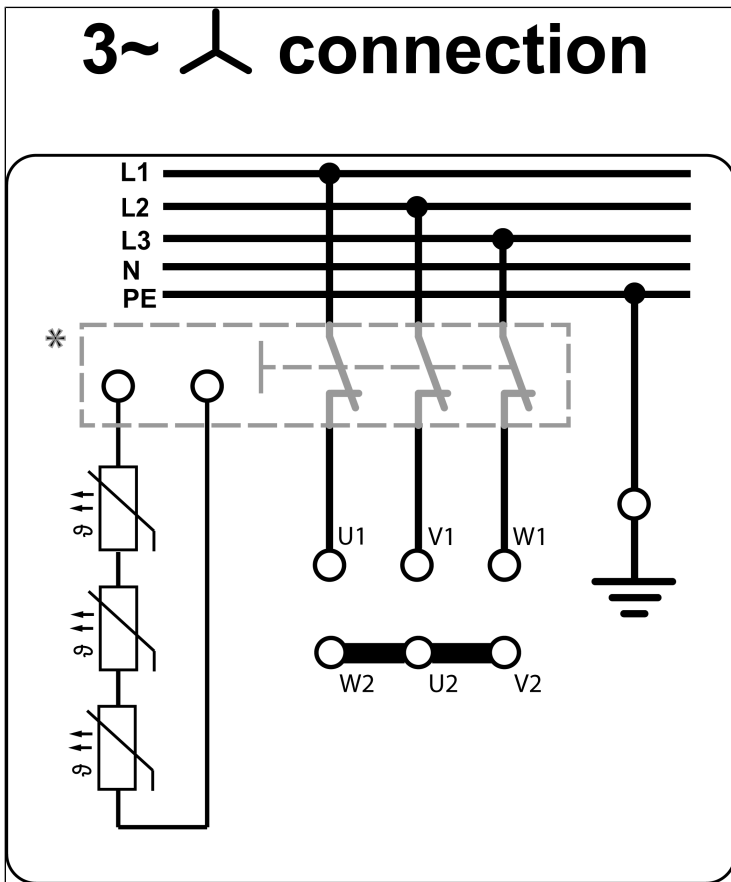


Fig. 5: Star connection (three-phase motor; high voltage)

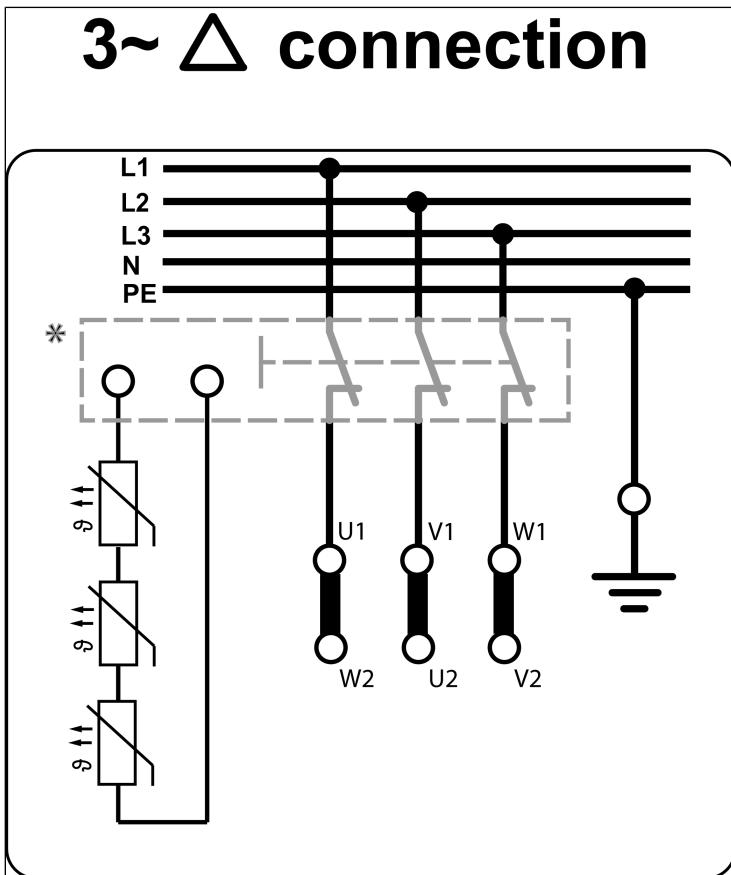


Fig. 6:  $\Delta$ -connection (three-phase motor; low voltage)

7. Close the terminal box cover again.

## 6.3 Pneumatic connection

---



Personal injury or property damage through ejected plugs

If not removed, the plugs on the outlet of the pump can be ejected during operation by the resulting overpressure.

→ Remove the plugs during installation.

→ Wear appropriate personal protective equipment.

---

- Connected components → Only connect components to the pump that are designed for the pneumatic data and thermal requirements of the pump. (see Chapter 3 *Technical data* [▶ 12]).
- Pump discharge → Discharge the possibly hot pump discharge at the pneumatic outlet of the pump safely (with regard to medium and noise).
- Decoupling → KNF recommends mechanically decoupling the pump from the pipe system, e.g., through the use of flexible hoses or pipes. In this way it is possible to prevent the transfer of possible pump vibrations and noises to the system.

## Connecting the pump

**i** A marking on the pump head indicates the flow direction.



### CAUTION

Risk of injury due to mixing up inlet and outlet

Mixing up the inlet and outlet may cause breakage of components connected at the inlet and outlet.

→ Observe the marking of inlet and outlet on the pump head.

- 
1. Remove the protective plugs from the hose connection threads.
  2. Connect the suction line and the pressure line (for mounting dimensions, see Chapter 3 *Technical data* [▶ 12]).
  3. Lay the suction line and pressure line with a descent so that no condensate can run into the pump.

**i** Pneumatic noises can be reduced or dissipated by using a silencer.

## 7 Operation

### 7.1 General

---



#### **WARNING**

Risk of burns from hot pump parts and/or hot medium

Some pump parts may be hot during or after operation of the pump.

- Allow the pump to cool after operation.
  - Take protective measures to protect against touching hot parts.
- 



#### **WARNING**

Injury to eyes

Coming too close to the inlet/outlet of the pump may result in injury to the eyes due to the present vacuum/operating pressure.

- Do not look into the pump inlet/outlet during operation.
- 

- Only operate the pumps under the operating parameters and operating conditions as described in Chapter 3 *Technical data* [▶ 12].
- Ensure the proper use of the pumps (See Chapter 2.6.1 *Proper use* [▶ 9]).
- Rule out the possibility of foreseeable misuse of the pumps (see chapter 2.6.2 *Foreseeable misuse* [▶ 9]).
- Observe the safety instructions (Chapter 2 *Safety* [▶ 6]).
- The pumps are built-in devices. Before they are commissioned, it must be ensured that the machines or systems into which the pumps are installed comply with the relevant provisions.



Risk of bursting of pump head due to excessive pressure increase

- Do not exceed the maximum permissible operating pressure (see 3 *Technical data* [▶ 12]).
- Monitor the pressure during operation.
- If the pressure exceeds the maximum permissible operating pressure of the pump: Switch the pump off immediately and remedy the malfunction (see Chapter 10 *Störung beheben* [▶ 42]).
- Only throttle or regulate the air or gas quantity on the inlet line to prevent the maximum permissible operating pressure from being exceeded.
- If the air quantity or gas quantity on the outlet line is throttled or regulated, make sure that the maximum permissible operating pressure at the pump is not exceeded.
- Ensure that the pump outlet is not closed or restricted.



Excessive pressure, with all of the associated hazards, can be prevented by means of a bypass line with a pressure relief valve between the outlet and inlet of the pump. Further information is available from KNF Customer Service (contact data: see [www.knf.com](http://www.knf.com)).



Risk of dangerous gas mixtures during pump operation if diaphragm breaks

If the diaphragm should break, the medium will mix with the air in the compressor housing or in the surroundings.

- Stop pump immediately.
- Replace the diaphragm prior to further operation (see Chapter 8 *Servicing* [▶ 33]).



Operation with open gas connection at the inlet can result in contaminants and objects being drawn in.

- Pump standstill → When the pump is at a standstill, establish normal atmospheric pressure in the lines.
- Vapors as medium    The service life of the diaphragm can be extended, if no condensate forms in the pump. Therefore:
- Perform any work with saturated or near-saturated vapors only with a warm pump.
  - KNF recommends: When pumping corrosive media, flush the pump before switching off (see Chapter 8.2.1 *Flushing the pump* [▶ 34]) to extend the service life of the diaphragm.

## 7.2 Information on switching the pump on and off

### Switching on the pump

- Ensure that normal atmospheric pressure is present in the lines when switching on.

### Switching off/decommissioning the pump

- Establish normal atmospheric pressure in the lines (relieve pump pneumatically).

Recommissioning

- Before recommissioning, observe the applicable standards, guidelines, regulations and technical standards at the electrical connection.

Inspecting the pump

- Inspect the pump periodically for external damage or leakage.



## 8 Servicing



### NOTICE

#### Servicing the pump

Damage to the pumps can result from failure to observe the applicable legal regulations and procedures for the location or intervention by untrained or uninstructed personnel.

- Servicing may only be performed according to the legal regulations (e.g. work safety, environmental protection) and provisions.
- Servicing may only be performed by specialized personnel or trained and instructed personnel.

### 8.1 Servicing schedule

Component	Maintenance interval
Pump	<ul style="list-style-type: none"> <li>→ Perform periodic inspections for external damage or leakage.</li> <li>→ Periodically check for noticeable changes to noises and vibrations.</li> </ul>
Gas connections	<ul style="list-style-type: none"> <li>→ Perform periodic inspections for external damage or leakage.</li> </ul>

Tab. 11:

## 8.2 Cleaning

### 8.2.1 Flushing the pump

When transferring dangerous and environmentally hazardous media, KNF recommends flushing the pump with air at atmospheric pressure for a few minutes prior to switch-off (if necessary for safety reasons: with an inert gas) to extend the service life of the diaphragm.

→ Discharge the media safely.

### 8.2.2 Cleaning the pump

Requirements → Pump disconnected from mains and voltage-free



**CAUTION**

Risk of burns from hot pump parts

The pump head or motor may still be hot after operation of the pump.

→ Allow the pump to cool after operation.



**WARNING**

Health hazard due to dangerous substances in the pump

Depending on the medium being transferred, caustic burns or poisoning is possible.

→ Wear protective equipment if necessary, e.g., protective gloves, goggles.

→ Clean the pump with suitable measures.

---



## NOTICE

During cleaning work, ensure that no fluids enter the interior of the housing.

- Only clean the pump with a dry wiping cloth. When cleaning, use no solvents if possible as these can affect the plastic parts.
- Only use solvents during cleaning if head materials are not corroded (ensure resistance of the material).
- If compressed air is available, blow out the components.

### 8.3 Changing the diaphragm, reed valve and valve limiter (ST design)

- Requirements
- Disconnect the drive from power and ensure that it is voltage-free.
  - Clean the pump and free the pump of hazardous materials.

Spare parts

Spare part*	Item designation**	Quantity
Diaphragm	(5)	1
Reed valve	(7)	2
Valve limiter	(8)	2
O-ring	(10)	2
O-ring	(11)	1
Slotted cap screw	(6)	2

Tab. 12: \*According to spare parts list, Chapter 9.1 Spare parts [▶ 41]

\*\*According to Fig. 7

Tool and material

Quantity	Tool/material
1	3 mm allen key
1	4 mm allen key
1	Screwdriver blade width 4.5 mm
1	Felt-tip pen

Tab. 13:

Information on the procedure Always replace the diaphragm, reed valve, valve limiter and O-ring together to maintain the performance of the pump.



Risk of burns from hot pump parts and/or hot medium

Some pump parts may be hot during or after operation of the pump.

- Allow the pump to cool after operation.
- Take protective measures to protect against touching hot parts.



Health hazard due to dangerous substances in the pump

Depending on the medium being transferred, caustic burns or poisoning is possible.

- Wear protective equipment if necessary, e.g., protective gloves, goggles.
- Clean the pump with suitable measures.

## Work steps

- i** The item numbers within the following work instruction refer to Fig. 7.
- i** Ensure the stable condition of the pump during all servicing work.

## Removing the pump head

1. Mark the position between the housing (1), intermediate plate (2) and head plate (3) with a continuous line made with a felt-tip pen to ensure proper mounting.
2. Removing the pump head:  
Loosen the four screws (4) and remove the head plate (3) and intermediate plate (2) from the pump housing.

## Replacing the diaphragm

1. Loosen the four Allen screws ( *Changing the diaphragm, reed valve and valve limiter (ST design)* [▶ 37]/2) of the housing cover ( *Changing the diaphragm, reed valve and valve limiter (ST design)* [▶ 37]/1) and remove the screws.
  2. Remove the housing cover ( *Changing the diaphragm, reed valve and valve limiter (ST design)* [▶ 37]/1).
- i** If easy removal of the housing cover is not possible, carefully lever out the housing cover using a screwdriver at the holes.
3. Move the connection rod (connection part between drive shaft and diaphragm) to top dead center.
  4. Hold the diaphragm (5) on the side edges and unscrew it counterclockwise.
  5. Check all parts for contamination and clean them if necessary (see Chapter Cleaning).
  6. Screw the new diaphragm (5) onto the diaphragm support clockwise and hand tighten.
- i** If the diaphragm is overtightened, there is risk of the PTFE coating detaching.
7. Move the connection rod (connection part between drive shaft and diaphragm) back to bottom dead center.

## Replacing the reed valve and valve limiter

1. Remove the four screws (4) from the pump head.
2. Separate the head plate (3) from the intermediate plate (2).  
  
**i** Carefully set down the head plate to so as not to damage its sealing edge.
3. Loosen the screws (6) and remove the reed valve (7) and valve limiter (8) from the intermediate plate (2).
4. Remove the O-rings (10 and 11) from the intermediate plate.
5. Check the valve seats, intermediate plate (2), head plate (3) and, if necessary, O-ring groove for contamination and damage. Clean the parts if necessary.  
Contact KNF in the event of unevenness, scratches or corrosion. Order and replace the damaged parts.
6. Insert the reed valves and valve limiters:  
Insert the new reed valves (7) and valve limiters (8) in the valve seats of the intermediate plate (2).  
  
**i** Make certain that the reed valves (7) and valve limiters (8) are placed symmetrically on the valve hole. Or use the valve position gauge (see 9.2 Accessories [▶ 41]).
7. Screw the screw (6) back in (tightening torque: 1.25 Nm).
8. Insert the new O-rings (10 and 11).
9. Place the head plate (3) on the intermediate plate (2) according to the locating pin (9) and the felt-tip pen marking.
10. Check the centering of the head plate (3) by means of a slight lateral movement.
11. Place the four screws (4) on the head plate (3) and intermediate plate (2).
12. Properly dispose of the replaced diaphragm, reed valves, valve limiter and O-ring.

## Fitting the pump head

1. Place the pump head on the housing according to the felt-tip pen marking.
2. Screw in the screws (4) and tighten them lightly cross-wise.

3. Check for ease of movement of the pump by turning the counterweight.
4. Tighten the screws (4) crosswise (tightening torque: 6 Nm).
5. Position the housing cover ( *Changing the diaphragm, reed valve and valve limiter (ST design)* [▶ 37]/1) and screw down with the four Allen screws ( *Changing the diaphragm, reed valve and valve limiter (ST design)* [▶ 37]/2) (tightening torque: 15 Ncm).

### Final steps

1. Reconnect the suction line and the pressure line to the pump.
2. Connect the pump to electrical power.
3. Checking the pump head (pump heads) and pneumatic connections for leaks:



### NOTICE

To ensure the required gas tightness of the pump following servicing, a leak test is to be performed.



### WARNING

Risk of injury and poisoning from leaks

- Before recommissioning the pump, check the pump heads and pneumatic connections for leaks. Leaks may lead to poisoning, chemical burns or similar injuries.

---

If you have questions with regard to maintenance, please contact your KNF technical adviser (contact data: see [www.knf.com](http://www.knf.com)).

- 1 Housing
- 2 Intermediate plate
- 3 Head plate
- 4 Screws
- 5 Diaphragm
- 6 Screws
- 7 Valve springs
- 8 Valve limiter
- 9 Locating pin
- 10 O-ring
- 11 O-ring

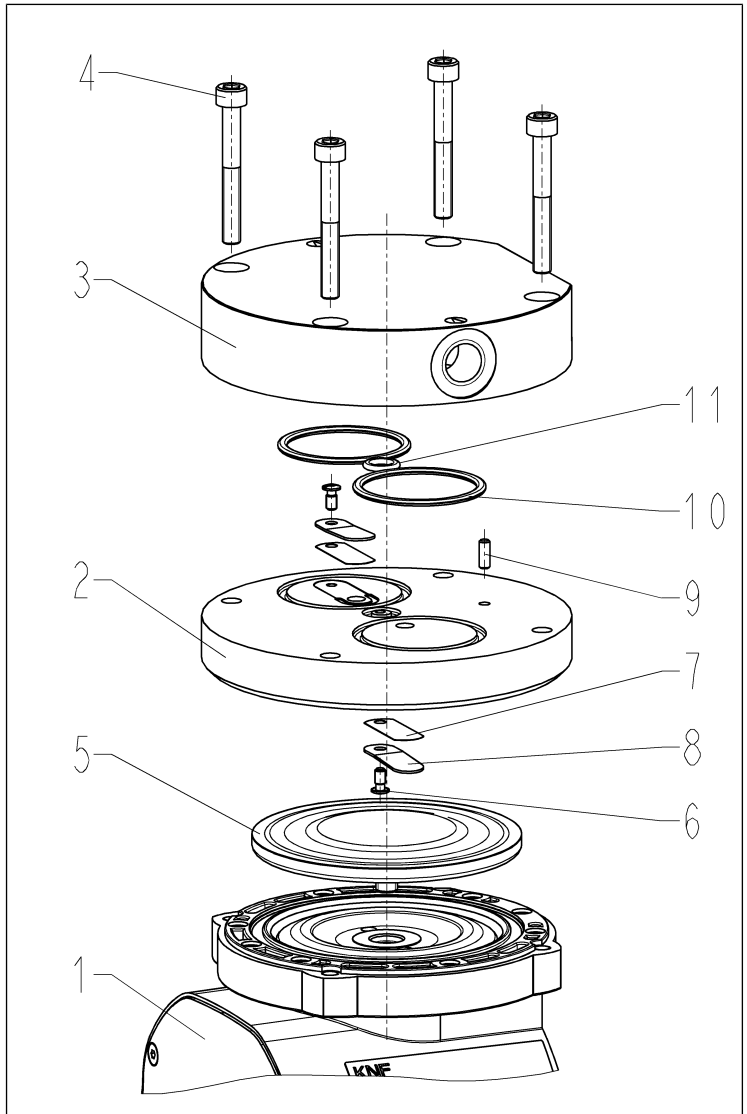


Fig.7: Pump parts



## 9 Spare parts and accessories

**i** To order spare parts and accessories, please contact your KNF sales partner or KNF Customer Service (contact data: see [www.knf.com](http://www.knf.com)).

### 9.1 Spare parts

#### Spare part set

A spare part set consists of:

Parts	Quantity
Diaphragm	1
Valve spring	2
Valve limiter	2
Slotted cheese head screw	2
O-ring (Ø 5.5 x 2)	1
O-ring (Ø 32 x 2)	2

Tab. 14:

Spare parts set	Order number
N922STE	328447
N922SPE	331313

Tab. 15:

### 9.2 Accessories

Accessories	Order number
Screw-in fitting, straight AD 10	317086
Screw-in fitting, angled AD 10	318946

Tab. 16:

## 10 Troubleshooting

---



Danger: electric shock can be life-threatening.

- All work on the pump may only be performed by an authorized specialist.
  - Before working on the pump: Disconnect the pump from the power supply.
  - Check and ensure that no voltage is present.
- 

- Allow the pump to cool before troubleshooting.
- Check the pump (see following tables).

<b>Pump not delivering</b>	
<b>Cause</b>	<b>Troubleshooting</b>
Pump is not connected to the electrical power supply.	→ Connect the pump to electrical power.
No voltage in the electrical power supply.	→ Check the circuit breaker for the room and switch it on if necessary.
Pneumatic connections or lines are blocked.	→ Check the connections and lines. → Remove the blockage.
External valve is closed or filter clogged.	→ Check external valves and filters.
Condensate has collected in the pump head.	→ Separate the source of the condensate from the pump. → Flush the pump with air at atmospheric pressure for a few minutes (if necessary for safety reasons: with an inert gas). → Install the pump at the highest location in the system.
Max. voltage range of motor exceeded.	→ Disconnect pump from electrical mains. → The applied voltage must not exceed the value specified in Chapter 6.2 <i>Electrical connection</i> [▶ 23].
Diaphragm and valves are worn or defective.	→ Replace diaphragm and valves (see Chapter 8 <i>Servicing</i> [▶ 33]).

Tab.17:

<b>Flow rate, pressure or vacuum too low</b>	
<b>The pump does not reach the performance stated in the technical data or data sheet.</b>	
<b>Cause</b>	<b>Troubleshooting</b>
Condensate has collected in the pump head.	<ul style="list-style-type: none"> <li>→ Separate the source of the condensate from the pump.</li> <li>→ Flush the pump with air at atmospheric pressure for a few minutes (if necessary for safety reasons: with an inert gas).</li> <li>→ Install the pump at the highest location in the system.</li> </ul>
There is overpressure on the pressure side and at the same time vacuum or pressure above atmospheric pressure on the suction side.	<ul style="list-style-type: none"> <li>→ Change the pneumatic conditions.</li> </ul>
Pneumatic lines or connection parts have insufficient cross-sections or are constricted.	<ul style="list-style-type: none"> <li>→ Disconnect the pump from the system to determine the output values.</li> <li>→ Eliminate any constriction (e.g. valve).</li> <li>→ Use lines or connection parts with a larger cross-section if necessary.</li> </ul>
Leaks occur at pneumatic connections, lines or pump head.	<ul style="list-style-type: none"> <li>→ Eliminate the leaks.</li> </ul>
Pneumatic connections or lines are partially or completely blocked.	<ul style="list-style-type: none"> <li>→ Check the pneumatic connections and lines.</li> <li>→ Remove any parts or particles that are causing blockages.</li> </ul>
Head parts are soiled.	<ul style="list-style-type: none"> <li>→ Clean the head components.</li> </ul>
Working diaphragm broken	<ul style="list-style-type: none"> <li>→ Stop the pump immediately.</li> <li>→ Change the diaphragm (see 8 Servicing [▶ 33]).</li> </ul>
Diaphragm and valves are worn or defective.	<ul style="list-style-type: none"> <li>→ Replace diaphragm and valves (see Chapter 8 Servicing [▶ 33]).</li> </ul>

Tab. 18:

<b>Pump exhibiting changed running noises and vibrations</b>	
<b>Cause</b>	<b>Troubleshooting</b>
Pump bearing worn or defective.	<p>→ Determine the cause.</p> <p>→ Contact KNF Customer Service.</p>

Tab. 19:

### **Fault cannot be rectified**

If you are unable to identify any of the specified causes, send the pump to KNF Customer Service (contact data: see [www.knf.com](http://www.knf.com)).

1. Flush the pump with air for a few minutes (if necessary for safety reasons: with inert gas) at atmospheric pressure to free the pump head of dangerous or aggressive gases (see Chapter 8.2.1 *Flushing the pump* [▶ 34]).
2. Clean the pump (see Chapter 8.2.2 *Cleaning the pump* [▶ 34]).
3. Send the pump together with completed Health and Safety Clearance and Decontamination Form to KNF, specifying the pumped medium.

# 11 Returns

## Preparing for return

1. Flush the pump with air for a few minutes (if necessary for safety reasons: with inert gas) at atmospheric pressure to free the pump head of dangerous or aggressive gases (see Chapter 8.2.1 *Flushing the pump* [▶ 34]).  
**i** Please contact your KNF sales partner if the pump cannot be flushed due to damage.
2. Remove the pump.
3. Clean the pump (see Chapter 8.2.2 *Cleaning the pump* [▶ 34]).
4. Send the pump together with the completed Health and Safety Clearance and Decontamination Form to KNF, stating the nature of the transferred medium.
5. Pack the device securely to prevent further damage to the product. If necessary, request original packaging for a fee.

## Returns

KNF shall undertake to repair the pump only under the condition that the customer presents a certificate regarding the medium that is pumped and the cleaning of the pump. In this case too, old devices can be returned. Please follow the instructions at [knf.com/repairs here](http://knf.com/repairs).

Contact your KNF sales partner directly if you require additional support for your return service.



KNF Neuberger GmbH  
Alter Weg 3  
79112 Freiburg  
Germany  
Tel. +49 (0)7664/5909-0

E-mail: [info.de@knf.com](mailto:info.de@knf.com)  
[www.knf.com](http://www.knf.com)

## **KNF worldwide**

You can find our local KNF partners at: [www.knf.com](http://www.knf.com)

