



## Chemically-resistant LABOPORT® Vacuum Systems with Separator, Condenser and Vacuum Controller

### Technical features:

- Maintenance-free
- Quiet operation
- Simple connection to line power and to the pneumatic system
- Environmentally friendly
- Automatic vacuum control
- Controlled recovery of solvents, with high-performance condenser at the pressure side
- Collection of particles in the system at the suction side
- Easy to expand or convert

### SC Systems, modular

The SC vacuum systems are equipped with the LABOPORT-series chemically-resistant diaphragm pump of your choice (refer to the table/overview "modular accessories"). SC systems include a vacuum controller for controlled vacuum processes. There is a wide range of applications for these vacuum systems in laboratories, whenever clean, constant vacuum is required.

The heart of the very compact LABOPORT pumps used in the vacuum systems is KNF structured diaphragm. This patented diaphragm was stress-optimized using the finite elements method. As a result, we were able to make the pumps smaller while increasing the service life of the diaphragm.

For laboratory applications, there is a wide variety of vacuum pumps with many different performance levels and various modular system components. The systems listed here are fully assembled at the factory. They can be converted quickly and easily; special tools are not required.

**Complete SC vacuum systems with: chemically-resistant diaphragm pump of your choice, base plate, separator (suction side), condenser (pressure side), vacuum controller with electrical supply unit, cabling and tubing ready to connect.**

System <sup>3)</sup>	Delivery (l/min) <sup>1)</sup>	Ultimate vacuum (mbar abs)	Operating pressure (bar g)	Motor ~115V/60Hz operating current (A)/ power P <sub>1</sub> (W) <sup>2)</sup>	Pneumatic connections for tube ID	Weight (kg)	Dimensions (LxHxW) (mm)	Built in pump type
<b>SC system comprising vacuum pump, base plate, condenser, separator, and a vacuum controller</b>								
SC 810	10	8	1	1.2/90	3/8 in.	13.6	397/289/506	N 810.3 FT.18
SC 820	20	8	1	1.4/120	3/8 in.	16	397/289/506	N 820.3 FT.18
SC 840	34	8	1	30/245	3/8 in.	19.3	417/289/506	N 840.3 FT.18
SC 842	34	2	1	30/245	3/8 in.	20.1	417/289/506	N 842.3 FT.18

<sup>1)</sup> at atm. pressure <sup>2)</sup> Motors with other voltages, frequencies on request

<sup>3)</sup> systems with single head pumps and lower vacuum on request

# Modular Vacuum Systems, Controlled Vacuum

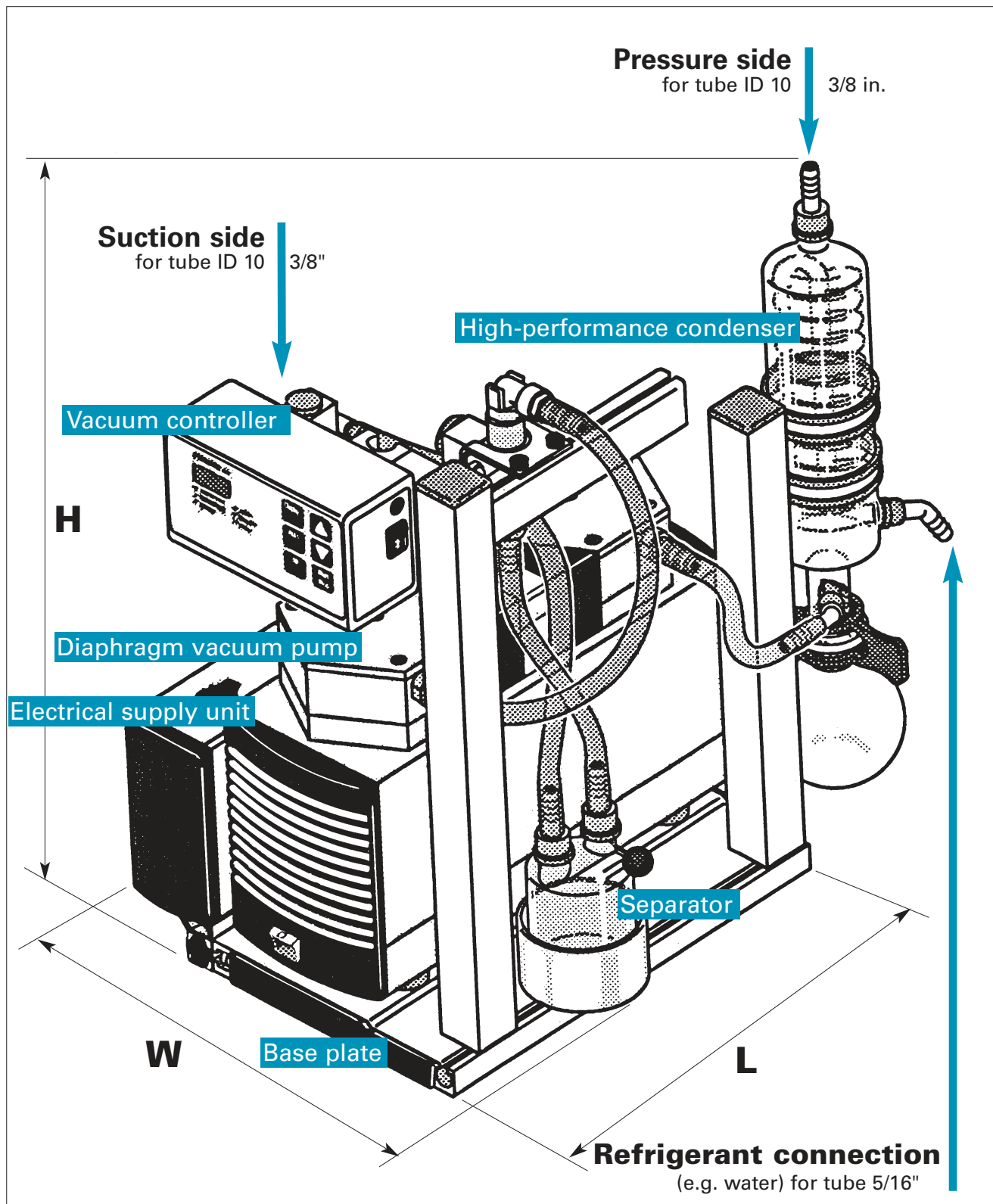
INNOVATIVE  
TECHNOLOGY  
WORLDWIDE



NEUBERGER

Dimensions (see table)

Data Sheet SC Systems



## Accessories

Order No.	Description	Details
045075	Coolant valve	G 1/2, 5/16"

KNF Neuberger Inc. • 2 Black Forest Road • Trenton, NJ 08691-1810 • 609-890-8600 • Fax: 609-890-8323 • www.knf.com