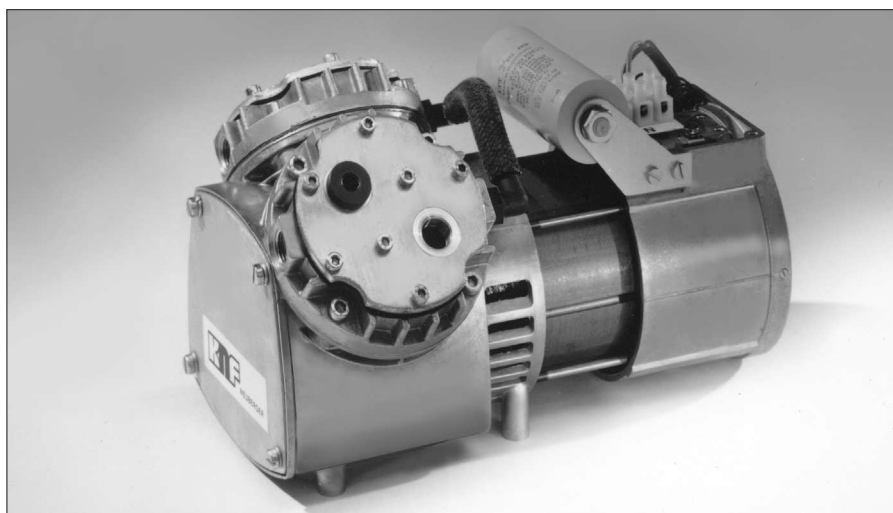


DIAPHRAGM VACUUM PUMPS AND COMPRESSORS

N026.1, N026.2, N026.3



N 026.1 ANE

Concept

The Diaphragm Vacuum Pumps from KNF are based on a simple principal - an elastic diaphragm, fixed on its edge, moves up and down its central point by means of an eccentric. In this way the medium is transferred using automatic valves.

Thanks to the KNF modular system, the parts used to transfer the gases can be made from materials with varying degrees of durability. The customer has a choice of pump drives ranging from a selection of motors to explosion-proof models. Please contact us for further details

Features

Pure transfer, evacuation and compression of air, gases and vapours

No contamination of the media due to oil-free operation

Maintenance-free

Corrosion resistant models

High level of gas tightness:
approx. 6×10^{-3} mbar x l/s (not tested in serial production)

Long product life

Very quiet and little vibration

Cool running motor
even when in constant use

Ready for assembly

Can operate in any installed position

Areas of use

The Diaphragm Vacuum Pumps offer a high level of performance despite their small size, as well as an excellent price performance ratio. They are required especially in the fields of analysis, medicine and production technology.

The pumps are used for transferring, compressing and sucking air, gases and vapours, taking samples (even liquids in a vacuum) and evacuating and compressing vessels.

PERFORMANCE DATA

Type	Delivery (l/min)	Vacuum (mbar abs.)	atm. Press.	Pressure (bar g)	Weight (kg)
N 026.1 ANE	39	100			5,6
N 026.2 ANE	39			2	5,6
N 026.3 ANE	22	20			5,6

N 026.1 ...

PERFORMANCE DATA

Type and Order No. ²⁾	Delivery at atm. pressure (l/min) ¹⁾	Max. operating pressure (bar g)	Ultimate vacuum (mbar abs.)
N 026.1 ANE	39	-	100
N 026.1 AVE	35	-	100
N 026.1 ATE	33.2	-	100
N 026.1 SNE	39	-	100
N 026.1 SVE	35	-	100
N 026.1 STE	33.2	-	100

¹⁾ Litre at STP

MOTOR DATA

Protection class	IP 20	IP 44	
Voltage/Frequencies (V/Hz)	~230/50	~230/50	
Power P ₁ (W)	170	180	
Operating current (A)	0.85	1.0	

Motors with other voltages, frequencies and protection classes on request.

MODEL CODES AND MATERIALS

Type and Order No. ²⁾	Pump head	Diaphragm	Valves
N 026.1 ANE	Aluminium	Neoprene	Stainless steel
For slightly aggressive and corrosive gases and vapours			
N 026.1 AVE	Aluminium	Viton	Stainless steel
N 026.1 ATE	Aluminium	PTFE-coated	Stainless steel
N 026.1 SNE	Stainless steel	Neoprene	Neoprene
N 026.1 SVE	Stainless steel	Viton	Viton
N 026.1 STE	Stainless steel	PTFE-coated	PTFE

²⁾ See also „MODEL CODES FOR EASY ORDERING“

N 026.2 ...

PERFORMANCE DATA

Type and Order No. ²⁾	Delivery at atm. pressure (l/min) ¹⁾	Max. operating pressure (bar g)	Ultimate vacuum (mbar abs.)
N 026.2 ANE	39	2	-
N 026.2 AVE	35	2	-
N 026.2 ATE	31.2	2	-
N 026.2 SNE	39	2	-
N 026.2 SVE	35	2	-
N 026.2 STE	31.2	2	-

¹⁾ Litre at STP

MOTOR DATA

Protection class	IP 20	IP 44	
Voltage/Frequencies (V/Hz)	~230/50	~230/50	
Power P ₁ (W)	170	180	
Operating current (A)	0.85	1.0	

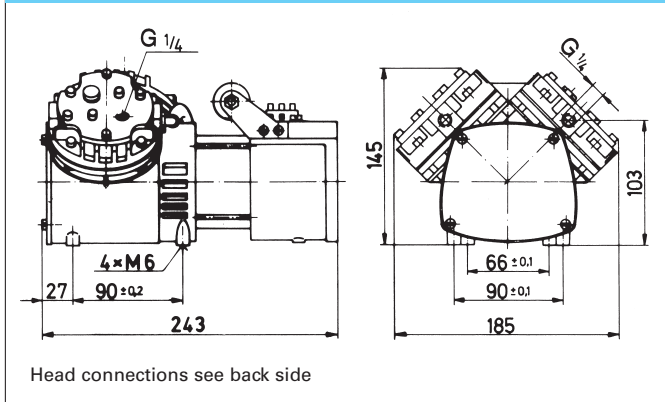
Motors with other voltages, frequencies and protection classes on request.

MODEL CODES AND MATERIALS

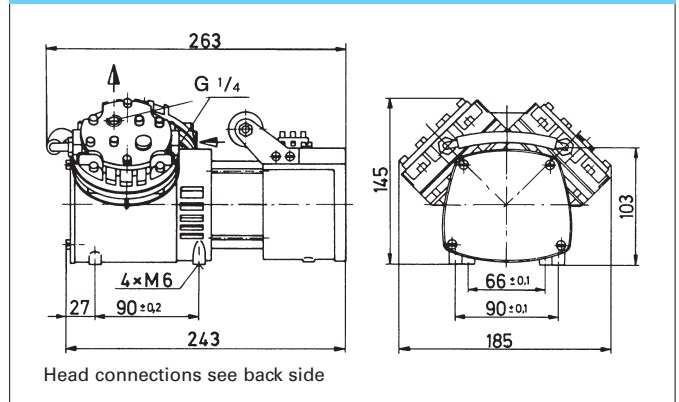
Type and Order No. ²⁾	Pump head	Diaphragm	Valves
N 026.2 ANE	Aluminium	Neoprene	Stainless steel
For slightly aggressive and corrosive gases and vapours			
N 026.2 AVE	Aluminium	Viton	Stainless steel
N 026.2 ATE	Aluminium	PTFE-coated	Stainless steel
N 026.2 SNE	Stainless steel	Neoprene	Neoprene
N 026.2 SVE	Stainless steel	Viton	Viton
N 026.2 STE	Stainless steel	PTFE-coated	PTFE

Dimensions (mm) with IP 20 motor (All dimensional tolerances conform to DIN ISO 2768-1, Tolerance Class V). Dimensions with IP 44 motor on request.

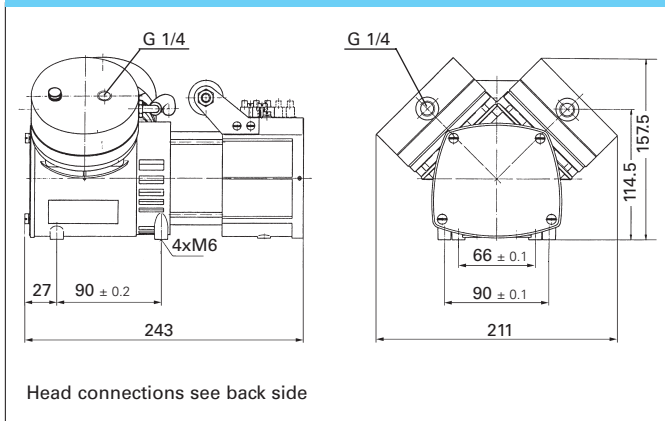
N 026.1 A_E (IP 20 motor)



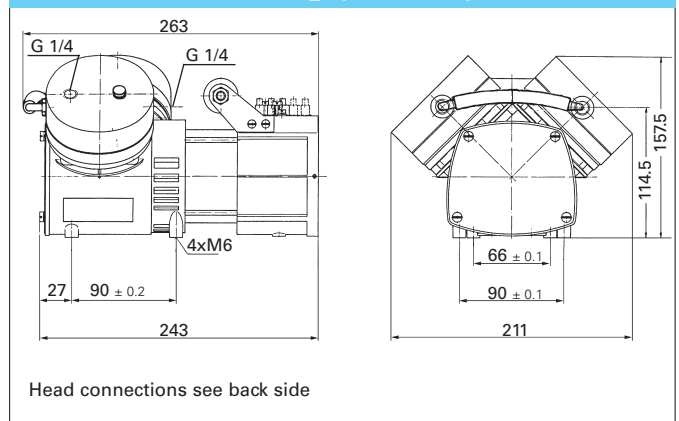
N 026.2 A_E (IP 20 motor)



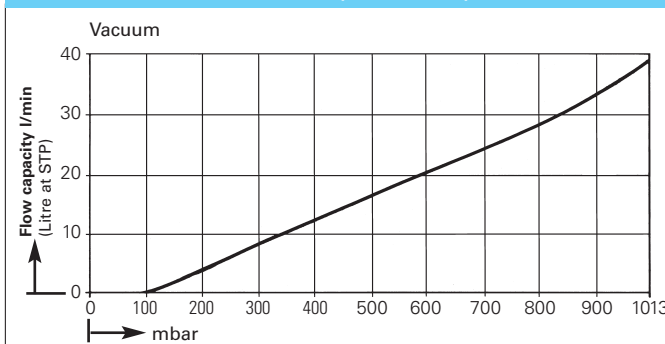
N 026.1 S_E (IP 20 motor)



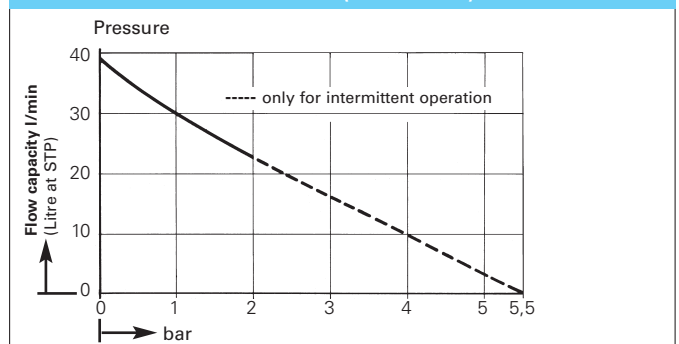
N 026.2 S_E (IP 20 motor)



N 026.1 ANE (IP 20 motor)



N 026.2 ANE (IP 20 motor)



N 026.3 ...

PERFORMANCE DATA

Type and Order No. ²⁾	Delivery at atm. pressure (l/min) ¹⁾	Max. operating pressure (bar g)	Ultimate vacuum (mbar abs.)
N 026.3 ANE	22	-	20
N 026.3 AVE	19.8	-	25
N 026.3 ATE	18.7	-	25
N 026.3 SNE	22	-	20
N 026.3 SVE	19.8	-	25
N 026.3 STE	18.7	-	25

¹⁾ Litre at STP

MOTOR DATA

Protection class	IP 20	IP 44	
Voltage/Frequencies (V/Hz)	~230/50	~230/50	
Power P ₁ (W)	170	180	
Operating current (A)	0.85	1.0	

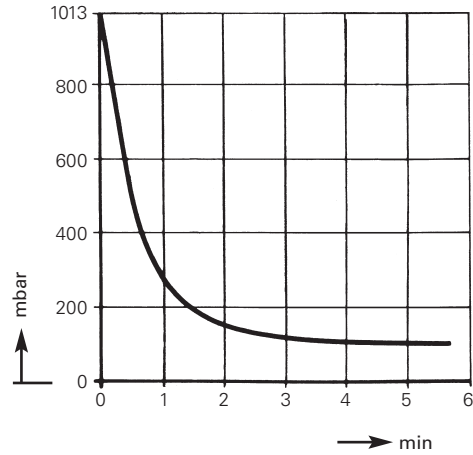
Motors with other voltages, frequencies and protection classes on request.

MODEL CODES AND MATERIALS

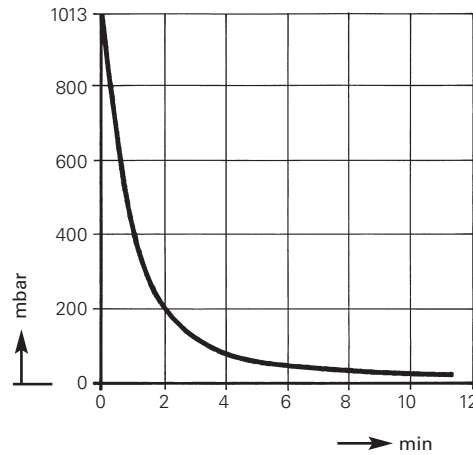
Type and Order No. ²⁾	Pump head	Diaphragm	Valves
N 026.3 ANE	Aluminium	Neoprene	Stainless steel
For slightly aggressive and corrosive gases and vapours			
N 026.3 AVE	Aluminium	Viton	Stainless steel
N 026.3 ATE	Aluminium	PTFE-coated	Stainless steel
N 026.3 SNE	Stainless steel	Neoprene	Neoprene
N 026.3 SVE	Stainless steel	Viton	Viton
N 026.3 STE	Stainless steel	PTFE-coated	PTFE

Pump down time for 20 l receiver

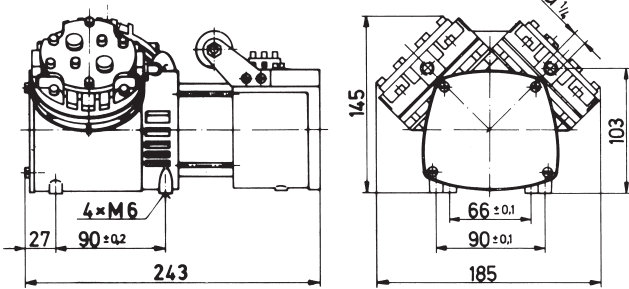
N 026.1 ANE



N 026.3 ANE

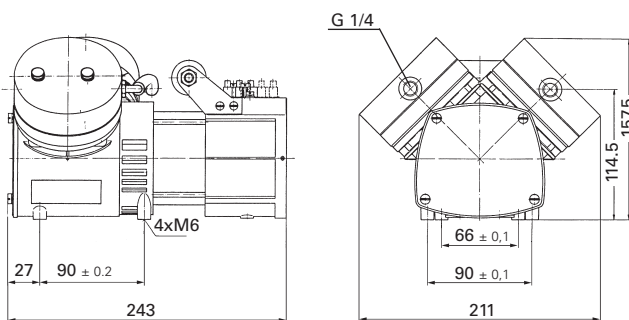


N 026.3 A_E (IP 20 motor)



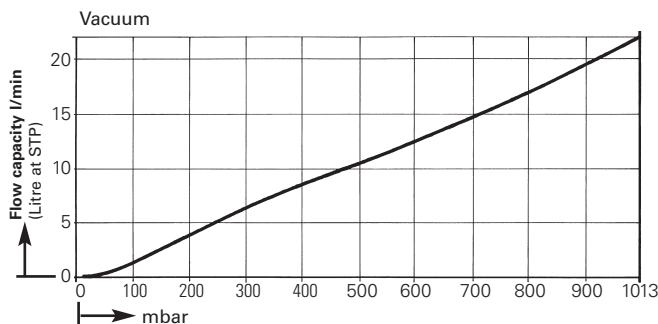
Head connections see back side

N 026.3 S_E (IP 20 motor)



Head connections see back side

N 026.3 ANE (IP 20 motor)



Hints on function, installation, accessories, head connections and service: see back side

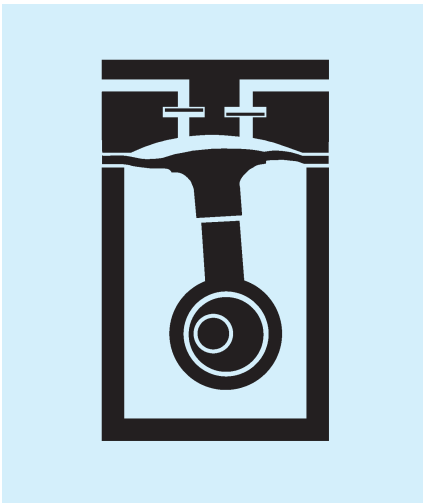
KNF - the competent partner for vacuum and compressor technology. Especially for unusual problems. Call us and talk to our application engineers.

HINTS ON FUNCTION, INSTALLATION AND SERVICE

FUNCTION OF KNF DIAPHRAGM VACUUM PUMPS AND COMPRESSORS

An elastic diaphragm is moved up and down by an eccentric (see illustration). On the down-stroke it draws the air or gas being handled through the inlet valve. On the up-stroke the diaphragm forces the medium through the exhaust valve and out of the head. The compression chamber is hermetically separated from the drive mechanism by the diaphragm. The pumps transfer, evacuate and compress completely oil-free.

Diaphragm pump

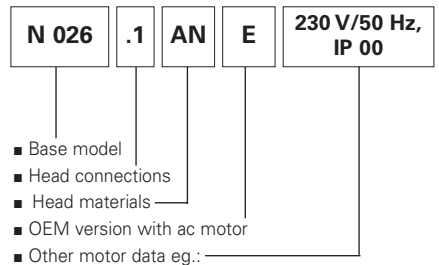


HINTS ON INSTALLATION AND OPERATION

- Range of use: Transferring air and gases at temperatures between +5°C and +40°C
- Permissible ambient temperature: between +5°C and +40°C
- The standard pumps are not suitable for use in areas where there is a risk of explosion. In these cases there are other products in the KNF program - please ask us for details
- The pumps are not designed to start against pressure or vacuum; when a pump is switched on the pressure in the suction and pressure lines must be atmospheric. Pumps that start against pressure or vacuum are available on request
- To prevent the maximum operating pressure being exceeded, restriction or regulation of the air flow should only be carried out in the suction line
- Components connected to the pump must be designed to withstand the pneumatic performance of the pump
- Install the pump so that the fan can draw in sufficient cooling air
- Fit the pump at the highest point in the system, so that condensate cannot collect in the head of the pump - that prolongs working-life.

MODEL CODE FOR EASY ORDERING

The model code is identical to the order number. It is made up as follows:



In addition the motor data must be given in the purchase order (voltage, frequency, and protection class). In our extensive program you are sure to find the pump you need for your particular application.

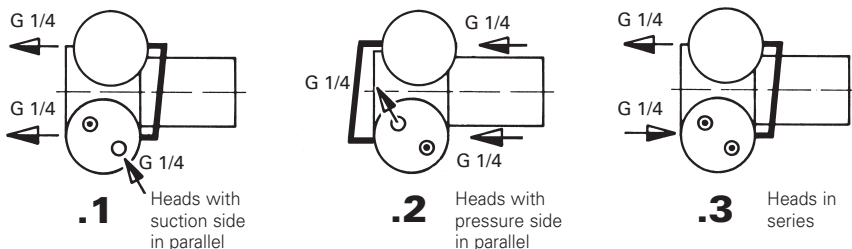
TECHNICAL DETAILS

Maximum permissible gas and ambient temperature: between +5°C and +40°C.

Option N 026_..9

Pump head guaranteed gas-tight: leakage rate less than 6×10^{-3} mbar x l/s in the material combinations AN, AV, SN, SV, ST.

Head connections



Accessories

Description	Order No.	Details
Silencer/filter	000352	G 1/4
Fine control valve, pressure side	011867	with pressure gauge
Fine control valve, suction side	011868	with vacuum gauge
Pressure relief valve	003074	2 bar for N 026.2
Hose connector	000362	G 1/4
Hose connector, stainless steel	020234	G 1/4
Connection box cover	008637	

HINTS ON SERVICE

The diaphragm and valves are the only parts of the KNF diaphragm pumps subject to wear. They are easy to change, as no special tools are needed.

If you have any questions, please call our application engineers (see below for contact telephone number).

KNF Neuberger GmbH Diaphragm Pumps + Systems

Alter Weg 3
D 79112 Freiburg
Tel. ++49 (0)7664/5909-0
Fax ++49 (0)7664/5909-99
www.knf.de
E-mail: info@knf.de



The KNF-Group worldwide

Germany

KNF Neuberger GmbH
Alter Weg 3
D-79112 Freiburg
Tel. +49 7664 5909 0
Fax +49 7664 5909 99
info@knf.de
www.knf.de

Benelux Netherlands

KNF Verder B.V.
Utrechtseweg 4a
NL-3451 GG Vleuten
Tel. +31 30 677 92 40
Fax +31 30 677 92 47
info@knf-verder.nl
www.knf-verder.nl

Benelux Belgium and Luxembourg

KNF Verder N.V.
Kontichsesteenweg 17
B-2630 Aartselaar
Tel. +32 3 871 96 24
Fax +32 3 871 96 28
info@knf.be
www.knf.be

China

KNF Neuberger Trading
(Shanghai) Co., Ltd.
No. 36 Lane 1000
Zhang Heng Road
Shanghai 201203
Tel. +86 21 6859 6566
Fax +86 21 6859 6568
info@knf.com.cn
www.knf.com.cn

France,

Marocco, Tunisia, Algeria

KNF Neuberger S.A.
4, Bld. d'Alsace Z.I.
F-68128 Village-Neuf
Tel. +33 389 70 35 00
Fax +33 389 69 92 52
info@knf.fr
www.knf.fr

United Kingdom

KNF Neuberger U.K., Ltd.
Avenue 2, Station Lane
Industrial Estate
Witney, Oxfordshire OX28 4FA
Tel. +44 1993 77 83 73
Fax +44 1993 77 51 48
info@knf.co.uk
www.knf.co.uk

India

KNF Pumps + Systems (India) Pvt. Ltd.
RAJIV GANDHI INFOTECH PARK,
Phase 1,
Ganga Estate, Survey No. 152/2/2,
Above AXIS BANK,
Hinjewadi, Pune 411 057
Tel. +91 20 640 13 923
+91 20 640 08 923
Fax +91 20 229 33 923
info@knfpumps.in
www.knfpumps.in

Italy

KNF ITALIA S.r.l.
Via Flumendosa, 10
I-20132 Milano
Tel. +39 02 272 03 860
Fax +39 02 272 03 848
info@knf.it
www.knf.it

Japan

KNF Japan Co.Ltd.
Across Shinkawa Bldg. Annex 3F,
1-16-14 Shinkawa, Chuo-ku,
Tokyo 104-0033
Tel. +81 3 3551 7931
Fax +81 3 3551 7932
info@knf.co.jp
www.knf.co.jp

Korea

KNF Neuberger Ltd.
Woosan Bldg.Rm#202
336-4, Hwikyung-Dong
Dongdaemun-Ku
130-090, Seoul
Tel. +82 2 959 0255
Fax +82 2 959 0254
knf@knfkorea.com
www.knfkorea.com

Sweden, Finland, Denmark, Norway

KNF Neuberger AB
Mejerivägen 4
P.O. Box 44060
SE-10073 Stockholm
Tel. +46 8 744 51 13
Fax +46 8 744 51 17
info@knf.se
www.knf.se

Switzerland Sales

KNF Neuberger AG
Stockenstrasse 6
CH-8362 Balterswil
Tel. +41 71 973 99 30
Fax +41 71 973 99 31
knf@knf.ch
www.knf.ch

Switzerland

Production Liquid Pumps
KNF FLODOS AG
Wassermatte 2
CH-6210 Sursee
Tel. +41 41 925 00 25
Fax +41 41 925 00 37
info@knf-flodos.ch
www.knf-flodos.ch

Switzerland

Production Micro Pumps
KNF Micro AG
Zelglimatte 1b
CH-6260 Reiden
Tel. +41 62 787 88 88
Fax +41 62 787 88 99
info@knf-micro.ch
www.knf-micro.ch

Taiwan

KNF Neuberger Ltd.
9F-2, No. 24, Lane 123, Section 6,
Min Chuan East Road
Neihu District
Taipei City, 11490
Tel. +886 2 2794 1011
Fax +886 2 8792 1648
knftwn@knftwn.com.tw
www.knftwn.com.tw

USA, Canada, South America

KNF Neuberger, INC.
Two Black Forest Road
Trenton, New Jersey 08691-1810
Tel. +1 609 890 8600
Fax +1 609 890 8323
knfusa@knf.com
www.knfusa.com
Latin America
Tel. +1 609 649 1010
gb@knf.com

Diaphragm Pumps + Systems



KNF Neuberger GmbH



KNF Neuberger, INC.



KNF Micro AG



KNF Neuberger S.A.



KNF FLODOS AG

The KNF-Production worldwide

Germany

KNF Neuberger GmbH
Freiburg-Munzingen

France

KNF Neuberger S.A.
Village-Neuf

Switzerland

KNF FLODOS AG
Sursee

Switzerland

KNF Micro AG
Reiden

USA

KNF Neuberger, INC.
Trenton - New Jersey